



# LED EBPN24-50W103sw-2



Class: LED Panel 2 ft. x 4 ft. Class

## Product Description

**LED** EBPN24-50W103sw-2 thoughtfully designed for superior illumination, ultimate efficiency, and easy installation, this 2x4 LED panel offers a larger driver for more space when wiring and a sturdy concave-convex backplate for no light leakage. Double-sided welding provides a seamless, polished frame and PMMA material guarantees perfect light output without the risk of yellowing. This troffer provides three wattage options, 30W/40W/50W on each unit, for a lumen output of either 3650lm/5000lm/6250lm, and offers three color temperature options: Soft White (3500K), Bright White (4000K), and Cool White (5000K).



**Estimated Energy Cost:**

- \$3.61 per year
- \$4.81 per year
- \$6.02 per year

\*Note: Design, features and specifications subject to change without notice. Some features may not be available on all models. For more information please visit: [www.eurilighting.com](http://www.eurilighting.com) or call 1-310-787-1100

Available only as a twin-pack.  
(EBPN24-50W103sw-2 contains 2 LED Panels.)

## Specifications

Input Power	Input Voltage	Lumen Output	Beam Angle	Center Beam	CCT
30/40/50 W	AC120-277V	3650/5000/6250 lm	110°	N/A	3500/4000/5000 K
CRI	Luminous Efficacy	Power Factor	Input Current	Base/Cap	Lamp Lifespan
80	125 lm/W	0.9	1.2 A	N/A	50,000 Hrs.

### Product Features



Dimmable



3 CCT Selectable

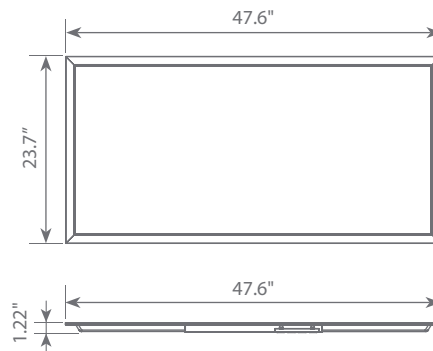


Easy and fast installation

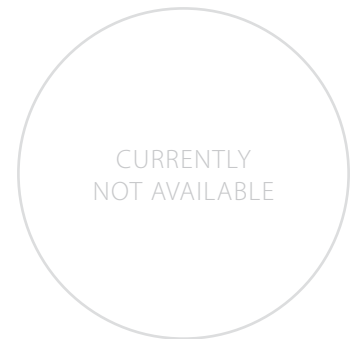


Damp Rated

### Product Dimensions



### Product Photometric Data



Euri Lighting | A Division of ITRONIX Inc.

20900 Normandie Avenue Bldg. B, Torrance, CA 90502 | Tel: 310.787.1100 | Fax: 310.787.1166 | [www.eurilighting.com](http://www.eurilighting.com)  
©2020 Euri Lighting. All Rights Reserved