

# LED EP30-11W6000es

Bulb Class: PAR30



## Product Description

**LED** EP30-11W6000es delivers superior brightness, valuable energy savings, and long-lasting performance. This PAR30 LED Short Neck bulb is ideal for ambient lighting or general-purpose applications due to its comfortable \*Soft white light (3000K) and replaces conventional 75 Watt incandescent light bulbs. Look for EP30-11W6020es for Warm White (2700K), EP30-11W6040es for Bright White (4000K) and EP30-11W6050es for Cool White (5000K). Enjoy features such as: Instant-on, dimming options, and mercury-free.



**Estimated Energy Cost:** \$1.32 per year

\*Note: Design, features and specifications subject to change without notice. Some features may not be available on all models. Please visit [www.eurilighting.com](http://www.eurilighting.com) or call 1-310-787-1100 for more information.

## Specifications

Input Power	Input Voltage	Lumen Output	Beam Angle	Center Beam	CCT
11 W	120V	850 lm	40°	N/A	3000 K
CRI	Luminous Efficacy	Power Factor	Input Current	Base/Cap	Lamp Lifespan
80	77.3 lm/W	0.7	0.13 A	E26	25,000 Hrs.

### Product Features



Dimmable

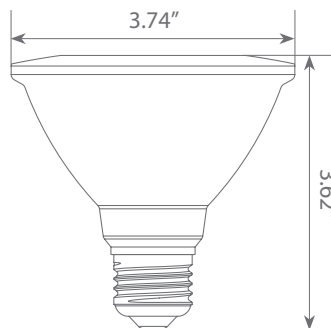


Energy Efficient

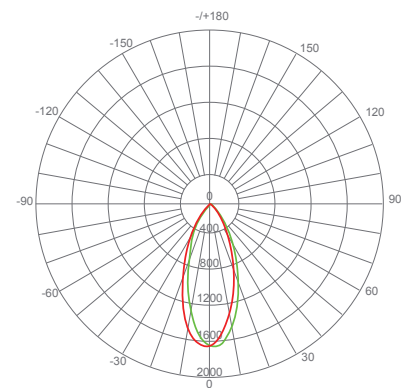


Damp Rated

### Product Dimensions



### Product Photometric Data



**Euri Lighting | A Division of IRTRONIX Inc.**



# LED EP30-11W6000es

## Recommended Dimmers by Brand

---

**LUTRON:** DV-603P 600W, CT-103P-WH 1000W, CTCL-153P-WH 600W, TGCL-153PH-WH 600W, TGCL-153PLH-WH 600W, DV-603PR 600W, MAW-600H-WH 600W, S-600PR-WH 600W, DVWCL-153PH-WH 600W, DVW-600PH-WH 600W, DV-600PH-WH 600W, TG-600PH-WH 600W, TG-600PH-IV 600W, CT-600PR-WH 600W, SCL-153P-WH 600W, DVCL-153PH 600W, DV-603PH-WH 600W, DVCL-153P-WH600W, D-600R-WH 600W, S-603PH-WH 600W, DVWCL-153PH-WHC, MACL-153M-WH, AYCL-153P-WH, S-600P-WH, MACL-153MR-WH, AYCL-153PH, DV-600P-WH, MACL-153MH-WH, DVCL-253PH, MSCL-OP153MH-WH, TGCL-153PH-WH, MACL-153MLH-WH, DVCL-153P-WH, MACL-153MLRH-WH, DVCL-153P-WH-3, MAELV-600-WH, PD-6WCL-WH-P, CTCL-153PDH-WH, CTCL-153PDH-WH.

**LEVITON:** 6684 600W, 6631-LA 600W, IPI06 600W, S-600P-WH, LIGHT ALMOND NO.6672 600W, 6631-A 600W, WHITE NO.IPL06 600W, WHITE NO.6674 600W, LIGHT ALMOND NO.6681 600W, 6683-10Z 600W, IPI06-1LZ 600W, WHITE NO.6631 600W, 6681.

**AH:** SDM3/1000/WHTE 1000W

**ALMOND:** LUXDM600-12 600W

**OLEGRAND:** RHCL453PW

**CTL:** DM600-12-3 600W