

# LED EP16-7W5020eG-2



Bulb Class: PAR16

## Product Description

**LED EP16-7W5020eG-2** delivers superior brightness, valuable energy savings, and long-lasting performance. This PAR16 LED bulb is ideal for ambient lighting or general-purpose applications due to its uniform \*Warm White Light (2700K) and replaces conventional 50 Watt incandescent light bulbs. Look for EP16-7W5000eG-2 for Soft White (3000K), EP16-7W5040eG-2 for Bright White (4000K), and EP16-7W5050eG-2 for Cool White (5000K).



Available only as a twin-pack.  
(EP16-7W5020eG-2 contains 2 LED Bulbs.)



**Estimated Energy Cost:** \$0.84 per year

\*Note: Design, features and specifications subject to change without notice. Some features may not be available on all models. Please visit [www.eurilighting.com](http://www.eurilighting.com) or call 1-310-787-1100 for more information.

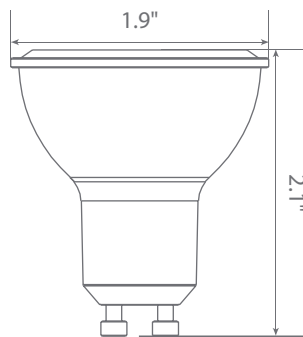
## Specifications

Input Power	Input Voltage	Lumen Output	Beam Angle	Center Beam	CCT
7 W	120V	500 lm	40°	N/A	2700 K
CRI	Luminous Efficacy	Power Factor	Input Current	Base/Cap	Lamp Lifespan
80	100 lm/W	0.7	0.07 A	GU10	25,000 Hrs.

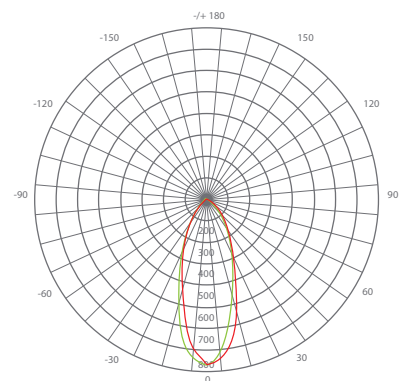
### Product Features

- Dimmable
- Energy Efficient
- Damp Rated

### Product Dimensions



### Product Photometric Data





# LED EP16-7W5020eG-2

## Recommended Dimmers by Brand

---

**LUTRON:** DV-603P 600W, LGCL-153CL 600W, DV-603PR 600W, S-600PR-WH 600W

**LEVITON:** 6631-LA 600W, IPI06 600W, S-600P-WH, LIGHT ALMOND NO.6672 600W, 603-6631-A 600W, 6631-A 600W

**GE:** 18024 600W

**ALMOND:** LUXDM600-12 600W

**CTL:** DM600-12-3 600W

**AH:** SDM3/1000/WHTE 1000W, SDM/600/WHTE 600W