

LED EPN22-2040s-4

Class: LED Panel 2 ft. x 2 ft. Class



Product Description

LED EPN22-2040s-4 thoughtfully designed for superior illumination, ultimate efficiency, and easy installation, this 2x2 LED panel offers a larger driver for more space when wiring and a sturdy concave-convex backplate for no light leakage. Double-sided welding provides a seamless, polished frame and PMMA material guarantees perfect light output without the risk of yellowing. Available in flicker-free Bright White (4000K), this fixture LED panel delivers 2500 lumens with just 20 watts.



Estimated Energy Cost: \$2.40 per year

*Note: Design, features and specifications subject to change without notice. Some features may not be available on all models. For more information please visit: www.eurilighting.com or call 1-310-787-1100

Available as a 4-pack.
(EPN22-2040s-4 contains 4 LED Panels.)

Specifications

Input Power	Input Voltage	Lumen Output	Beam Angle	Center Beam	CCT
20 W	AC100-277V	2500 lm	120°	N/A	4000 K
CRI	Luminous Efficacy	Power Factor	Input Current	Base/Cap	Lamp Lifespan
80	125 lm/W	0.9	0.6 A	N/A	50,000 Hrs.

Product Features



Dimmable



Flicker Free Driver

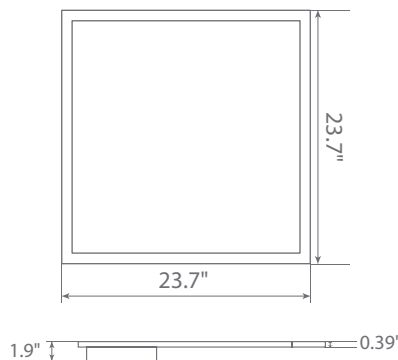


Easy and fast installation



Damp Rated

Product Dimensions



Product Photometric Data

