



LED EP30-11W5000cecs-2



Bulb Class: PAR30 (Short Neck)



Product Description

LED EP30-11W5000cecs-2 delivers superior brightness, valuable energy savings, long lasting performance and true color perception. These short neck PAR30 LED spot bulbs are ideal for task lighting due to its uniform *Soft white light (3000K) and replace conventional 75 Watt incandescent light bulbs. Enjoy features such as: Instant on, dimming options, energy efficient, 90+CRI, and damp rated.



Estimated Energy Cost: \$1.32 per year

*Note: Design, features and specifications subject to change without notice. Some features may not be available on all models. For more information regarding dimmer compatibility please visit: www.eurilighting.com or call 1-310-787-1100

Available only as a twin-pack.
(EP30-11W5000cecs-2 contains 2 LED Bulbs.)

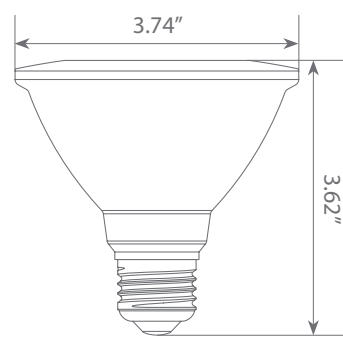
Specifications

Input Power	Input Voltage	Lumen Output	Beam Angle	Center Beam	CCT
11 W	120V/60Hz	975 lm	40°	N/A	3000 K
CRI	Luminous Efficacy	Power Factor	Input Current	Base/Cap	Lamp Lifespan
90	88 lm/W	0.7	0.1 A	E26	25,000 Hrs.

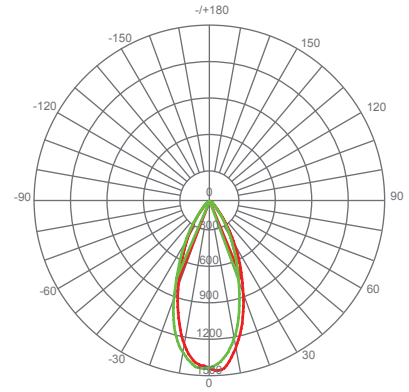
Product Features

- Dimmable
- Energy Efficient
- Wet Rated

Product Dimensions



Product Photometric Data



Euri Lighting | A Division of IRTRONIX Inc.

20900 Normandie Avenue Bldg. B, Torrance, CA 90502 | Tel: 310.787.1100 | Fax: 310.787.1166 | www.eurilighting.com
©2020 Euri Lighting. All Rights Reserved



LED EP30-11W5050cecs-2

Recommended Dimmers by Brand

LUTRON: DV-603P 600W, S-600 600W, CT-103-WH 1000W, CTCL-153P-WH 600W, TGCL-153PH-WH 600W, D-600PH-DK 600W, DVWCL-153PH-WH 600W, DV-603PH-WH 600W, DV-600PH-WH 600W, S-600H-WH 600W, S-10PH 1000W, D-600RH-DK 600W, TG-600PH-WH 600W, CT-600PR-WH 600W, SCL-153P-WH 600W, DVCL-153PH 600W, S-600-IV 600W, DVCL-153P-WH 600W, DVWCL-153PH-WHC, MACL-153M-WH, MACL-153MR-WH, AY-600PH-WH, AYCL-153PH, DV-600P-WH, MACL-153MH-WH, DVCL-253PH, MSCL-OP153MH-WH, MACL-153MLH-WH, DVCL-153P-WH, LECL-153PH-WH, DVCL-153P-WH-3, DVELV-303P-WH, MAELV-600-WH, DVCL-153PR-WH, CTCL-153PDH-WH

LEVITON: 6631-LA 600W, IPI06 600W, LIGHT ALMOND NO.6672 600W, WHITE NO.IPL06 600W, WHITE NO.6674 600W, LIGHT ALMOND NO.6681 600W, IPI06-1LZ 600W, WHITE NO.6631 600W

CTL: DM600-12-3 600W

MAXXIMA: MEW-DM600

LEGRAND: HCL453PTC