

DESCRIPTION

Accelerate the growth of your plants through their entire life cycle with this LED grow light fixture. This fixture is designed to deliver full spectrum light that targets specific spectrum ranges that promote optimal growth, peaking in colors that plants absorb the most of while reducing others.

FEATURES

- Blue spectrum light peaks at 450nm to promote healthy root development and strong plant growth during the vegetative stage
- 660 nm of red spectrum light promotes higher yield during flowering stages; 30% stronger than natural sunlight
- 960W MH or HPS Equivalent Photosynthetically Active Radiation (PAR)
- LEDs generate less heat than other types of grow lights, reducing the amount of heat in indoor grow rooms and allowing the lights to be closer to the plants
- Light intensity can be manipulated by adjusting the fixture height; see Mounting Heights section for recommended mounting heights with light intensity breakdown
- 0-10V dimming is controlled via a knob on the fixture; the fixture wattage varies depending on the level, see Dimming Levels section for more information
- Connect up to 4 fixtures in parallel; see installation instructions for more information
- Includes 120V plug adapter

LISTINGS

- ETL rated for damp locations
- IP42
- RoHS

PERFORMANCE

- CRI: >80
- PAR ($\mu\text{mol/s}$): 1248
- Luminous Efficacy ($\mu\text{mol/J}$): 2.6 ($\mu\text{mol/J}$)
- Rated lifetime L70: 50,000 hours

THERMAL

- -40°F to 122°F (-40°C to 50°C) operating temperature

PERFORMANCE SUMMARY

PERFORMANCE	Watts	480W
	Life Hours	50,000
	PAR ($\mu\text{mol/s}$)	1248
	Luminous Efficacy ($\mu\text{mol/J}$)	2.6
ELECTRICAL	THD	$\leq 20\%$
	Power Factor	≥ 0.9
	Input Voltage	120-277V
CONSTRUCTION	Material	Aluminum Alloy
	Finish	Silver
LISTINGS	Certifications	ETL Listed; IP42
	Material Usage	RoHS - No mercury or lead
	Environment	Damp Location Rated

project name	type
catalog number	
comments	voltage
approved by	date



ELECTRICAL

- THD: $\leq 20\%$
- Power Factor: ≥ 0.9
- Input Voltage: 120-277V
- Surge Protection: L/N-PE: 10kV, L-N: 5kV
- Dimmable power supply (0-10V)

INSTALLATION

- Designed for suspension mounting with included wire slings and rope hooks; see installation instructions for more information

CONSTRUCTION

- Aluminum alloy housing with silver finish

WARRANTY

- 5 year limited warranty; see pltsolutions.com for warranty details

APPLICATIONS

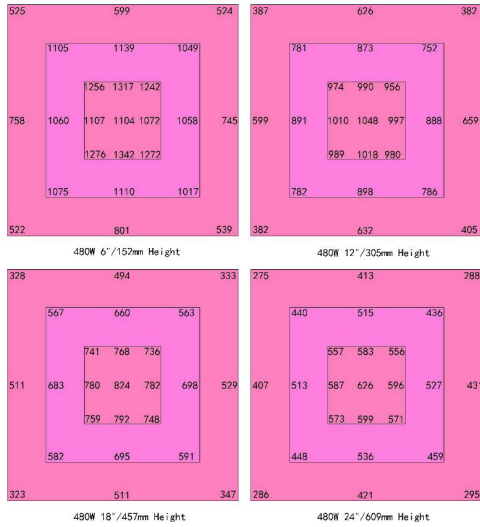
- Greenhouses
- Vertical Farming

DIMMING LEVELS

Level	25%	50%	75%	100%
Wattage	120W	240W	360W	480W

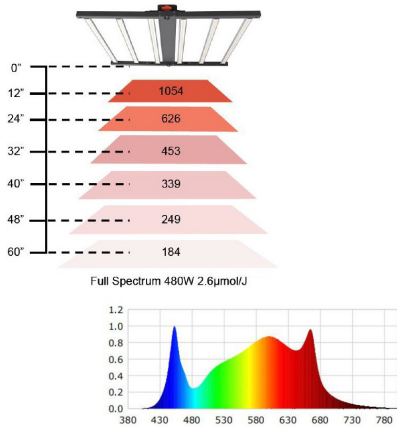
MOUNTING HEIGHTS

FULL SPECTRUM



SPECTRUM

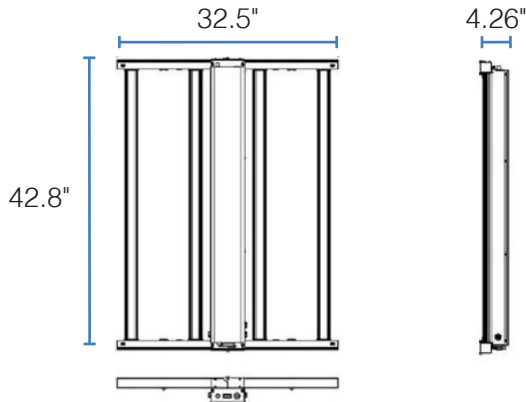
FULL SPECTRUM



Photometric Parameters
 Luminous Flux: 77021.70 lm
 Efficacy: 160.73 lm/W
 Radiant Power: 263.441 W
 EER: 0.08
 Energy Efficiency Class: A++ (EU 874-2012)
 PAR: 256.992 W
 PPF: 1.229.348 µmol/s
 R/B: 2.0
 PF1:194.273 µmol/s(400~500nm) PPF2:480.527 µmol/s(500~600nm)
 PF3:554.511 µmol/s(600~700nm) PPFr:40.556 µmol/s(700~800nm) PPE:2.565 µmol/s/w PF:1269.964 µmol/s

Electric Parameters
 Voltage: 276.60V
 Current: 1.8600A
 Power: 479.20W
 Power Factor: 0.9320
 Frequency: 60.00Hz

DIMENSIONS



DIMENSIONS

Length: 42.8"
 Height: 4.26"
 Width: 32.5"
 Weight: 23.2 lbs

PHOTOMETRICS

