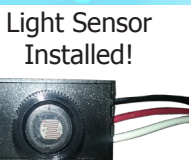




Power Failure Protection!

**Battery Back-Up Provides At Least 90 Minutes of
Emergency Light During Power Failures!**

**"Dusk to Dawn" LED Emergency Battery Back-Up Wall Pack Fixture
6125 Lumens with Light Sensor**

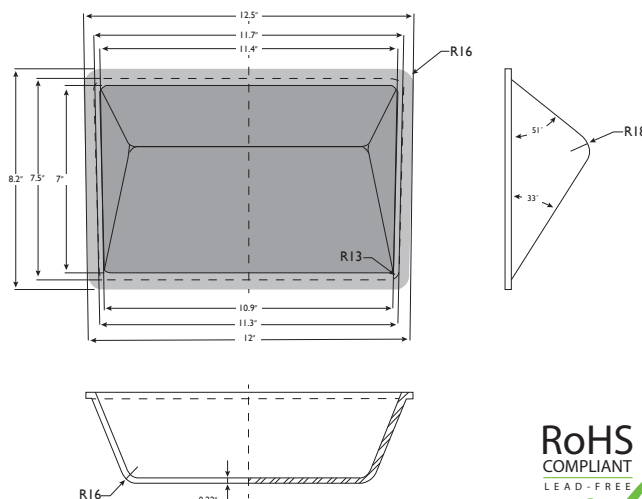


8.2"H x 12.5"W x 8.2"D

Model Number FLAWM35601.4LEM

Includes:

- Provides over 1600 lumens of emergency lighting for at least 90 minutes!
- 2 PCB LED modules, each with 50 Samsung LM281B+ LEDs, 80 CRI, 5000K, mounted to industrial grade aluminum LED Driver bracket.
- Single-Output Channel, Class 2 LED Driver, Model Number: AC-50CD1.4AF3



Warranty

* Fortified LEDs warrants to the purchaser that this fixture will be free from defects in material or workmanship for a period of 5 years from date of manufacture, when operated at a maximum ambient temperature of 131°F or 55°C, when properly installed and under normal conditions of use.

The warranty excludes damage resulting from improper installation or damage caused by fire or severe weather conditions including, but not limited to, lightning and storms. Evidence of direct exposure to water inside the fixture housing on the failed units due to improper installation voids the warranty.

Fixture Specifications:

(Under Normal Conditions)

Item	Specification
Driver Input Voltage	120-277V, 50/60 Hz
Fixture Lumens	6125
Fixture Efficacy	154.3 lm/W
Fixture IP Rating	65
Driver Input Power	46W
Driver Output Power	39.7W
Driver Output Voltage	22-36V
Driver Output Current	1.4A
Driver Efficiency	86%
Driver Operating Temperature	55°C
Fixture Dimensions/Weight	8.2"H x 12.5"W x 8.2"D /7lbs

Fixture Specifications:

(Under Emergency Conditions)

Item	Specification
Driver Input Voltage	120-277V, 50/60 Hz
Fixture Lumens	1665
Fixture Efficacy	184.9 lm/W
Driver Input Power	10W
Driver Output Power	10W
Driver Output Voltage	15-55V
Driver Output Current	350mA
Battery Specifications	LiFePO4, Lithium-Ion
Emergency Operating Time	Minimum 90 Minutes
Ambient Operating Temperature	-20°C through 55°C