



Power Failure Protection!

**Battery Back-Up Provides At Least 90 Minutes of
Emergency Light During Power Failures!**

**"Dusk to Dawn" LED Emergency Battery Back-Up Wall Pack Fixture
3675 Lumens with Light Sensor**



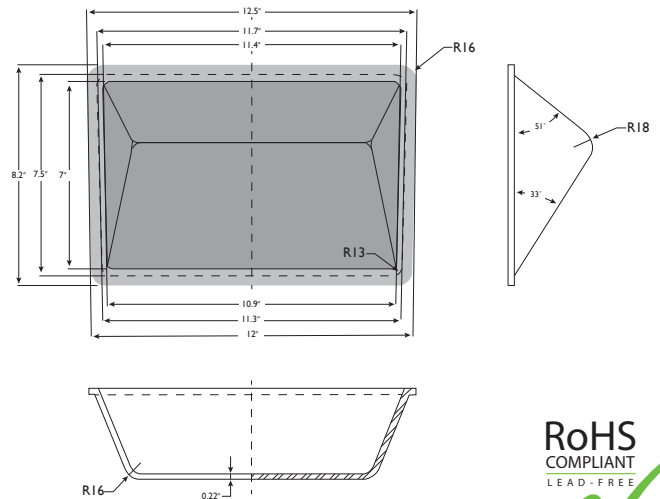
Light Sensor
Installed!



8.2"H x 12.5"W x 8.2"D

**Model Number FLAWM35361.0LEM
Includes:**

- Provides over 1600 lumens of emergency lighting for at least 90 minutes!
- 1 PCB LED module with 60 Samsung LM281B+ LEDs, 80 CRI, 5000K, mounted to industrial grade aluminum LED Driver bracket.
- Single-Output Channel, Class 2 LED Driver, Model Number: AC-40CD1.05ATSD.



Warranty

* Fortified LEDs warrants to the purchaser that this fixture will be free from defects in material or workmanship for a period of 5 years from date of manufacture, when operated at a maximum ambient temperature of 131°F or 55°C, when properly installed and under normal conditions of use.

The warranty excludes damage resulting from improper installation or damage caused by fire or severe weather conditions including, but not limited to, lightning and storms. Evidence of direct exposure to water inside the fixture housing on the failed units due to improper installation voids the warranty.

**Fixture Specifications:
(Under Normal Conditions)**

Item	Specification
Driver Input Voltage	120-277V, 50/60 Hz
Fixture Lumens	3675
Fixture Efficacy	154.3 lm/W
Fixture IP Rating	65
Driver Input Power	28W
Driver Output Power	23.8W
Driver Output Voltage	22-38V
Driver Output Current	700mA
Driver Efficiency	85%
Driver Operating Temperature	55°C
Fixture Dimensions/Weight	8.2"H x 12.5"W x 8.2"D /7lbs

**Fixture Specifications:
(Under Emergency Conditions)**

Item	Specification
Driver Input Voltage	120-277V, 50/60 Hz
Fixture Lumens	1680
Fixture Efficacy	176.2 lm/W
Driver Input Power	10W
Driver Output Power	10W
Driver Output Voltage	15-55V
Driver Output Current	300mA
Battery Specifications	LiFePO4, Lithium-Ion
Emergency Operating Time	Minimum 90 Minutes
Ambient Operating Temperature	-20°C through 55°C