

# LED EP38-20W6041e

Bulb Class: PAR38

**4000K**  
CCT



## Product Description

**LED** EP38-20W6041e delivers superior brightness, valuable energy savings, and long-lasting performance. This PAR38 LED Long Neck bulb is ideal for ambient lighting or general-purpose applications due to its comfortable \*Bright white light (4000K) and replaces conventional 150 Watt incandescent light bulbs. Look for EP38-20W6001e for Soft White (3000K), EP38-20W6021e for Warm White (2700K) and EP38-20W6051e for Cool White (5000K). Enjoy features such as: Instant-on, dimming options, and mercury-free.



**Estimated Energy Cost:** \$2.40 per year

\*Note: Design, features and specifications subject to change without notice. Some features may not be available on all models. Please visit [www.eurilighting.com](http://www.eurilighting.com) or call 1-310-787-1100 for more information.

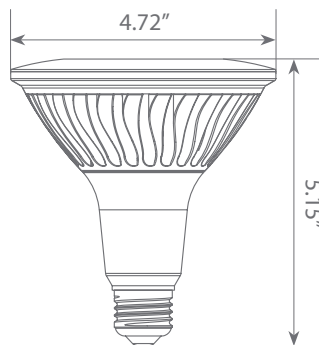
## Specifications

Input Power	Input Voltage	Lumen Output	Beam Angle	Center Beam	CCT
20 W	120V	1700 lm	45°	N/A	4000 K
CRI	Luminous Efficacy	Power Factor	Input Current	Base/Cap	Lamp Lifespan
80	85 lm/W	0.7	0.18 A	E26	25,000 Hrs.

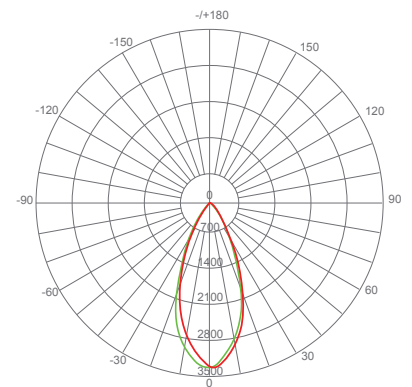
### Product Features

-  Dimmable
-  Energy Efficient
-  Damp Rated

### Product Dimensions



### Product Photometric Data





## LED EP38-20W6041e

### Recommended Dimmers by Brand

---

**LUTRON:** DV-603P 600W, CT-103P-WH 1000W, TGCL-153PLH-WH 600W, MAW-600H-WH 600W, S-600PR-WH 600W, DVWCL-153PH-WH 600W, DVW-600PH-WH 600W, S-600H-WH 600W, D-600RH-DK 600W, TG-600PH-WH 600W, CT-600PR-WH 600W, SCL-153P-WH 600W, D-600R-WH 600W, S-600-IV 600W, D-600R-IV 600W, DVWCL-153PH-WHC, MACL-153M-WH, AYCL-153P-WH, AY-600PH-WH, DV-600P-WH, DVCL-253PH, MSCL-OP153MH-WH

**LEVITON:** 6631-LA 600W, LIGHT ALMOND NO.6672 600W, 6631-A 600W, WHITE NO.IPL06 600W, WHITE NO.6674 600W, 6683-10Z 600W

**AH:** SDM3/1000/WHTTE 1000W, SDM/600/WHTTE 600W

**COOPER:** DAL06P-C2-K, TAL06P-C2-K

**ALMOND:** LUXDM600-12 600W

**LEGRAND:** HCL453PTC

**CTL:** DM600-12-3 600W