

DESCRIPTION

Reduce energy and replacement costs by retrofitting existing recessed cans with these 5 to 6 inch LED downlights.

FEATURES

- Energy efficient replacement for 65W incandescent downlights
- Medium (E26) base adapter
- Can be used in both IC and Non-IC rated housings
- Dimmable; see dimmer compatibility sheet for full list of compatible dimmers

LISTINGS

- UL Listed for damp locations
- IC Rated
- FCC
- RoHS

PERFORMANCE

- CRI: 80
- CCT: 4000K
- Rated Lifetime L70: 35,000 hours

ELECTRICAL

- Power Factor: 0.7
- Input Voltage: 120V

CONSTRUCTION

- Plastic body with aluminum trim, both with white finish
- Frosted plastic lens

WARRANTY

- 3 year limited warranty; see pltsolutions.com for warranty details

project name	type
catalog number	
comments	voltage
approved by	date



APPLICATIONS

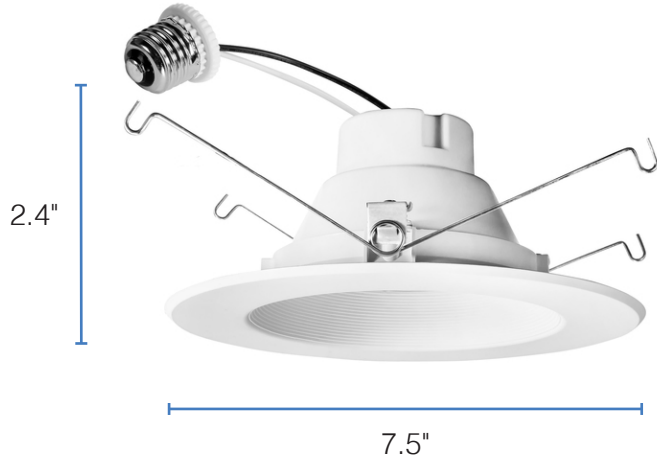
- Offices
- Lobbies

PERFORMANCE	Power Consumption	11 Watt
	Lumens	750
	Efficacy (LPW)	68
	CRI	80
	CCT	4000K
	Life (L70)	35000
ELECTRICAL	Power Factor	0.7
	Input Voltage	120V
CONSTRUCTION	Base	E26
	Finish	White
	Lens	Plastic
LISTINGS	Certifications	UL Listed
	Material Usage	RoHS – No mercury or lead
	Environment	Damp Location Rated

PERFORMANCE SUMMARY

Item #	Size	Lumens	Wattage	LPW	Voltage	Replaces	CCT	CRI	Life/Hours	Dimmable
PLTS-12005	5-6"	750	11	68	120V	65W Incan.	4000K	80	35000	Yes

DIMENSIONS



DIMENSIONS

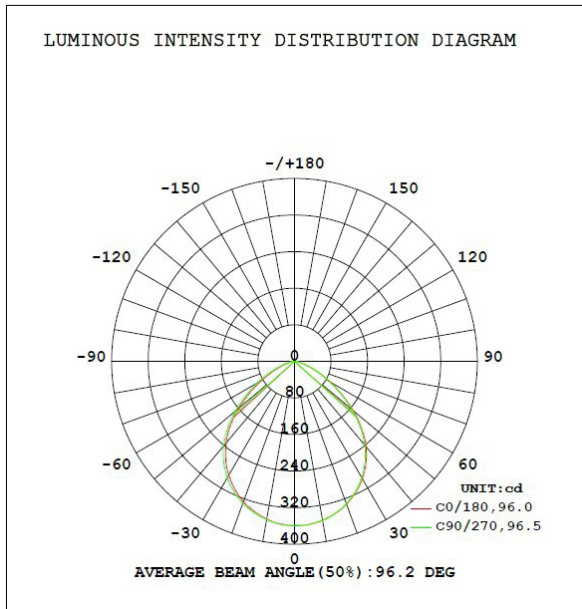
Outside Diameter: 7.5"

Inside Diameter: 3.62"

Height: 2.4"

Weight: 0.48 lbs.

PHOTOMETRICS



WARNINGS

- Only use this LED downlight with the dimmers listed in the compatibility list. Using this downlight with incompatible dimmers may cause performance issues including humming, buzzing, flickering, and poor dimming performance.
- Minimum compartment dimensions for 5 inch cans are 5.6" in diameter by 7.7" in height.
- Minimum compartment dimensions for 6 inch cans are 6.4" in diameter by 7.3" in height.