



# LED VAPOR TIGHT FIXTURE

## WARNING, CAUTION, SAFETY AND INSTALLATION INSTRUCTIONS

### WARNING

- Installation, service, and maintenance of luminaries should be performed by a qualified licensed electrician.
- Specifications and dimensions are subject to change without notice.

### CAUTION

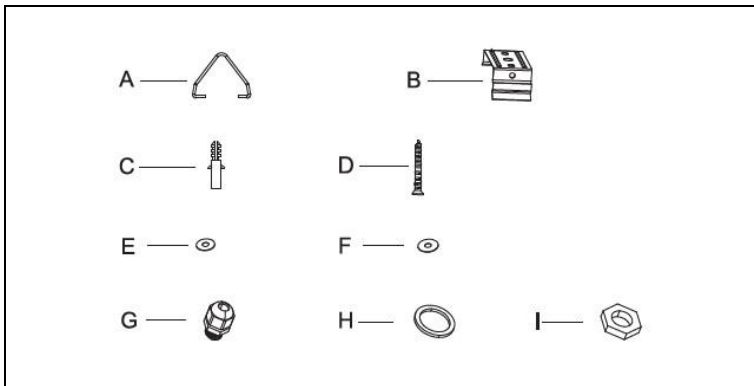
- Do not make or alter any open holes in wiring enclosures or electrical components during installation.
- Verify that the supply voltage is correct by comparing it with the label information.
- All wiring connections should be capped with UL approved wire connectors.
- The green ground screw is provided in the proper locations. Do not relocate it.
- Minimum 90°C supply conductors.

### NOTICE

- Suitable for wet locations.
- Account for small parts and destroy packing material, as these may be hazardous to children.

## Installation Instructions

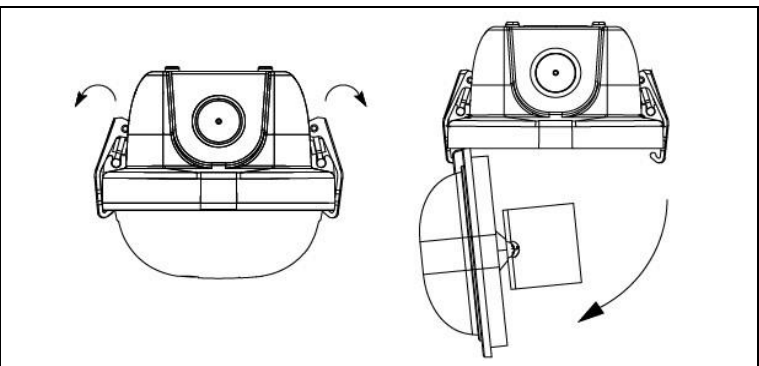
### Hardware Content



	CONTENTS	2ft/4ft	8ft
A	V-HOOK	2	3
B	SURFACE MOUNT BRACKET	2	3
C	PLASTIC TUBE-6*31mm	2	3
D	SELF-DRILLING SCREW-4*32*7	2	3
E	MENTAL GASKET-4*12*0.7	2	3
F	RUBBER GASKET-4*12*1	2	3
G	PLUG	1	1
H	SEALING RING	1	1
I	NUT	1	1

### Surface Mounting

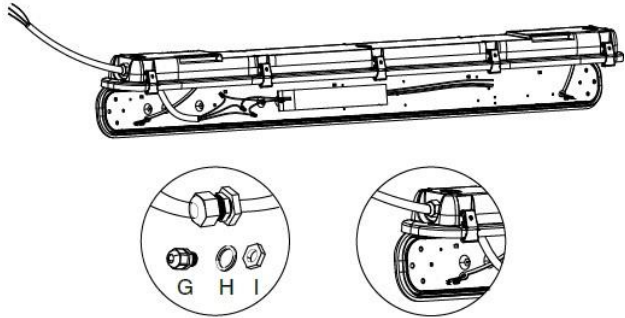
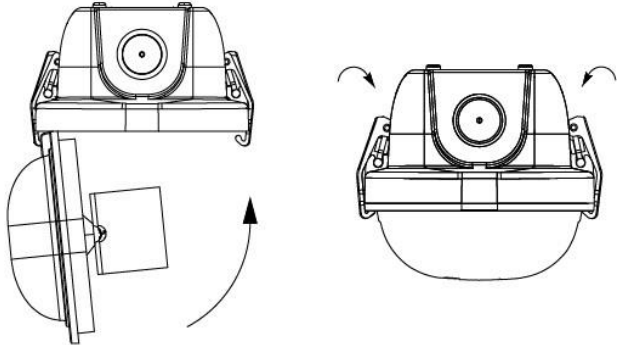
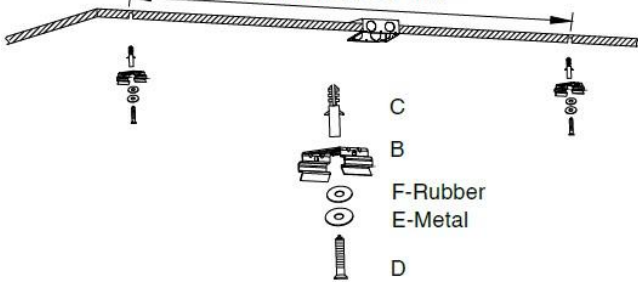
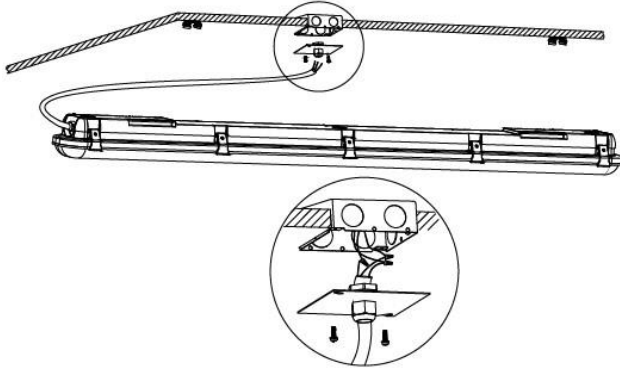
1. Release the latches by pulling the top of the latch away from the housing. Detach the LED tray and lens from the fixture.





## LED VAPOR TIGHT FIXTURE

### WARNING, CAUTION, SAFETY AND INSTALLATION INSTRUCTIONS

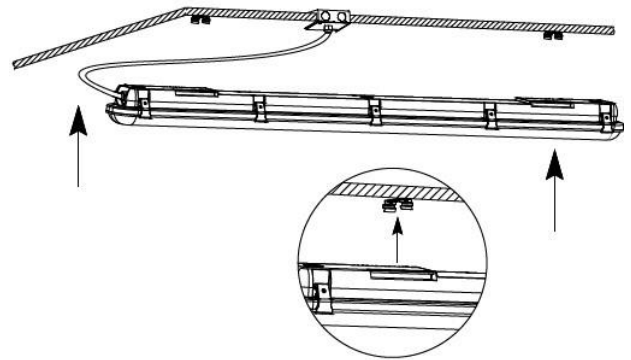
<p>2. Connect the flexible cord (SJTW 18 AWG, not included) to the driver input wires. Be sure to connect the wet location rated strain relief (included) to the side-hole of the housing.</p>	
<p>3. Reattach the LED tray and lens to the fixture by reversing step 1.</p>	
<p>4. Locate and drill the mounting holes, then install the clips to the ceiling surface using the mounting hardware found in the hardware kit.</p>	<p>2ft fixture: 10.6"-16.1" 4ft fixture: 30.3"-35.8" 8ft fixture: 75.4"-80.7"</p> 
<p>5. Connect the fixture to AC power, referring to the Wiring Diagram section as needed.</p>	



## LED VAPOR TIGHT FIXTURE

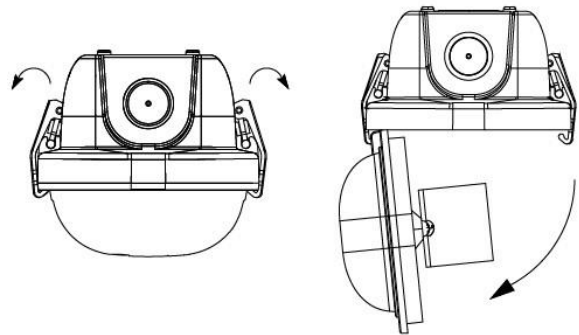
### WARNING, CAUTION, SAFETY AND INSTALLATION INSTRUCTIONS

6. Press the fixture housing into the counting clips until both sides of the housing recesses are secured.

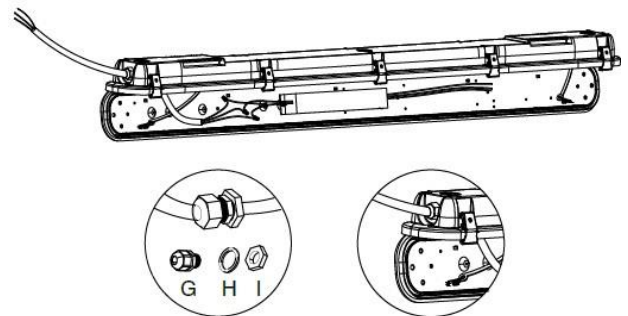


### Chain Suspension Mounting

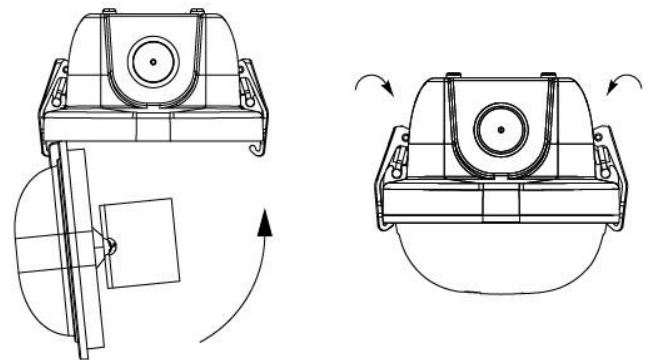
1. Release the latches by pulling the top of the latch away from the housing. Detach the LED tray and lens from the fixture.



2. Connect the flexible cord (SJTW 18 AWG, not included) to the driver input wires. Be sure to connect the wet location rated strain relief (included) to the side-hole of the housing.



3. Reattach the LED tray and lens to the fixture by reversing step 1.

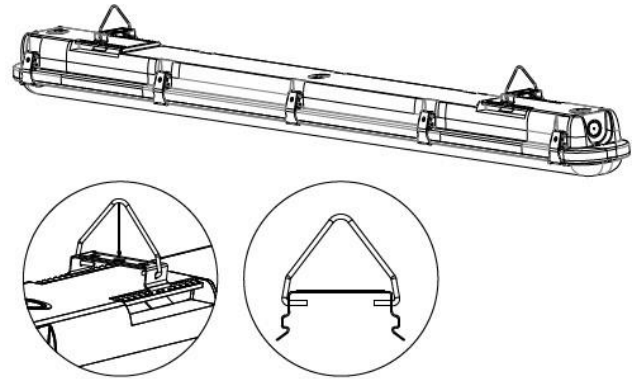




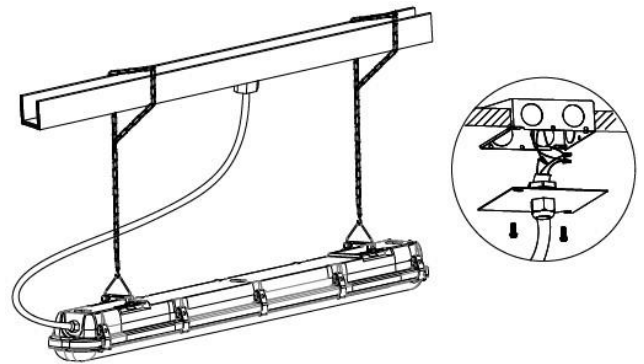
## LED VAPOR TIGHT FIXTURE

### WARNING, CAUTION, SAFETY AND INSTALLATION INSTRUCTIONS

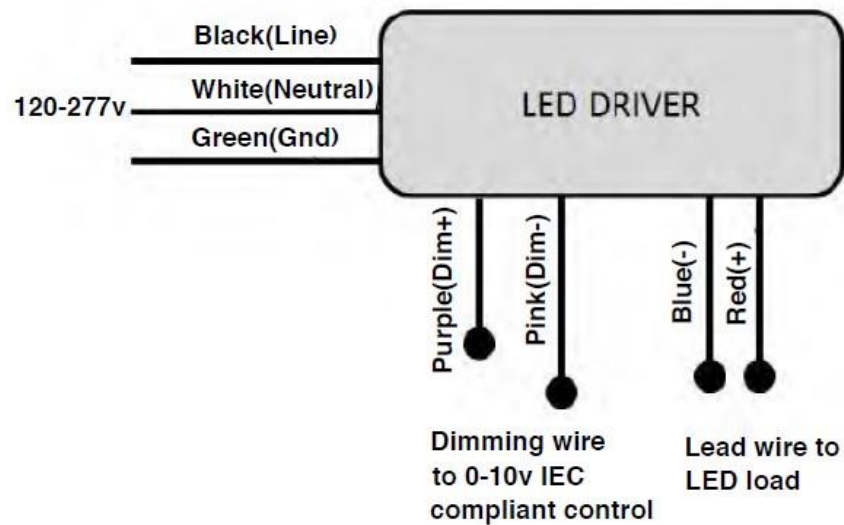
4. Secure the mounting clips to the fixture housing recessed by firmly pressing them into place, then attach a V-hook to each mounting clip.



5. Hang the fixture by attaching the V-hooks to chains (not included). Make the wiring connections to the power supply according to local laws and regulations.



## Wiring Diagram





### Field-Adjustable Wattage & CCT (for Selectable Fixtures)

The color temperature and lumen output can be adjusted on select fixtures by using the two DIP switches located inside the fixture. Each DIP switch has three options (left, middle, and right), which correspond to three color temperature and three wattages, that can perform the desired output combination.

<ol style="list-style-type: none"> <li>The DIP switches are located inside the fixture.</li> <li>Select a wattage and color temperature by sliding the corresponding switch left or right to the desired value.</li> </ol>	
--	--

### Default Settings

SKU	Type	Wattage (W)	CCT (K)	Default Settings
PLT-80066	Static Wattage/CCT	65W	5000K	N/A
PLT-80067	Selectable Wattage/CCT	34W, 38W, 45W	3500K, 4000K, 5000K	45W, 5000K
PLT-80069	Selectable Wattage/CCT	65W, 75W, 90W	3500K, 4000K, 5000K	90W, 5000K
PLT-80094	Selectable Wattage/CCT	25W, 30W, 34W	3500K, 4000K, 5000K	34W, 5000K

### **⚠ WARNING**

- Before installing, servicing, or performing routine maintenance upon this equipment, follow these general precautions.
- To reduce the risk of death, personal injury, or property damage from fire, electric shock, falling parts, cuts/abrasions, and other hazards, read all warnings and instructions included with and on the fixture box and all fixture labels.
- Proper grounding is required to ensure safety.
- Power must be turned off at the breaker before installation or maintenance.
- This product must be installed in accordance with the applicable installation code by a person familiar with the construction and operation of the product and the hazards involved.
- Wear gloves and eye protection at all times while installing, servicing, or performing maintenance on the luminaire, and avoid direct eye exposure to the light source while it is on.
- To prevent wiring damage or abrasion, do not expose wiring to edges of sheet metal or other sharp objects.
- Do not install damaged product. Inspect luminaire for damage that may have occurred during transit. If damaged, contact the manufacturer immediately.



## LED VAPOR TIGHT FIXTURE

### WARNING, CAUTION, SAFETY AND INSTALLATION INSTRUCTIONS

- These instructions do not purport to cover all details or variations in equipment nor to provide every possible contingency to meet in connection with installation, operation, or maintenance. Should further information be desired or should particular problems arise which are not covered sufficiently for the purchaser's or owner's purposes, contact the manufacturer.

#### **⚠ ADVERTENCIA**

- Antes de instalar, reparar o realizar el mantenimiento de rutina de este equipo, siga estas precauciones generales.
- Para reducir el riesgo de muerte, lesiones personales o daños a la propiedad por fuego, descarga eléctrica, caída de piezas, cortes / abrasiones y otros peligros, lea todas las advertencias y instrucciones incluidas con y en la caja del dispositivo y todas las etiquetas del dispositivo.
- Se requiere una conexión a tierra adecuada para garantizar la seguridad.
- Se debe apagar la energía en el disyuntor antes de la instalación o el mantenimiento.
- Este producto debe ser instalado de acuerdo con el código de instalación aplicable por una persona familiarizada con la construcción y operación del producto y los peligros involucrados.
- Utilice guantes y protección para los ojos en todo momento durante la instalación, el servicio o el mantenimiento de la luminaria, y evite la exposición directa de los ojos a la fuente de luz mientras está encendida.
- Para evitar daños o abrasiones en el cableado, no exponga el cableado a bordes de láminas de metal u otros objetos afilados.
- No instale un producto dañado. Inspeccione la luminaria en busca de daños que puedan haber ocurrido durante el tránsito. Si está dañado, comuníquese con el fabricante de inmediato.
- Estas instrucciones no pretenden cubrir todos los detalles o variaciones en el equipo ni proporcionar todas las posibles contingencias a cumplir en relación con la instalación, operación o mantenimiento. Si desea obtener más información o si surgen problemas particulares que no están suficientemente cubiertos para los propósitos del comprador o propietario, comuníquese con el fabricante.