

INSTRUCTIONS for Lithonia Lighting ECRG RD

LED COMBO EXIT & EMERGENCY LIGHT

READ AND FOLLOW ALL SAFETY INSTRUCTIONS

WARNING: FAILURE TO FOLLOW THESE INSTRUCTIONS AND WARNINGS MAY RESULT IN DEATH, SERIOUS INJURY OR SIGNIFICANT PROPERTY DAMAGE. For your protection, read and follow these warnings and instructions carefully before installing or maintaining this equipment. These instructions do not attempt to cover all installation and maintenance situations. If you do not understand these instructions or additional information is required, contact LITHONIA or your local LITHONIA distributor.



WARNING: RISK OF ELECTRIC SHOCK - NEVER CONNECT TO, DISCONNECT FROM, OR SERVICE WHILE EQUIPMENT IS ENERGIZED.

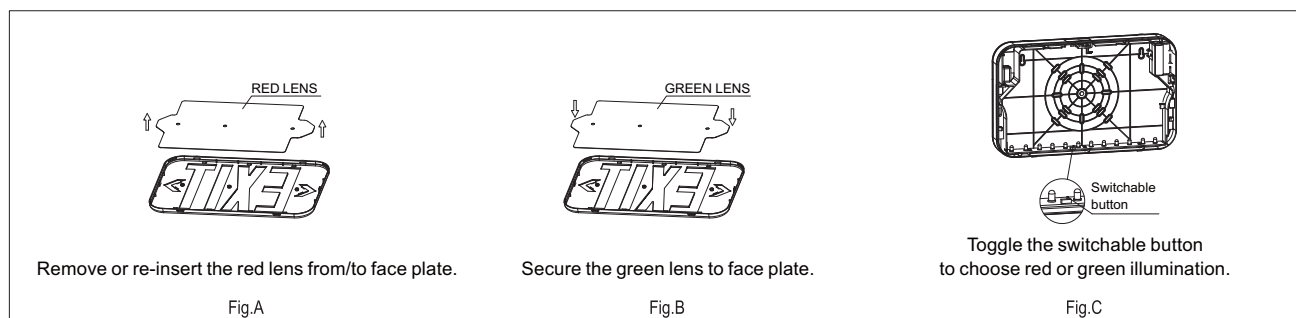
WARNING: RISK OF FIRE. Lamps are hot. Keep combustible material away from hot parts. Observe lamp manufacture's warnings, recommendations and restrictions on lamp operation and maintenance. Make sure lamps are correctly installed.

CAUTION: The battery in this unit may not be fully charged. After electricity is connected to unit, let battery charge for at least 24 hours, then normal operation of this unit should take effect. To check, press the TEST button. The lamps on the unit should turn on. (Refer to OPERATION BATTERY BACK UP for more testing information)

IMPORTANT SAFEGUARDS: When using electrical equipment, basic safety precautions should always be followed, including the following:

- Do not use outdoors. Suitable for use in 0°C-40°C(32°F-104°F) indoor damp locations.
- Consult local building code for approved wiring and installation.
- Disconnect AC power before servicing and installation.
- Do not mount near gas or electric heaters.
- Do not use this equipment for anything other than its intended use.
- The use of accessory equipment not recommended by the manufacturer will void product listing and warranty and may cause an unsafe condition.
- Any service on this equipment should be performed by qualified personnel only.
- Equipment should be mounted in locations and at heights where it will not be subject to tampering by unauthorized personnel.
- Use caution when servicing batteries.
- Cap unused wires with enclosed wire nuts or other approved method.
- Make sure wire terminations are secure and leads are properly tucked in appropriate wire channels.

NOTE: Max mounting height is 21.4 ft to achieve at least 1 ft-candle of illuminance in emergency mode.

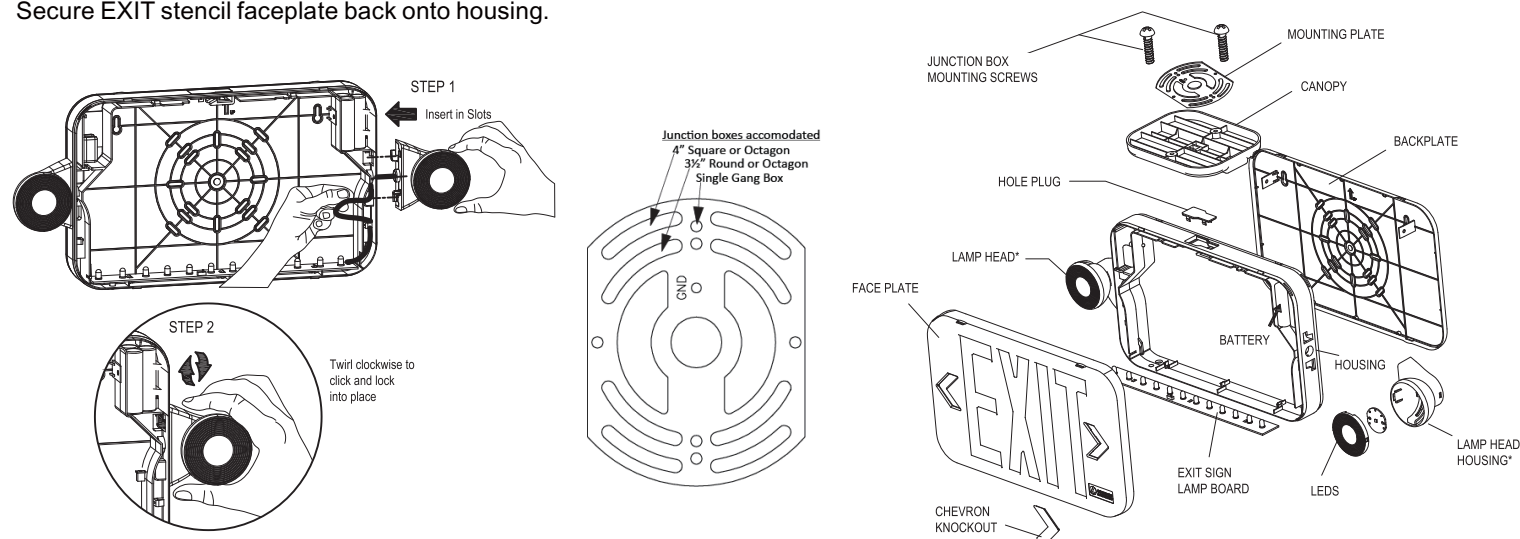


INSTRUCTIONS for Lithonia Lighting ECRG RD

NOTE: EXIT ships standard RED. Refer to Toggle Switch section for GREEN LED configuration.

INSTALLATION INSTRUCTIONS(back mount):

1. De-energize the circuit at an industry standard junction box, (not included), where the exit sign is to be installed.
2. Remove EXIT stencil faceplate from housing. Remove RED lens from faceplate(see fig. A). Set aside.
3. Drill out the appropriate mounting pattern and the wire pass hole in the EXIT back plate to fit the junction box being used.
4. Feed the red, black and white wires through the center.
5. Remove side mounting hole plug on right side. Knockout lamp head mounting hole on left side with flathead screwdriver.
6. Feed blue and yellow lamp head wire through side lamp head mounting hole(Step 1). Attach first lamp head to housing by aligning tabs on lamp head assembly to lamp head mounting slots on frame of housing (Step 2). Gently twirl lamp head clockwise to lock into place. An audible click should be heard. Repeat to install remaining lamp head.
7. Feed lamp head wires in appropriate wire channel and connect lamp head leads to the exit sign lamp board.
8. Ensure fixture leads are fed through back plate and connect to AC power leads coming into the junction box.
9. Connect RED lead to HOT of the power supply from 120-277V. Connect the WHITE lead to the NEUTRAL of the supply.
10. HO only: make wiring connections to the appropriate remote lamp heads using the YELLOW(+) and the BLUE(-) remote leads on the charger board. Cap off any UNUSED remote leads with wire nuts.
11. Fasten back plate to junction box cover.
12. Toggle the switchable to select GREEN, if applicable(see fig. C).
13. Connect battery only after continuous AC power can be provided to the unit.
14. Remove knockout chevron(s) on faceplate, as needed. Re-insert RED lens to faceplate (see fig. A)(or GREEN if applicable, see fig. B). Secure EXIT stencil faceplate back onto housing.



INSTALLATION INSTRUCTIONS(top or end mount):

1. De-energize the circuit at an industry standard junction box, (not included), where the exit sign is to be installed.
2. Remove EXIT stencil faceplate(see fig. A) from housing. Remove RED lens from faceplate. Set aside.
3. Remove the canopy kit, hardware pack and mounting plate from inside the EXIT and set aside.
4. Remove the mounting hole plug on the top or either side of the frame.
5. Place the canopy nose through the mounting hole until the side of the frame touches the canopy. Lock the frame onto the canopy by sliding the frame in a direction parallel to the canopy length toward the narrow end of the mounting hole. Slide the frame until both snaps engage the canopy nose preventing any motion back out of the hole.
6. Feed the red, black and white wires through center of mounting canopy hole.
7. Remove side mounting hole on right side. Knockout lamp head mounting hole on left side with flathead screwdriver.
8. Feed blue and yellow lamp head wire through side lamp head mounting hole (Step 1). Attach first lamp head to housing by aligning tabs on lamp head assembly to lamp head mounting slots on frame of housing(Step 2). Gently twirl lamp head clockwise to lock into place. An audible click should be heard. Repeat to install remaining lamp head.
9. Feed lamp head wires in appropriate wire channel and connect lamp head leads to the exit sign lamp board.
10. Ensure fixture leads are fed through mounting canopy and connect to AC power leads coming into the junction box.
11. Connect RED leads to HOT of the power supply from 120-277V. Connect the WHITE lead to the NEUTRAL of the supply.
12. When applicable, make wiring connections to the appropriate remote lamp heads using the YELLOW(+) and the BLUE(-) remote leads on the charger board. Cap off any UNUSED remote leads with wire nuts.
13. Secure the EXIT canopy to the steel mounting plate using the screws provided and fasten to junction box.
14. Toggle the switchable to select GREEN, if applicable(see fig. C).
15. Connect battery only after continuous AC power can be provided to the unit.
16. Remove knockout chevron(s) on faceplate, as needed. Re-insert RED lens(s) to faceplate (see fig. A)(or GREEN if applicable, see fig. B). Secure EXIT stencil faceplate back onto housing.
17. Secure faceplate(s) to housing.

INSTRUCTIONS for Lithonia Lighting ECRG RD

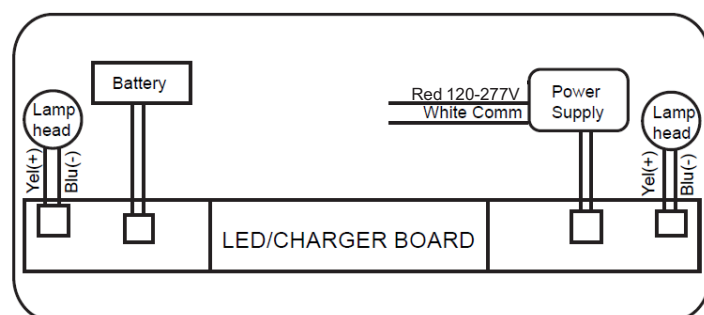
LED STATUS INDICATOR KEY and TROUBLESHOOTING

Visual Status	Indication	Troubleshooting/Actions to Take
UNLIT	<ol style="list-style-type: none"> 1. Battery connection is not made. 2. Battery has been diagnosed as dead or defective after 24 hours of continuous charging with AC power supplied. 3. AC power has not been supplied. 	<ol style="list-style-type: none"> 1. Make connection; or if battery is connected, disconnect battery for eight seconds and then reconnect. 2. Replace the battery. 3. Supply AC power.
RED	Battery is connected, AC power has been supplied and fixture is in charging state.	This is the normal state. No action required.

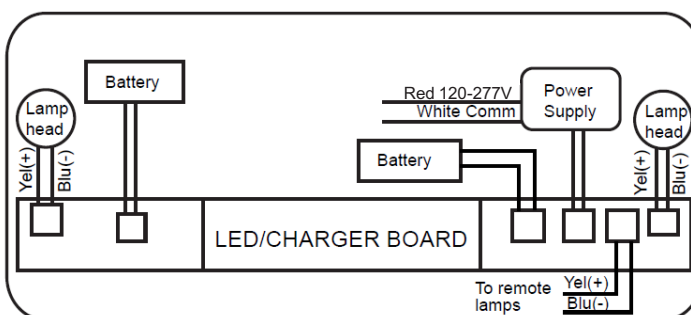
WIRING DIAGRAMS

NOTE: Unused input lead must be properly insulated with wire nut or other approved method.

STANDARD COMBO



COMBO (HO OPTION)



LITHONIA LIGHTING®
An **Acuity Brands** Company

LIFE SAFETY SOLUTIONS

TEL: 800-705-SERV (7378)

techsupport-emergency@acuitybrands.com

www.lithonia.com

Part No. 912-00195-001,
Rev A Prelim 10.19.2020