



## LED LUMINAIRES



### ProLED® Select Downlight Retrofit Series

Field Selectable Color Temperature



The ProLED Select Downlight Retrofit Series replaces 15 products with just 3, allowing the user to select from 5 different color temperatures in either 4" or 5/6" sizes by simply using a switch on the back of the fixture. Whether in a kitchen, a family room, or a shower, ProLED Select technology offers ultimate flexibility and performance in choosing the desired look and feel of lighting throughout your space.



- 5 Selectable CCT Switch**
- Wet Location and ICAT Rated**
- Replaces 50W to 120W Incandescent**
- Superior Color Rendering**
- Energy Star Certified**

#### Applications:

- Homes
- Healthcare
- Retail
- Hospitality
- Office

#### Markets:

- Residential
- Light Commercial



Contact Your Customer Care Specialist  
For Pricing, Orders And Technical Support.  
**800.677.3334**    [www.halcolighting.com](http://www.halcolighting.com)

# ProLED® Select Downlight Retrofit Series

## Field Selectable Color Temperature

Product #: \_\_\_\_\_ Type: \_\_\_\_\_  
 Project: \_\_\_\_\_ Date: \_\_\_\_\_  
 Comments: \_\_\_\_\_ Initials: \_\_\_\_\_

### Performance

- Replaces 50 to 120 Watt Incandescent
- 85% more energy efficient than incandescent
- CRI >90
- L70 Lumen Maintenance > 50,000 hours
- 5 year limited warranty
- Dimmable to 10%
- 120VAC Input
- 5 Field Selectable Color Temperatures (CCT)
- UL Listed and Energy Star Certified
- Title 20 Tier 2 and Title 24 JA-8 Compliant

### Certification

- ETL Listed
- R0Hs Compliant
- Energy Star Certified
- Wet Location Rated
- IC Rated

### Construction

- 4" model includes universal friction clips for simple installation
- 5-6" model includes torsions springs for compatibility with most 5" and 6" housings
- Baffled trim design adds depth and reduces glare
- Wet Location and ICAT Rated
- Lightweight polycarbonate housing
- Includes E26 medium base adapter
- Title 24 Compliant luminaire disconnect

### Applications

- Residential
- Light Commercial
- Retail
- Office

### Ordering Information

Product Code	Product Number	Product Description	Watt-age	Color Temperature	Lumen Output	CRI	Voltage	Useful Life
FSDL4FR6/CCT/LED	82983	4" ProLED Select Downlight Retrofit - 5 CCT Selectable	6.5W	2700/3000/3500/4000/5000	550	>90	120	50,000
FSDL6FR9/CCT/LED	82984	5/6" ProLED Select Downlight Retrofit - 5 CCT Selectable	9W	2700/3000/3500/4000/5000	770	>90	120	50,000
FSDL6FR11/CCT/LED	83985	5/6" ProLED Select Downlight Retrofit - 5 CCT Selectable	11W	2700/3000/3500/4000/5000	1000	>90	120	50,000
ADP/DL/GU24/LED	91003	GU24 Socket Adapter	-	-	-	-	-	-

\*Useful Life is defined as the point in time at which the lamp will maintain at least 70% of its initial lumens. The lamp will continue to operate past this point at decreased light levels. May not be compatible with all dimming systems, dimming performance may vary by system. Warranty – Commercial / Industrial: This product is warranted for 5 years from the date of purchase.

### Specifications Table

	6.5	9	11
Rated Wattage	6.5	9	11
Input Voltage	120VAC		
Power Factor	> 0.9		
L70 Lifetime*	50,000		
Efficacy	Up to 85 LPW		
CRI	>90		
Dimming	120V Triac		
CCT	2700, 3000, 3500, 4000, 5000		
Warranty	5 Years Standard		
Environment	UL Wet Location Listed, IC Rated		
Ambient Temp. Rating	-20°C to 40°C		
Weight (lbs)	0.66	0.97	
Beam Angle	95	100	



5 CCT Selectable



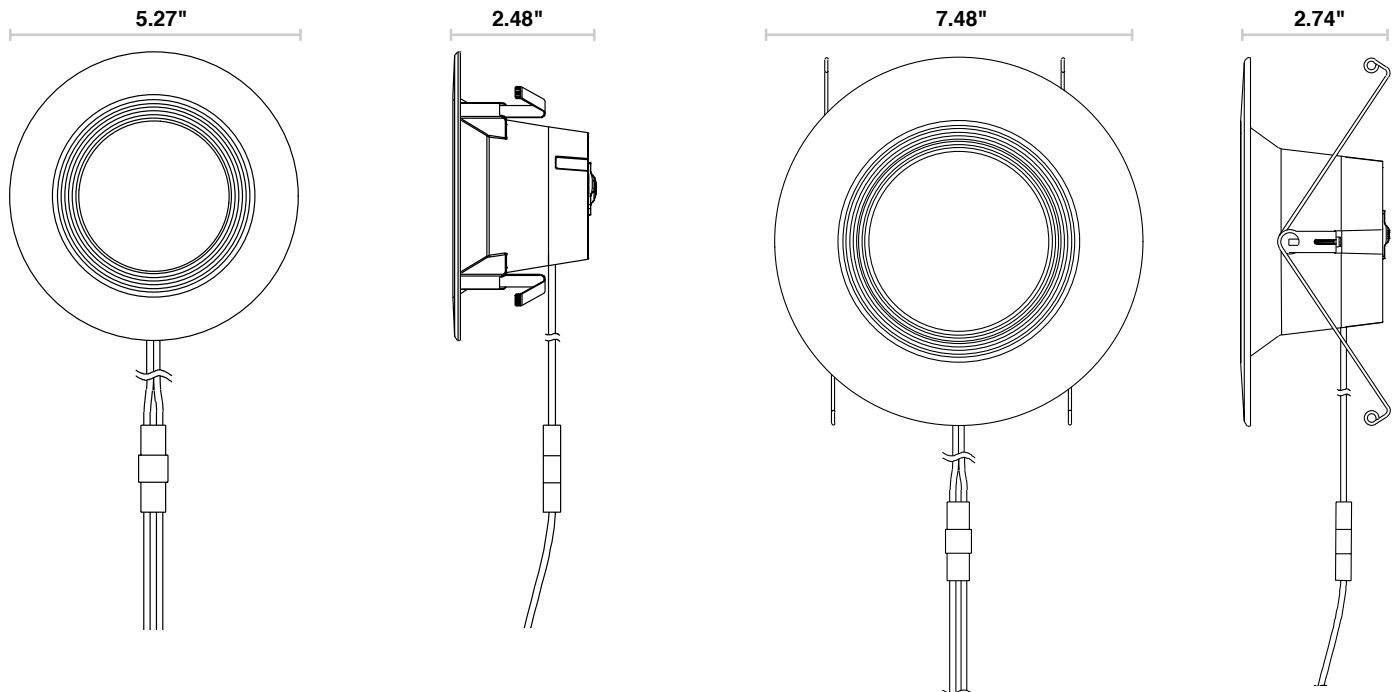
Available GU24 socket base adaptor sold separately

# ProLED® Select Downlight Retrofit Series

## Field Selectable Color Temperature

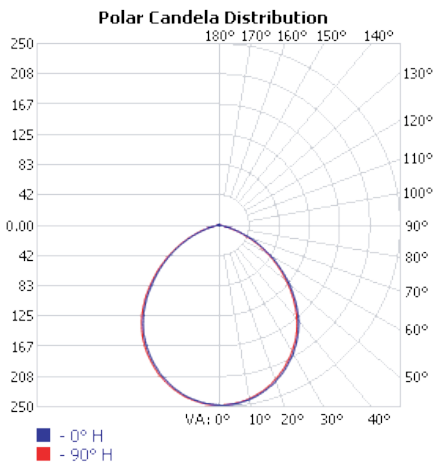
Product #: \_\_\_\_\_ Type: \_\_\_\_\_  
 Project: \_\_\_\_\_ Date: \_\_\_\_\_  
 Comments: \_\_\_\_\_ Initials: \_\_\_\_\_

### Dimensions

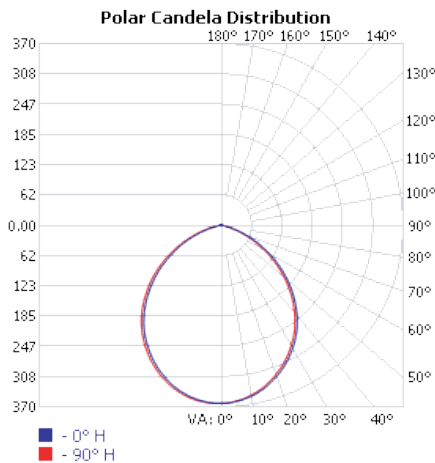


### Photometrics

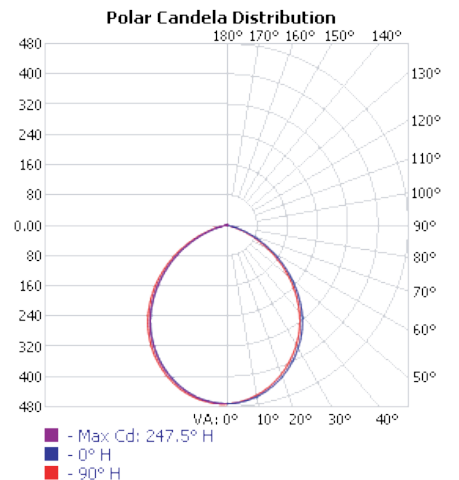
4" 6,5W ProLED Select Downlight Retrofit  
- 5 CCT Selectable



6" 9W ProLED Select Downlight Retrofit  
- 5 CCT Selectable



6" 11W ProLED Select Downlight Retrofit  
- 5 CCT Selectable





# CCT Downlights Dimmer Compatibility List

## ProLED Product Code & Product Number

FSDL4FR6/CCT/LED (82983)
FSDL6FR9/CCT/LED (82984) (83985)

## Lamps per 600W Dimmer

Lamp Type	Inrush	# of Lamps
6.5W	65W	9
9W	76W	7

Brand	Dimmer Model	Load	Type	Compatibility	Max Lamps	Compatibility	Max Lamps
Leviton	R62-6683-IW	600W	INC	Yes	9	Yes	7
	C20-6681-IW	600W	INC	Yes	9	Yes	7
	R01-RPI06-1LI	600W	INC	Yes	9	Yes	7
	6674-10W	150W	CFL/LED	Yes	9	Yes	7
	R02-6615-POW	300W	ELV	No	-	No	-
	R15-IPI06-1SE	600W	INC	Yes	9	Yes	7
	1PE04-1LZ	400W	ELV	No	-	No	-
	R50-6602-IW	600W	INC	Yes	9	Yes	7
	6633	600W	INC	Yes	9	Yes	7
Lutron	IPL06	150W	CFL/LED	Yes	9	Yes	7
	TTCL-100H-WH	150W	CFL/LED	Yes	9	Yes	7
	D-600PH-DK	600W	INC	Yes	9	Yes	7
	DVLV-600P-WH	600W	MLV	Yes	9	Yes	7
	NTLV-600-WH	600W	MLV	Yes	9	Yes	7
	DVELV-300P-WH	300W	ELV	Yes	4	Yes	3
	DV-603PG-WH	600W	INC	Yes	9	Yes	7
	NLV-600-WH	600W	MLV	Yes	9	Yes	7
	CTCL-153PDH	150W	CFL/LED	Yes	9	Yes	7
	D-603PH	600W	INC	Yes	9	Yes	7
	TT-300NLN-WH	300W	INC	Yes	4	Yes	3
	MRF2-3PD-1-1WH(Digital)	200W	MLV	Yes	3	Yes	2
	MA-600-WH(Digital)	600W	INC	No	-	Yes	7
	MAW-600(Digital)	600W	INC	Yes	9	Yes	7
	MRF2-6ND-120-WH(Digital)	600W	MLV	Yes	9	Yes	7
	RRD-10ND-WH(Digital)	1000W	INC	Yes	15	Yes	13
	VTELV-600M-B-WH(Digital)	600W	ELV	Yes	9	Yes	7
	MAELV-600-WH(Digital)	600W	ELV	Yes	9	Yes	7
	MRF2-6ELV-120-WH(Digital)	600W	ELV	Yes	9	Yes	7
	AYCL-153P-WH	150W	CFL/LED	Yes	9	Yes	7
	AYLV-600P-WH	600W	MLV	Yes	9	Yes	7
	TG-603PGH-WH	600W	INC	Yes	9	Yes	7
	S-600PR-WH	600W	INC	Yes	9	Yes	7
	CTCL-153P-WH	150W	CFL/LED	Yes	9	Yes	7
	MACL-153M-WH (Digital)	150W	CFL/LED	Yes	9	Yes	7
	DVCL-153P-WH	150W	CFL/LED	Yes	9	Yes	7
	SCL-153PH-WH-C	150W	CFL/LED	Yes	9	Yes	7
	LGCL-153PLH-WH-C	150W	CFL/LED	Yes	9	Yes	7
	TGCL-153PH-WH-C	150W	CFL/LED	Yes	9	Yes	7

