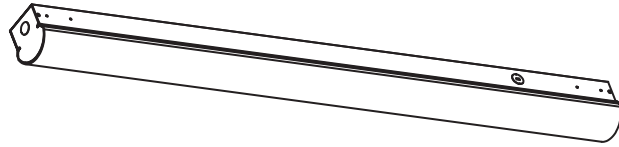


# Linear LED Strip Installation Instructions



## **SAFETY PRECAUTION**

- To reduce the risk of death, personal injury or property damage from fire, electric shock, falling parts, cuts/abrasions, and other hazards read all warnings and instructions included with and on the fixture box and all fixture labels.
- Before installing, servicing, or performing routine maintenance upon this equipment, follow these general precautions.
- Commercial installation, service and maintenance of luminaires should be performed by a qualified licensed electrician.
- For the installation: If you are unsure about the installation or maintenance of the luminaires, consult a qualified licensed electrician and check your local electrical code.
- To prevent wiring damage or abrasion, do not expose wiring to edges of sheet metal or other sharp objects.
- Do not make or alter any open holes in an enclosure of wiring or electrical components during kit installation.

## **WARNING: RISK OF FIRE OR ELECTRICAL SHOCK**

- Turn off electrical power at fuse or circuit breaker box before wiring fixture to the power supply.
- Turn off the power when you perform any maintenance.
- Verify that supply voltage is correct by comparing it with the luminaire label information.
- All wiring connections should be capped with UL approved wire connectors.

## **CAUTION: RISK OF INJURY**

- Avoid direct eye exposure to the light source while it is on.
- Account for small parts and destroy packing material, as these may be hazardous to children.
- Risk of burns. Disconnect power and allow fixture to cool before changing bulb or handling fixture.

## **SUITABLE FOR DRY OR DAMP LOCATION**

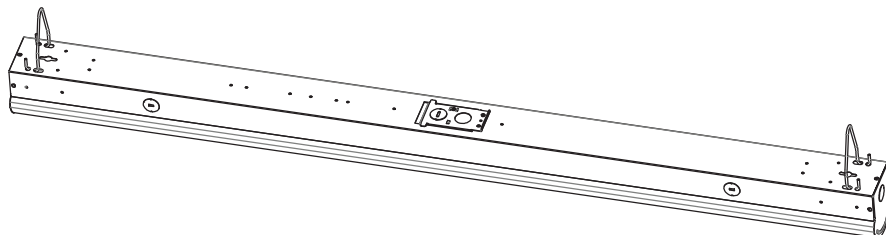
**GREEN GROUND SCREW PROVIDED IN PROPER LOCATION. DO NOT RELOCATE.**

**MINIMUM 90°C SUPPLY CONDUCTORS.**

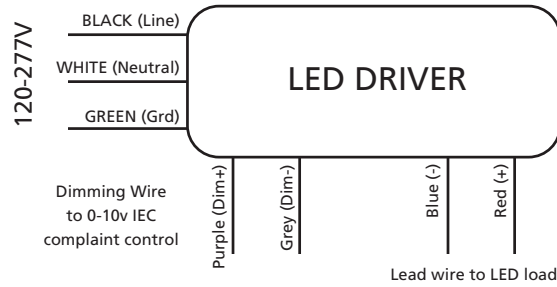
**SPECIFICATIONS AND DIMENSIONS ARE SUBJECT TO CHANGE WITHOUT NOTICE.**

## **INSTALLATION**

**BEFORE INSTALLATION, ENSURE THAT POWER SUPPLY IS DISCONNECTED FROM MAIN CIRCUIT BREAKER!**



# GENERAL WIRING DIAGRAM



## MOUNTING OPTIONS

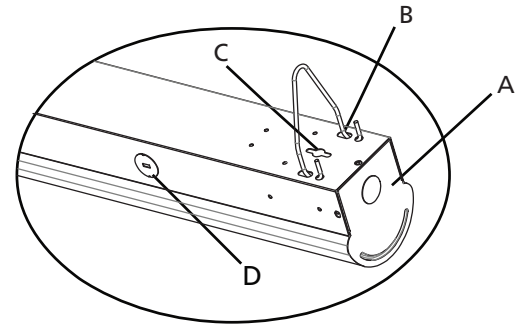
### CHAIN MOUNTING WITH V-HOOK

Attach manufacturer-supplied V-hooks to each end of the luminaire base. Attach customer-supplied chain to the V-hooks and mounting surface. As shown in point B.

### SURFACE MOUNTING

For easy surface mounting installation, remove the lens and secure the luminaire base by inserting customer-supplied #8 anchor screws toggle bolts, or other suitable fasteners into V-hook/surface mount slots or keyhole slot on the top side of the luminaire base. As shown in point B and C.

Figure 1



- A: End Cap
- B: V-Hook/Surface Mount Slots
- C: Keyhole Slots
- D: Wiring Knockouts

### Easy Surface Mount Installation

Figure 2

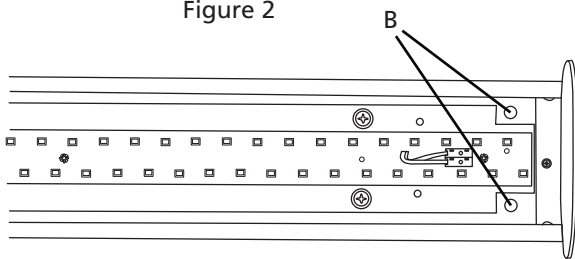


Figure 3

