

DESCRIPTION

Quickly set up temporary lighting in work or construction areas with this adjustable LED work light.

FEATURES

- Delivers an omni-directional light with adjustable LED panels that can be aimed from 180 to 360 degrees
- Up to 7 fixtures can be daisy chained together
- Frosted lenses diffuse the light for reduced glare
- Includes 5-foot 18 AWG power cord with 120V plug

LISTINGS

- ETL Listed for damp locations
- RoHS

PERFORMANCE

- CRI: >80
- CCT: 5000K
- Rated Lifetime L70: >50,000

ELECTRICAL

- THD: <17%
- Power Factor: ≥ 0.9
- Surge Protection: 6kV
- Input Voltage: 120-277V

THERMAL

- -40°F to 140°F (-40°C to 60°C) operating temperature

CONSTRUCTION

- Aluminum housing with orange-gold and silver finish
- Polycarbonate lenses with metal cage coverings for added protection
- Built-in stainless steel hook with spring for easy installation

WARRANTY

- 3 year limited warranty; see pltsolutions.com for warranty details

project name	type
catalog number	
comments	voltage
approved by	date



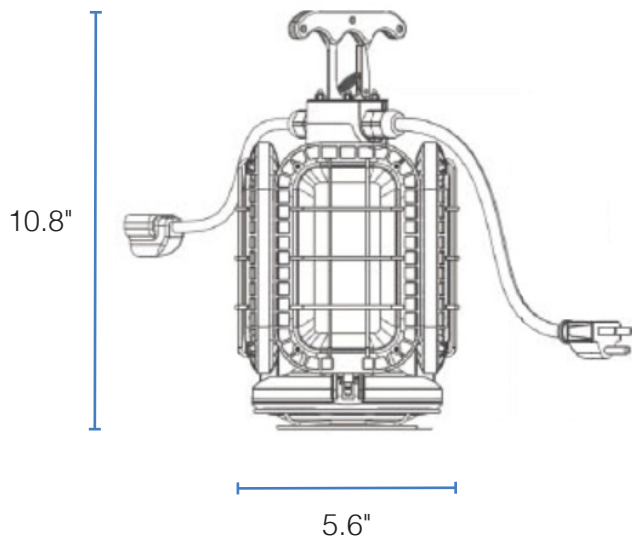
APPLICATIONS

- New Construction or Renovation
- Maintenance or Storage Spaces
- Short-term Maintenance Projects
- Warehouses
- Workshops

PERFORMANCE SUMMARY

Item #	Watts	Lumens	LPW	CRI	CCT	Beam Angle	Lens	Voltage	Replaces
PLTS-90228	100	12000	120	>80	5000K	180-360°	Polycarbonate	120-277V	MH250

DIMENSIONS

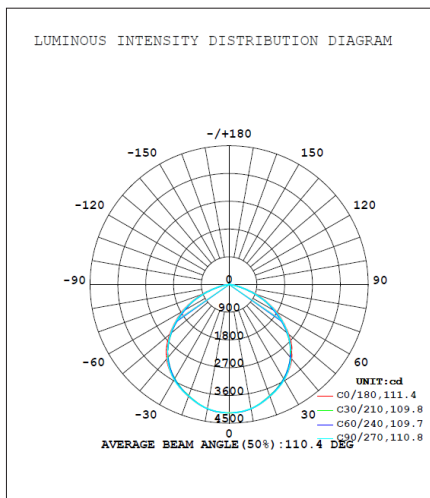


DIMENSIONS

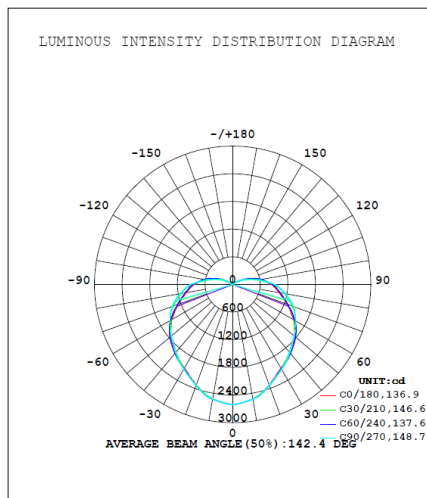
Height: 10.8"
 Width: 5.6"
 Weight: 4 lbs.

PHOTOMETRICS

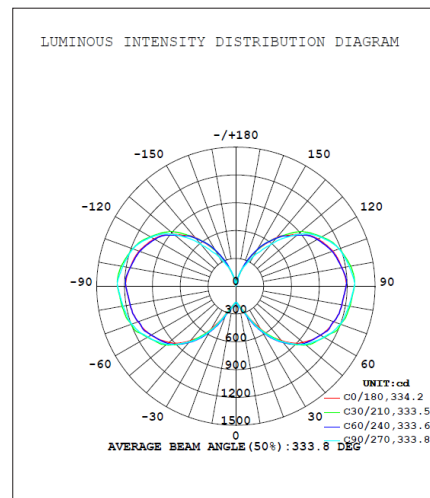
OPEN 90°



OPEN 45°



FULLY CLOSED



WARNINGS

- For use only on GFCI protected circuits
- Do not use with dimmers