

DESCRIPTION

Outlasting and outperforming 1000W metal halide fixtures, this 300W LED area light is ideal for a variety of outdoor applications.

FEATURES

- Up to 130 LPW ultra-high efficiency delivers superior performance over older HID fixtures
- Type III light distribution projects light outwards with a lateral width of 40 degrees
- 0-10V dimming
- Instant on with no warmup

LISTINGS

- IP65
- UL Listed for wet locations
- FCC Part 15, Part B, Class A
- DesignLights Consortium® 5.1 Premium - meets the requirements for the highest DLC qualification for efficacy and lumen maintenance; DLC PN - PLTBF7513

PERFORMANCE

- CRI: 80+
- CCT: 5000K
- LED L70 Life Hours: ≥100,000 hours
- Surge Protection: 6kV
- Light Distribution: Type III
- Philips Lumileds LEDs and Sosen driver

THERMAL

- -40°F to 113°F (-40°C to 45°C) operating temperature

ELECTRICAL

- THD: <20%
- Power Factor: >0.95
- Input Voltage: 120-277V
- Dimmable power supply (0-10V)

INSTALLATION

- Designed to be mounted with Excel Series and select Grandview Series slip fitters, straight arms, or U brackets (all sold separately), see Mounting Accessories section for full list of compatible products. See installation instructions for more information on how to install these fixtures.

CONSTRUCTION

- Low profile die-cast aluminum housing
- Durable dark bronze powder coat finish

WARRANTY

- 5 year limited warranty; see pltsolutions.com for warranty details

project name	type
catalog number	
comments	voltage
approved by	date



APPLICATIONS

- Parking Lots
- Automotive Dealerships
- Roadways
- Campuses
- Area Security Lighting
- Airports

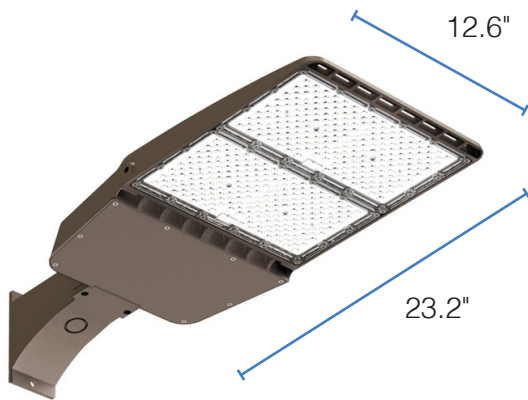
PERFORMANCE SUMMARY

Item #	Family	Watts	Lumens	LPW	CCT	CRI	Dimming	Voltage	Replaces	Light Distribution	DLC Level	DLC #
PLTS-11981	Excel Series	300	39000	130	5000K	80+	0-10V	120-277V	MH1000	Type III	5.1 Premium	PLTBF7513

MOUNTING ACCESSORIES (SOLD SEPARATELY)

Item #	Family	Description
PLTS-11989	Excel Series	Adjustable U-bracket for 100W and 150W fixtures
PLTS-11990	Excel Series	Adjustable U-bracket for 220W and 300W fixtures
PLT-11564	Grandview Series	Slipfitter for Tenons up to 2.38" in Diameter
PLT-11565	Grandview Series	6" Mounting Arm for Square Poles
PLT-11102	Grandview Series	6" Mounting Arm for Square or Round Poles

DIMENSIONS



DIMENSIONS

Length: 23.2"
 Height: 3.2"
 Width: 12.6"
 Weight: 16.5 lbs.

PHOTOMETRICS

