

DESCRIPTION

Outlasting and outperforming 1000W metal halide fixtures, this 300W LED area light is ideal for a variety of outdoor applications.

FEATURES

- Up to 130 LPW ultra-high efficiency delivers superior performance over older HID fixtures
- Type III light distribution projects light outwards with a lateral width of 40 degrees
- 0-10V dimming
- Instant on with no warmup

LISTINGS

- IP65
- UL Listed for wet locations
- FCC Part 15, Part B, Class A
- DesignLights Consortium® 5.1 Premium - meets the requirements for the highest DLC qualification for efficacy and lumen maintenance; DLC PN - PLTBF7313

PERFORMANCE

- CRI: 80+
- CCT: 4000K
- LED L70 Life Hours: ≥100,000 hours
- Surge Protection: 6kV
- Light Distribution: Type III
- Philips Lumileds LEDs and Sosen driver

THERMAL

- -40°F to 113°F (-40°C to 45°C) operating temperature

ELECTRICAL

- THD: <20%
- Power Factor: >0.95
- Input Voltage: 120-277V
- Dimmable power supply (0-10V)

INSTALLATION

- Designed to be mounted with Excel Series and select Grandview Series slip fitters, straight arms, or U brackets (all sold separately), see Mounting Accessories section for full list of compatible products. See installation instructions for more information on how to install these fixtures.

CONSTRUCTION

- Low profile die-cast aluminum housing
- Durable dark bronze powder coat finish

WARRANTY

- 5 year limited warranty; see pltsolutions.com for warranty details

| | |
|----------------|---------|
| project name | type |
| catalog number | |
| comments | voltage |
| approved by | date |



APPLICATIONS

- Parking Lots
- Automotive Dealerships
- Roadways
- Campuses
- Area Security Lighting
- Airports

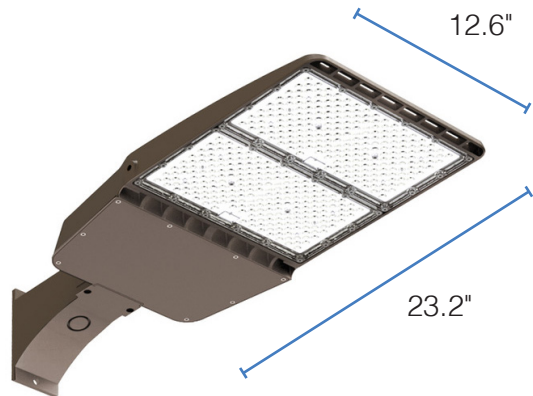
PERFORMANCE SUMMARY

| Item # | Family | Watts | Lumens | LPW | CCT | CRI | Dimming | Voltage | Replaces | Light Distribution | DLC Level | DLC # |
|------------|--------------|-------|--------|-----|-------|-----|---------|----------|----------|--------------------|-------------|-----------|
| PLTS-11980 | Excel Series | 300 | 39000 | 130 | 4000K | 80+ | 0-10V | 120-277V | MH1000 | Type III | 5.1 Premium | PLTBF7313 |

MOUNTING ACCESSORIES (SOLD SEPARATELY)

| Item # | Family | Description |
|------------|------------------|---|
| PLTS-11989 | Excel Series | Adjustable U-bracket for 100W and 150W fixtures |
| PLTS-11990 | Excel Series | Adjustable U-bracket for 220W and 300W fixtures |
| PLT-11564 | Grandview Series | Slipfitter for Tenons up to 2.38" in Diameter |
| PLT-11565 | Grandview Series | 6" Mounting Arm for Square Poles |
| PLT-11102 | Grandview Series | 6" Mounting Arm for Square or Round Poles |

DIMENSIONS



DIMENSIONS

Length: 23.2"

Height: 3.2"

Width: 12.6"

Weight: 16.5 lbs.

PHOTOMETRICS

