

DESCRIPTION

Provide exceptional energy and maintenance savings by replacing 150W metal halide fixtures with this linear LED hazardous location light.

FEATURES

- Durable, explosion proof design ideal for areas with ignitable and combustible elements
- Impressive 127 LPW ultra-high efficiency delivers superior performance over HID fixtures
- U-bracket allows fixture to be aimed 30 degrees, 60 degrees, or 90 degrees to the left or right from a vertical downward direction
- Completely sealed against water and dust ingress
- Wire guard included, provides additional protection to lens

LISTINGS

- Class 1 Div 2 for hazardous locations
- IP66 Rated
- UL Listed for wet locations
- DesignLights Consortium® 5.1 Standard - meets the requirements for the highest DLC qualification for efficacy and lumen maintenance; DLC Part Number - PLTSN62181312

PERFORMANCE

- CRI: 70+
- CCT: 5000K
- Rated Lifetime L70: 50,000 hours
- Seoul Semiconductor LEDs and Sosen driver

ELECTRICAL

- THD: ≤ 20%
- Power Factor: ≥ 0.9
- Input Voltage: 120-277V

THERMAL

- -40°F to 149°F (-40°C to 65°C) operating temperature

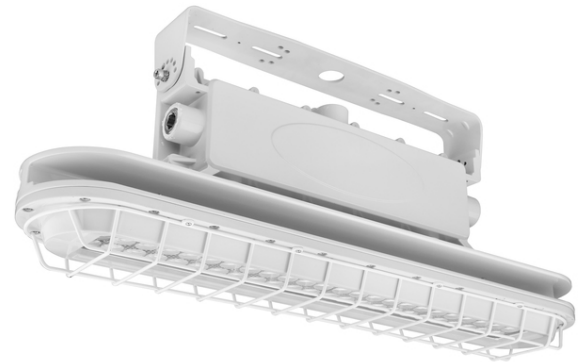
INSTALLATION

- Designed to surface mounted with included adjustable u-bracket; see installation instructions for more information

CONSTRUCTION

- Aluminum housing with grey finish
- Clear glass lens with wire guard

project name	type
catalog number	
comments	voltage
approved by	date



WARRANTY

- 5 year limited warranty; see pltsolutions.com for warranty details

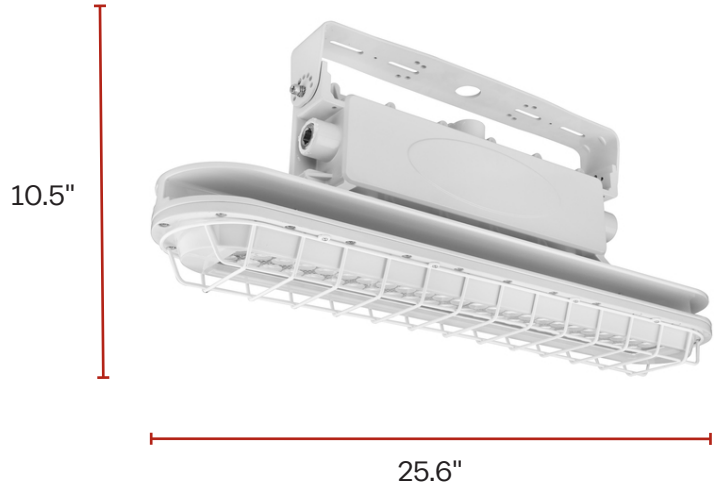
APPLICATIONS

- Warehouses
- Factories
- Workshops
- Petroleum Refineries
- Grain Processing Facilities
- Gas Stations
- Ship Ports

PERFORMANCE SUMMARY

Item #	Watts	Lumens	LPW	CRI	CCT	Lens	Dimming	Voltage	Replaces	DLC #	DLC Rating
PLTS-11959	40	5093	127	70+	5000K	Glass	Yes	120-277V	MH150	PLTSN62181312	5.1 Standard

DIMENSIONS



DIMENSIONS

Length: 25.6"
 Width: 5.11"
 Height: 10.5"
 Weight: 23.5 lbs.

PHOTOMETRICS

