

DESCRIPTION

Featuring a low-profile design, this 100W round LED high bay is a cost-effective solid state solution for high bay applications, providing a one-for-one replacement of 250 Watt metal halide fixtures.

FEATURES

- Up to 147 LPW ultra-high efficiency delivers superior performance over older HID high bays
- 0-10V dimming
- Instant-on with no warmup
- 6' power cord standard for more installation flexibility

LISTINGS

- IP65 Rated for dust and high pressure water ingress protection
- UL Listed for wet locations
- DesignLights Consortium® 5.1 Premium- meets the requirements for the highest DLC qualification for efficacy and lumen maintenance; DLC PN - PLTSN111412

PERFORMANCE

- CRI: >80
- Rated lifetime L70: 50,000 hours
- Philips Lumileds LEDs and Sosen driver

THERMAL

- -40°F to 122°F (-40°C to 50°C) operating temperature

ELECTRICAL

- THD: ≥0.9
- Power Factor: ≤20%
- Input Voltage: 120-277V
- Surge Protection: 4kV
- Dimmable power supply (0-10V)
- Dimmable power supply (0-10V)

INSTALLATION

- Designed for pendant mounting with metal ring hanger included; see installation instructions for more information
- S/MH(C0/C180): 1.29
- S/MH(C90/C270): 1.29

CONSTRUCTION

- Ships standard with impact resistant polycarbonate lens
- Slim, lightweight die-cast aluminum construction (5.3 lbs) allows for quick and easy installation

WARRANTY

- 5 year limited warranty; see pltsolutions.com for warranty details

project name	type
catalog number	
comments	voltage
approved by	date



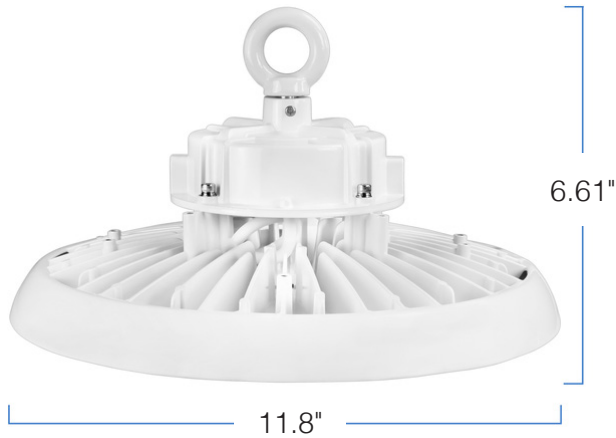
APPLICATIONS

- Warehouses
- Manufacturing Plants
- Distribution Centers
- Grocery Stores
- Gymnasiums
- Indoor Recreational Facilities
- Cold Storage
- Big Box Retail
- Service Repair Centers

PERFORMANCE SUMMARY

Item #	Model	Watts	Lumens	LPW	CCT	CRI	Dimming	Voltage	Replaces	DLC #	DLC Rating
PLT-11896	UFO	100	14,700	147	5000K	>80	0-10V	120-277	MH250	PLTSN111412	5.1 Premium

DIMENSIONS



DIMENSIONS

Height: 6.61"

Diameter: 11.8"

Weight: 5.3 lbs.

PHOTOMETRICS

