

EMERGENCY LED DRIVER INSTALLATION - WARNING

IMPORTANT SAFEGUARDS READ AND FOLLOW ALL SAFETY INSTRUCTIONS

When using electrical equipment, basic safety precautions should always be followed including the following:

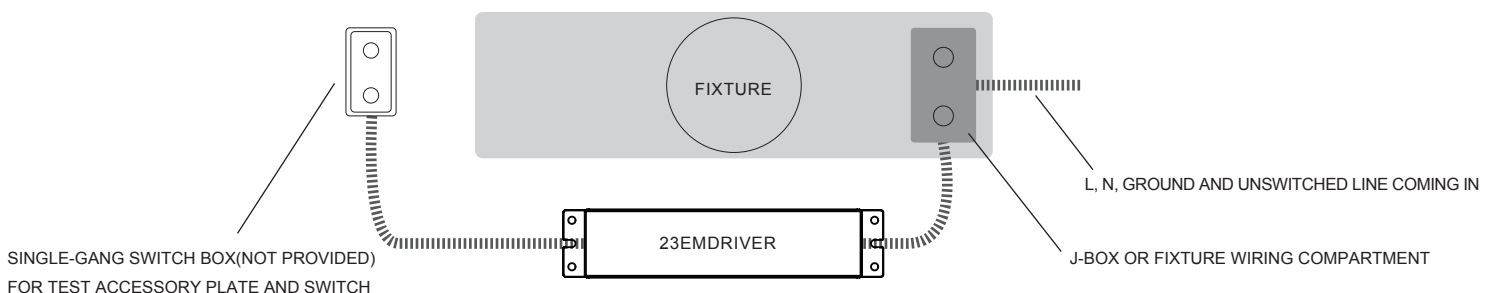
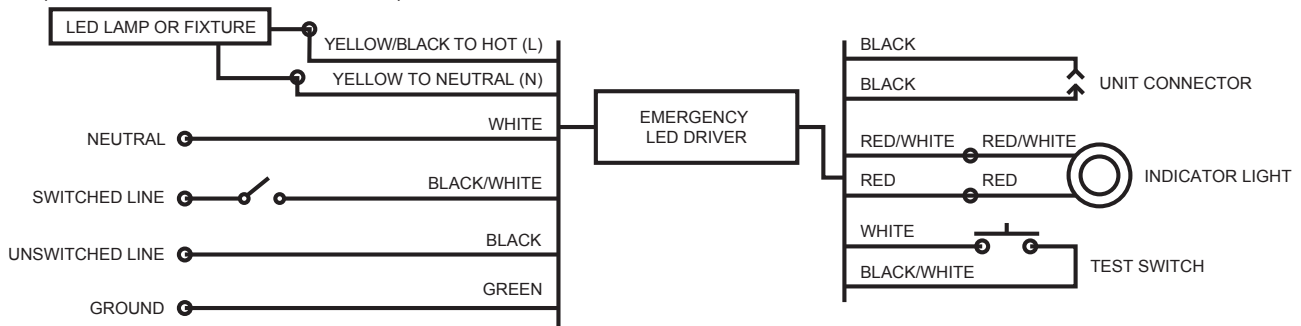
- WARNING** – Read all product labels and instructions before installation.
- WARNING** – Turn off power before installation, inspection or removal.
- WARNING** – Installation and servicing should be done by qualified personnel only in accordance with the National Electrical Code and local regulations.
De-energize before opening.
- WARNING** – This unit provides more than one power supply connection point. To reduce the risk of electrical shock, disconnect both normal and emergency sources by turning off the A.C. branch circuit and by disconnecting the unit connector before servicing.
- WARNING** – Sealed unit. Battery not replaceable. Replace entire unit when necessary.
- WARNING** – This unit requires an unswitched power source of 120-277VAC, 50-60Hz.
 - For use with 120-277VAC line voltage products rated 23W or less.
 - Electricians or end-users must confirm system compatibility before final installation.
 - Operates in emergency mode for 90 minutes.
 - 24-hour recharge time.
 - For use in an operating environment ranging from 50°F / 10°C to 122°F / 50°C.
 - Suitable for use in damp locations.
 - Unit must be grounded.
 - Do not use outdoors.
 - Do not mount near gas or electric heaters.
 - Equipment should be mounted in locations and at heights where it will not be subjected to tampering by unauthorized personnel.
 - The use of accessory equipment not recommended by the manufacturer may cause an unsafe condition.
 - Do not use this equipment for other than its intended use.
 - Use with grounded, UL Listed, damp location rated fixtures and case should be grounded.
 - The Emergency LED Driver is intended for ordinary locations and for permanent installation into one or more Listed luminaires.

CAUTION – Device has to be checked and re-activated to keep emergency function after installation

SAVE THESE INSTRUCTIONS

EMERGENCY LED DRIVER INSTALLATION

1. Make sure the POWER IS TURNED OFF at the source to the location at which you are installing the unit.
2. Secure the EMERGENCY LED DRIVER to the fixture or in a position in the ceiling that does not interfere with any existing hardware. Installation should comply with local regulations.
3. For switched power applications, make sure an unswitched line also exists in the J-box or fixture wiring compartment.
4. Insert the flex conduit that connects to line voltage into the J-box or fixture wiring compartment and wire according to the wiring diagram below. To prevent electrical shock, pair the unit connector last.
5. For unswitched constant power applications (emergency only, light is off in normal condition) connect the incoming unswitched line to the unit's black wire and cap off the unit's black/white switched line.
6. Install the test accessory plate in a single-gang switch box (not provided) in the ceiling near the fixture and wire according to the wiring diagram below. Make sure the indicator light and test switch are wired correctly.
7. For testing and maintenance refer to the Test Button & Indicator Light section below.
8. Restore power at the source and installation is complete.



TEST SWITCH & INDICATOR LIGHT

Normal Mode (Power On)

Press <3 sec – Simulates a power outage. Lamp or fixture will enter emergency mode and run off the EMERGENCY LED DRIVER's battery power

Press for 3-6 sec – Unit will enter monthly self-check mode and will discharge for approximately 3 minutes. During this time the indicator light will flash green 1x/sec. Press the button anytime to stop self-check mode.

Press for >6 sec – Unit will enter annual self-check mode and discharge for 90 minutes minimum until fully discharged. During this time the indicator light will flash green 3x/sec. Press the button anytime to stop self-check mode.

Note: Allow the unit to charge for at least 1 hour to conduct a short test and 24 hours to conduct a full discharge test

Emergency Mode (Power Outage/Main Off)

Press for <6 sec – Unit will turn off. Press the button again to turn it back on.

Press for >6 sec – Unit completely turns off and will not function as normal again until the main power is restored.

Indicator Light

Red – Unit is charging

Green – Unit is fully charged

Green Flashing – Unit is in monthly or annual self-check mode

Yellow – Unit needs to be replaced or system maintenance is required

Off – Unit is in emergency mode

MAXIMUM MOUNTING HEIGHT

MODEL	LAMPS/LUMINAIRES	MAXIMUM MOUNTING HEIGHT
23EMDRIVER	GREEN CREATIVE LTD, Cat. No. SLFT8/80CCT2750/DIM010UNV LED manufactured by Shenzhen MTC Lighting Co., Ltd., MTXB-2837WB-MXX	28-9/16'

OTHER LAMPS OR LUMINAIRES MAXIMUM MOUNTING HEIGHT CAN BE CALCULATED AS FOLLOW:

$$\text{MAXIMUM MOUNTING HEIGHT} = H_t (fc_t)^{1/2}$$

in which

H_t is the lamp or luminaire test height, in feet, and fc_t is the average of the two illuminance measurements on the ground, in foot-candles, at the test height.