



# COLOR/WATTAGE SELECTABLE LED WALL PACK

## WARNING, CAUTION, SAFETY AND INSTALLATION INSTRUCTIONS

### WARNING

- Installation, service, and maintenance of luminaries should be performed by a qualified licensed electrician.

### CAUTION

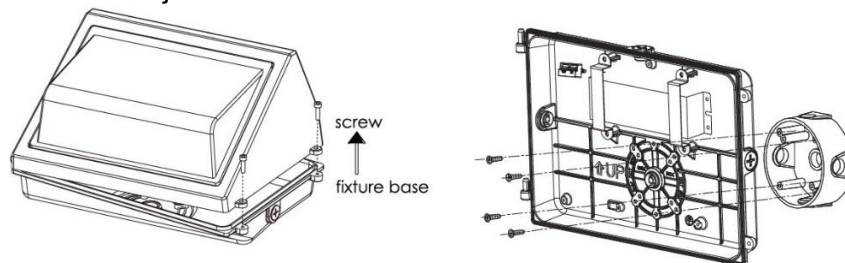
- This fixture must be wired in accordance with the national electrical code and applicable local codes and ordinances.
- Tighten all fixture components to their recommended torque values.

### Installation Instructions

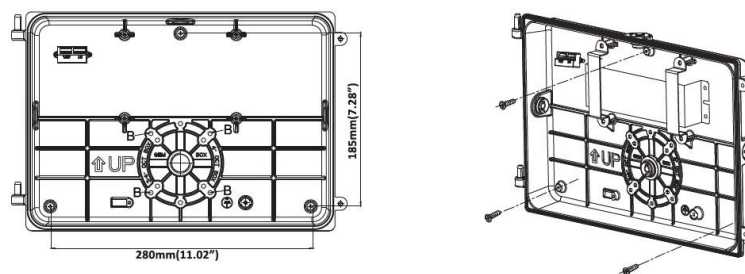
Step 1. Open the cover by unscrewing the screws that are located on the side of the wall pack, then separate the male and female connectors.

Step 2. Attach the rear housing to the wall.

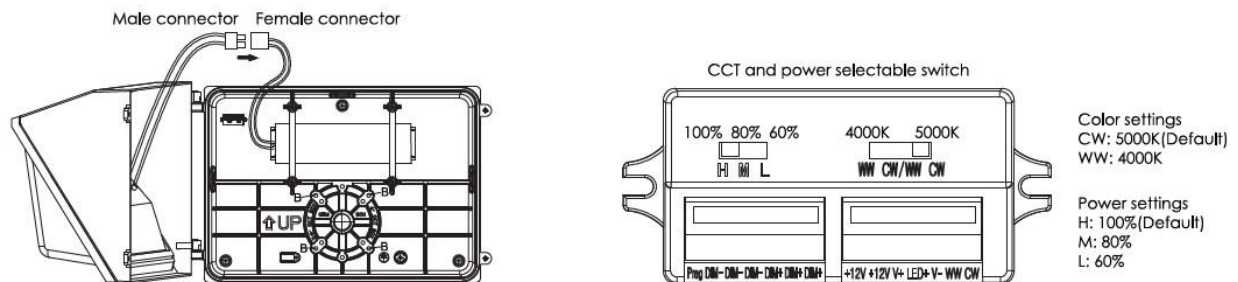
**Method 1:** Remove the pre-cast locators at the back of the housing and fix the fixture with four screws (not provided) to the standard junction box on the wall.



**Method 2:** Drill holes at the required three mounting points. Mount the fixture by securing the mounting screws (not provided) through the holes and seal the screw heads with appropriate waterproofing material.



Step 3. Connect the male and female connectors together and select your required CCT and power by using the DIP switches.

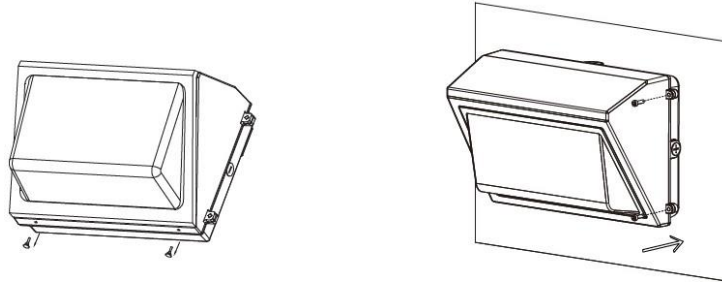




# COLOR/WATTAGE SELECTABLE LED WALL PACK

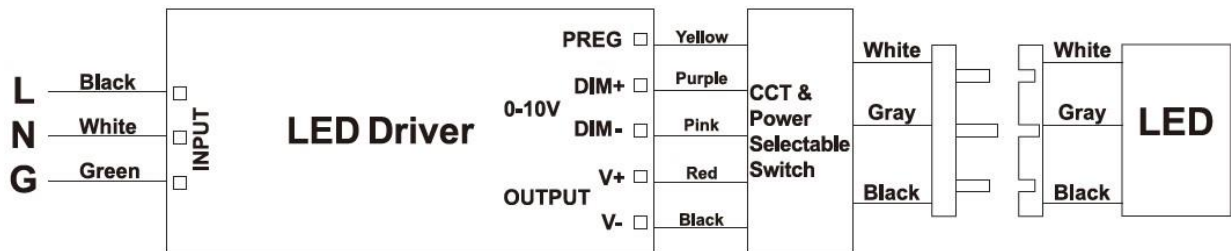
## WARNING, CAUTION, SAFETY AND INSTALLATION INSTRUCTIONS

- Step 4. Remove the two plugs from the housing. Close the diffuser and lock it with the two diffuser door screws.
- Step 5. Make sure all wiring access holes are sealed properly for waterproofing purposes.
- Step 6. Turn on the electricity to verify your successful installation.

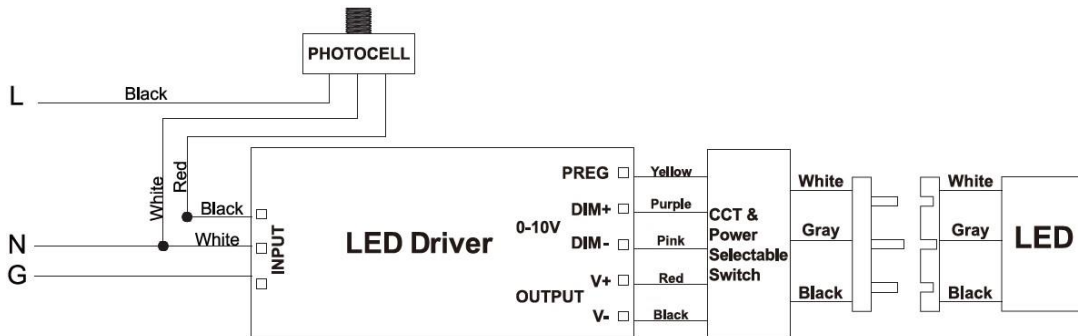


### Wiring Diagrams

#### Without Photocell



#### With Photocell



### ⚠ WARNING

- Before installing, servicing, or performing routine maintenance upon this equipment, follow these general precautions.
- To reduce the risk of death, personal injury, or property damage from fire, electric shock, falling parts, cuts/abrasions, and other hazards, read all warnings and instructions included with and on the fixture box and all fixture labels.



## COLOR/WATTAGE SELECTABLE LED WALL PACK

### WARNING, CAUTION, SAFETY AND INSTALLATION INSTRUCTIONS

- Proper grounding is required to ensure safety.
- Power must be turned off at the breaker before installation or maintenance.
- This product must be installed in accordance with the applicable installation code by a person familiar with the construction and operation of the product and the hazards involved.
- Wear gloves and eye protection at all times while installing, servicing, or performing maintenance on the luminaire, and avoid direct eye exposure to the light source while it is on.
- To prevent wiring damage or abrasion, do not expose wiring to edges of sheet metal or other sharp objects.
- Do not install damaged product. Inspect luminaire for damage that may have occurred during transit. If damaged, contact the manufacturer immediately.
- These instructions do not purport to cover all details or variations in equipment nor to provide every possible contingency to meet in connection with installation, operation, or maintenance. Should further information be desired or should particular problems arise which are not covered sufficiently for the purchaser's or owner's purposes, contact the manufacturer.

### **⚠ ADVERTENCIA**

- Antes de instalar, reparar o realizar el mantenimiento de rutina de este equipo, siga estas precauciones generales.
- Para reducir el riesgo de muerte, lesiones personales o daños a la propiedad por fuego, descarga eléctrica, caída de piezas, cortes / abrasiones y otros peligros, lea todas las advertencias y instrucciones incluidas con y en la caja del dispositivo y todas las etiquetas del dispositivo.
- Se requiere una conexión a tierra adecuada para garantizar la seguridad.
- Se debe apagar la energía en el disyuntor antes de la instalación o el mantenimiento.
- Este producto debe ser instalado de acuerdo con el código de instalación aplicable por una persona familiarizada con la construcción y operación del producto y los peligros involucrados.
- Utilice guantes y protección para los ojos en todo momento durante la instalación, el servicio o el mantenimiento de la luminaria, y evite la exposición directa de los ojos a la fuente de luz mientras está encendida.
- Para evitar daños o abrasiones en el cableado, no exponga el cableado a bordes de láminas de metal u otros objetos afilados.
- No instale un producto dañado. Inspeccione la luminaria en busca de daños que puedan haber ocurrido durante el tránsito. Si está dañado, comuníquese con el fabricante de inmediato.
- Estas instrucciones no pretenden cubrir todos los detalles o variaciones en el equipo ni proporcionar todas las posibles contingencias a cumplir en relación con la instalación, operación o mantenimiento. Si desea obtener más información o si surgen problemas particulares que no están suficientemente cubiertos para los propósitos del comprador o propietario, comuníquese con el fabricante.