

Standard wire:

L/live wire: Black\Brown;

N/null wire:White\Blue;

Ground wire: Green\Yellow-green.

Note: To meet the requirements of DLC certification, lamps are limited to the same side of the light-emitting use (see Figure 1), not in different directions of irradiation use (see Figure 2/3).

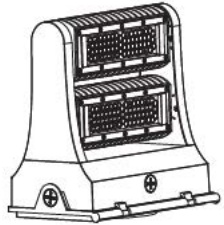


Figure 1



Figure 2

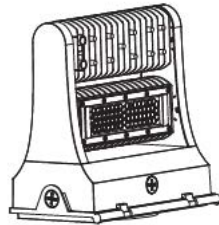


Figure 3

Warning/Advertisement:

SUITABLE FOR WET LOCATIONS

CAUTION – RISK OF SHOCK

DISCONNECT POWER BEFORE SERVICING

CAUTION – RISK OF FIRE

MIN 75 °C SUPPLY CONDUCTORS

SUITABLE FOR OPERATION IN AMBIENT NOT EXCEEDING 113°F

CONVIENT AUX EMPLACEMENTS MOUILLÉS

ATTENTION – RISQUE DE CHOC

COUPER L'ALIMENTATION AVANT L'ENTRETIEN

ATTENTION – RISQUE D'INCENDIE

LES FILS D'ALIMENTATION 75 °C MIN

PEUT ÊTRE UTILISÉ À UNE TEMPÉRATURE AMBIANTE N'EXCÉDANT PAS 45 °C

Rotatable Wallpack LED Luminaire Instruction

Warning :

1. Do not use an electric generator to test this fixture;
2. This luminaire must be installed in accordance with your local electrical codes and requirements;
3. Do not install the luminaire on rainy days, to avoid lightning strike and damage to luminaire.

Installation notice :

1. This luminaire must be installed by a qualified electrician to avoid electric shock and fire accident;
2. Wear gloves before installation in order to avoid injury;
3. Turn off the power immediately when there is smoke and fire during installation, ensure electrical professionals make necessary corrections;
4. This luminaire is suitable for outdoor use.

Installation :

Step 1: Use a screwdriver to loosen the screws connecting the lamp base so as to remove the lamp base cover (Figure 1 & Figure 2) ;

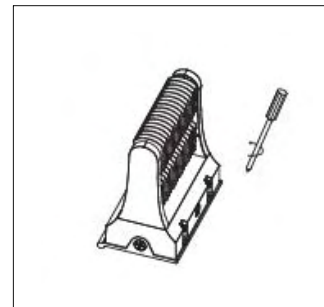


Figure 1

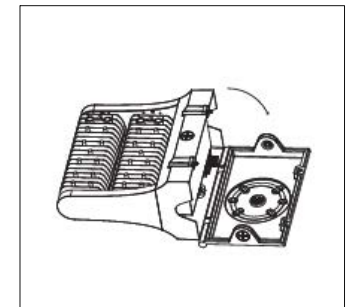


Figure 2

Installation Instruction

Step 2: Drill installation holes at the bottom of light, apply the EVA mat (Figure 3 & Figure 4) ;

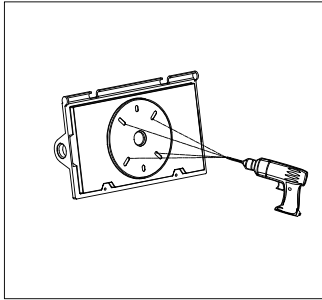


Figure 3

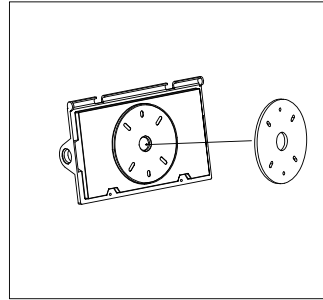


Figure 4

Step 3: Drill holes on the wall according to the locating plate (Figure 5) ;

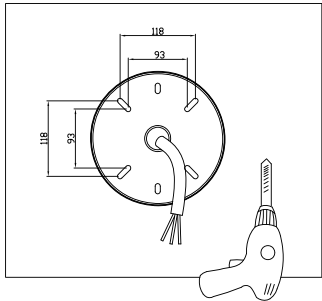


Figure 5

Step 4: Fix rubber plugs into holes (Figure 6) ;

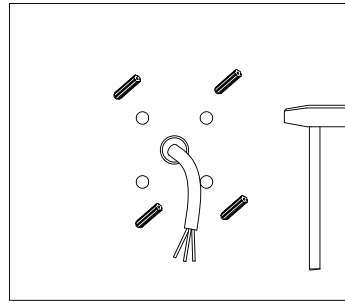


Figure 6

Step 5: Align the holes on the lamp base with the holes on the wall, and tighten the screws (Figure 7) ;

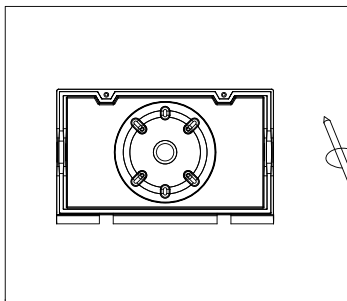


Figure 7

Installation Instruction

Step 6: Buckle the rotating shaft of the lamp base from the back of the cover and connect the wires properly (Figure 8 & Figure 9) ;

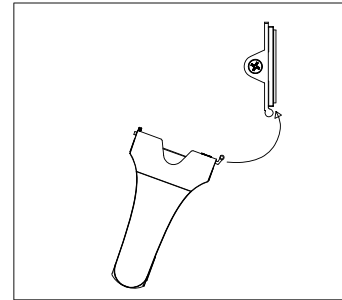


Figure 8

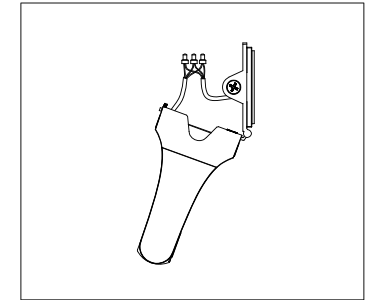


Figure 9

Step 7: Align the fixture and tighten the screws of the lamp base (Figure 10 & Figure 11) .

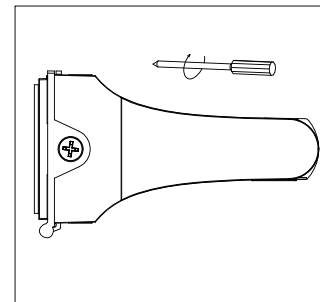


Figure 10

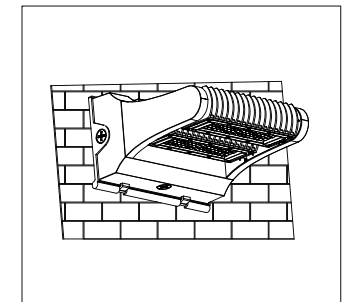


Figure 11

NOTE: Lamp color temperature and power can be adjusted as needed before locking the back cover.

