

LED Strip Installation Instruction

Cautions:

1. Do not use an electric generator to test this fixture.
2. Please abide by related country, regional and local law and regulations when installing this fixture.
3. Please turn off the power before installation or maintenance.
4. Proper earth grounding is required to ensure safety.

Notice:

1. To avoid the possibility of electrical shock or fire, the installation personnel must have professional electric knowledge.
2. Please wear gloves to avoid injury before installation.
3. If any smoke or spark of the wire occurs, please turn off the power immediately and notify relevant personnel.

Attention:

1. Please check if there is any damage during shipping. If so, please contact manufacturer at once.
2. Please read the installation instruction carefully to check whether all the accessories are complete. After confirmation, then install the fixture according to installation steps.

Wiring Diagram & Instruction:

3 dimming functions are available in this high bay light:

1. Constant current can be achieved by 0-10VDC dimming;
2. PWM signal dimming;
3. Variation of resistance unit dimming.

Wiring Instruction

L:Black
N:White
⊕:Green/Yellow
DIM+:Purple
DIM-:Grey

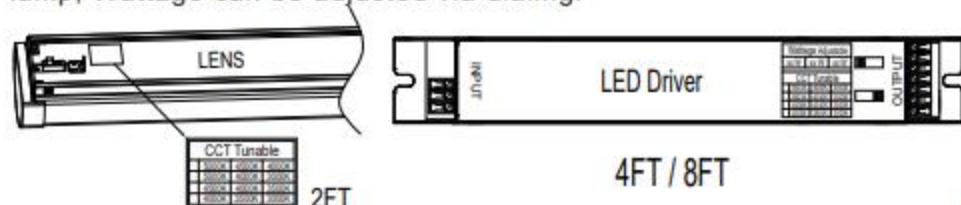


Description:	
This product is 0-10V dimming, below dimmers are recommended:	
Brand	Model
LUTON	NTSTV-DV
LEVITON	DS 710-10Z / IP710
LEGRAND	RH4 FBL3PW

Please choose the appropriate dimming way according to your needs. You can also choose not to use this function. Round lampshade or square lampshade will not affect the installation method or function expansion of the product.

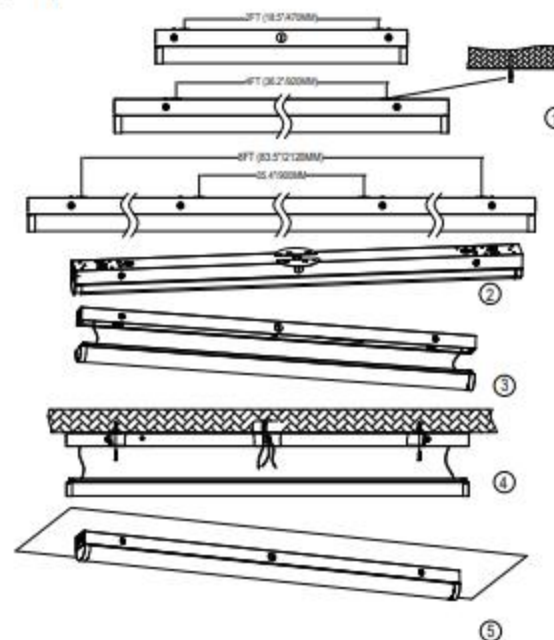
CCT or Wattage Tunable:

Step1. Press the screws on both sides of the lamp by hand to open the lamp, Wattage can be adjusted via dialing.



Surface Mounting

- Step1. According to the different lengths of the product, drill holes at the corresponding positions and drive the rubber plugs from the accessory kit into the holes (Figure 1)
- Step2. Clamp the disc from the accessory kit to the lamp (this step can be omitted if the light fixture can completely cover the junction box on the wall) (figure 2)
- Step3. Press the screws on both sides of the lamp by hand to open the lamp (Figure 3)
- Step4. Lead the wire into the lamp and install the lamp chassis by using the screws in the accessory kit (figure 4)
- Step5. Connect the wires according to safety requirements, and then install the lamp body back to the chassis.(Figure 5)
(Product connection: 20W lamps can be connected to maximum 50pcs and 70W 10pcs)



Warning / Avertissement

MIN 90 °C SUPPLY CONDUCTORS
CONSULT A QUALIFIED ELECTRICIAN TO ENSURE CORRECT BRANCH CIRCUIT CONDUCTOR
LES FILS D'ALIMENTATION 90 °C MIN
CONSULTER UN ÉLECTRICIEN QUALIFIÉ POUR VOUS ASSURER QUE LES CONDUCTEURS DE LA DÉRIVATION SONT ADÉQUATS