

Stonco KEENE

by  Signify

Floodlighting

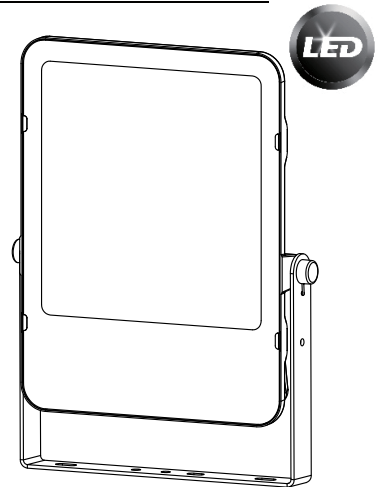
Slim Flood

TF100-NW-G1-Y-FL-8-BZ
TF150-NW-G1-Y-FL-8-BZ
TF200-NW-G1-Y-FL-8-BZ

INSTALLATION INSTRUCTIONS

IMPORTANT: READ BEFORE REMOVING FIXTURE FROM CARTON. RETAIN FOR FUTURE REFERENCE. This fixture must be wired and installed in accordance with the NATIONAL ELECTRICAL CODE and all state and applicable local codes and ordinances. These codes and ordinances supersede any and all instruction contained herein. Installation should be performed only by a licensed and bonded electrician and a person familiar with the construction and operation of the product and the hazards involved in the installation and operation of this product. Proper grounding is required for safety. Make certain power is OFF before installing or maintaining fixture. Failure to do so may increase the RISK OF PERSONAL INJURY, PROPERTY DAMAGE, FIRE, AND DEATH. The manufacturer takes no responsibility for the product not installed under those guidelines and those contained in this document. See wiring diagram below.

CAUTION: For proper weatherproof function, all gaskets must be seated properly, and all screws inserted and tightened firmly. Apply weatherproof silicone sealant (NOT included) around the edge of the Wall Box and/or Junction Box. This is especially important with an uneven wall surface. Silicone all plugs and unused conduit entries where applicable.



IMPORTANT

Before assembling fixture please read and understand these instructions.

- Proper grounding is required to ensure safety of property and people.
- Luminaire must be installed by a qualified licensed electrician.
- Save these instructions for future reference.

TRUNNION MOUNT

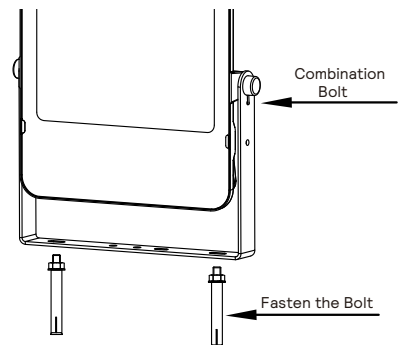
Install according to the National Electrical Code.

NOTE: This luminaire does not include a splice box.

Make sure power is turned off during installation.

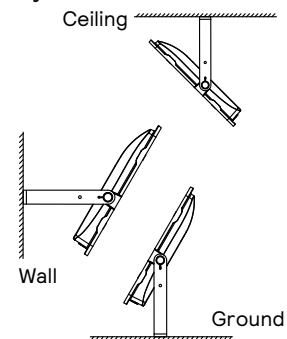
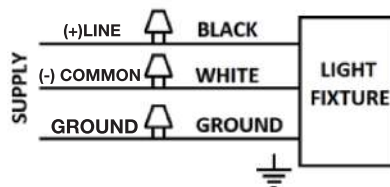
1. Connect wiring.
2. Attach luminaire by trunion to a secure junction box, frame or structure. If box will be remote, remove mounting nut connector and secure the luminaire with bolts. Integrity of the box, frame or structure is the installer's responsibility.
3. Aim luminaire as desired before fully tightening mounting hardware.

Torque(Nm)	10W	30W	50W
Combination Bolt	8	8	8
Fasten the Bolt	1.8	8	8



WIRING

- Make sure that the mains voltage is appropriate and conforms with the luminaire driver.
- Connect fixture **GROUND** (green) wire to power supply **GROUND** (green) wire.
- Connect fixture **WHITE** wire to power supply (-) **COMMON** wire.
- Connect fixture **BLACK** wire to power supply (+) **LINE** wire.



CONSULT A QUALIFIED ELECTRICIAN TO ENSURE CORRECT BRANCH CIRCUIT CONDUCTOR

 Signify