

Features Specifications

This PL LED shop light fixture combines a traditional linear design with high output LED chips to provide an energy efficient low maintenance fixture suitable for replacing existing fluorescent strip light fixtures. This medium duty fixture is for interior warehouse retail and utility areas requiring general illumination in a commercial quality strip configuration.

CONSTRUCTION – Galvanized steel housing for lasting durability. Polymethyl methacrylate (PMMA), also known as acrylic, is a non-yellowing material that protects the LED tubes (sold separately) and provides even light distribution.

OPTICS – LED ready troffer fixtures are compatible with 4 single-ended direct wire LED tubes (Sold Separately).

ELECTRICAL – Compatible with 120-277 line voltage. Pre-wired non-shunted sockets. Issues commonly associated with ballast driven fixtures such as humming, flickering, and failures are eliminated.

INSTALLATION – Designed for recessed mounting in T-grid or dropped ceilings. See Installation Instruction PDF for more information.

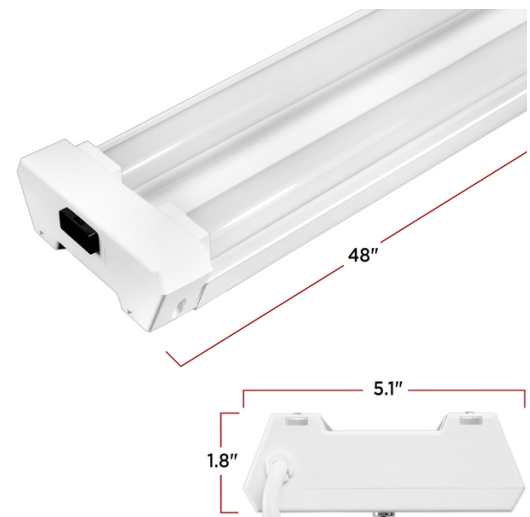
LISTINGS – UL Certified to safety standards. Rated for damp locations.

WARRANTY – 2-year warranty. PLT products that are damaged or defective will be repaired or replaced at PLT's choosing for a period of 2 years. Contact 1-800-624-4488 for more information.

ADD-ONS – Pair with timers and motion sensors for hassle free lighting and energy savings without needing to worry about manually turning the fixture on and off. If pairing with a motion sensor, it must be LED compatible in order to operate properly. While conventional light sensors will still work with LED fixtures at first, they will burn out prematurely.



Dimensions
 Height: 1.8 in.
 Width: 5.14 in.
 Length: 47.5 in.



SKU #	Kelvin	Lumens	CRI	Wattage	Life Hours	DLC?	Mounting	Voltage	Warranty
PLT-11668	4000	4000	80	40	50000	NO	CHAIN/SURFACE	120	3 YEARS