



MODEL NO: _____
 TYPE: _____
 PROJECT: _____
 COMMENTS: _____

INITIAL LUMEN OUTPUT
 650 Lumens

LAMPS OPERATED*

(1) 7,9, or 13 Watt Twin Tube **2-PIN** with integral starter
 (1) 9W-13W USA Quad **2-PIN** with integral starter

*Refer to Lumen Reference Chart for list of compatible lamps

DESCRIPTION

The **I13** from IOTA is a UL Listed fluorescent emergency ballast that allows the same fixture to be used for both normal and emergency operation. In the event of a power failure, the **I13** switches to the emergency mode and operates **one** of the existing lamps for **90 minutes**. The unit contains a battery, charger, and inverter circuit in a single can. The **I13** can be used with most 7, 9, & 13 watt **2-pin** twin tube compact fluorescent lamps, with an initial output of up to **650 lumens** for one lamp. The **I13** is available in dual flex **A** or no flex **B** mounting configurations. The **I13** is suitable for use in damp locations and enclosed and gasketed fixtures.

SPECIFICATIONS

Input Voltage	(Dual) 120/277V, 60Hz
Input Wattage	3.5 Watts
Lamps Operated	7,9 & 13 Watt Twin Tube 2-PIN with integral starter 9W-13W USA quad 2-PIN with integral starter
Emergency Operation	90 minutes
Initial Illumination	(1) lamp 650 lumens
Operating Temp	0° to 50° C
Battery	24 Hour Recharge 7-10 Year Life Expectancy
Weight (configuration)	4.4 lbs. (A) 2.5 lbs. (B) 3.4 lbs. (J)
Approval	UL and CUL Listed



PRODUCT ADVANTAGES

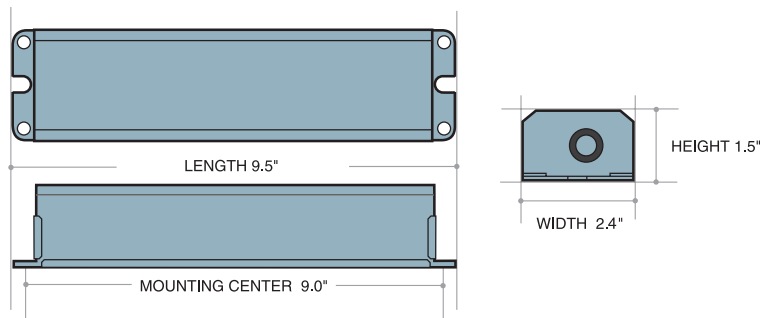
- Available in two different mounting configurations

FEATURES

- Will cold start and operate all specified lamps
- Long life high temperature recyclable Ni-Cad battery
- Galvanized steel case
- Includes test switch and charge indicator accessory kit
- For use with switched or unswitched fixtures
- **5-Year Warranty.**
- Rated for use in damp locations, plenum, and enclosed and gasketed fixtures
- Meets or exceeds all NEC, IBC, and Life Safety Code Emergency Lighting Requirements
- RoHS Compliant

DIMENSIONS

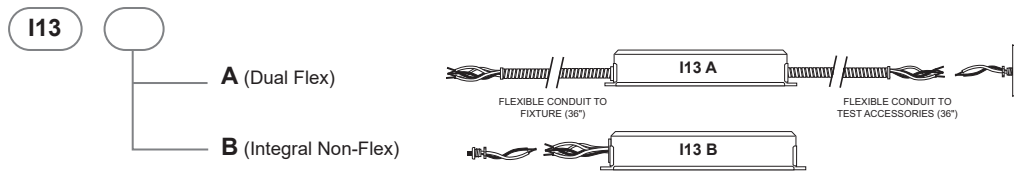
9.5" x 2.4" x 1.5" (mounting center 9.0")



I13

FLUORESCENT EMERGENCY BALLAST FOR 2-PIN LAMPS

CONFIGURATION



INITIAL LUMEN RATINGS

LAMP	1 LAMP
7W PL CF 2-pin	350
9W PL CF 2-pin	500
13W PL CF 2-pin	650

REMOTE MOUNTING

When battery packs are remote mounted, consult Customer Service for the maximum allowable distance between the battery pack and lamp(s).

Warranty: 5-Year Limited Warranty

Complete warranty terms located at www.acuitybrands.com/CustomerResources/Terms_and_conditions.aspx