



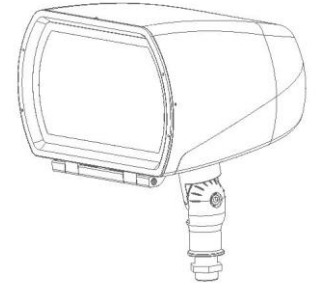
# INSTALLATION INSTRUCTIONS

## 36W CONVERTAFLOOD

### MODEL:

**CFS-36W-U-XX**

(Note: Replace XX with 40 or 50 based on CCT of LED, may be followed by BLK, BRZ, or WHT)



### Model number list:

Item	Model	Input Voltage	Input Watts	Weight
A	CFM-36W	120-277VAC	36W	4.8 lbs.

## 1. Introduction

- This LED Flood uses the latest in lighting technology for long life, low maintenance, and easy adaptability.
- This driver allows operation on nominal 120V-277V, 50-60Hz AC supply without any variation in light output.
- Suitable for use in the following locations:
  - Min. Ambient Temp: -22°F (-30°C)
  - Max Ambient Temp: 104°F (+40°C)
  - Suitable for mounting in Wet Locations
  - Suitable for mounting within 1.2m (4 ft.) of the ground.

### **Warning:**

To avoid the risk of fire, explosion, or electric shock, this product shall be installed, inspected, and maintained by a qualified electrician, in accordance with all applicable electrical codes.

### **Warning:**

To avoid electric shock:

- Allow product to cool before servicing.
- Be certain electrical power is OFF before and during installation or maintenance.
- Luminaire must be connected to a wiring system with equipment-grounding conductor.

### **Warning:**

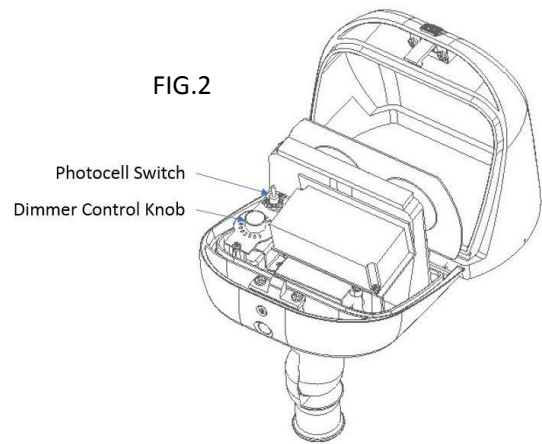
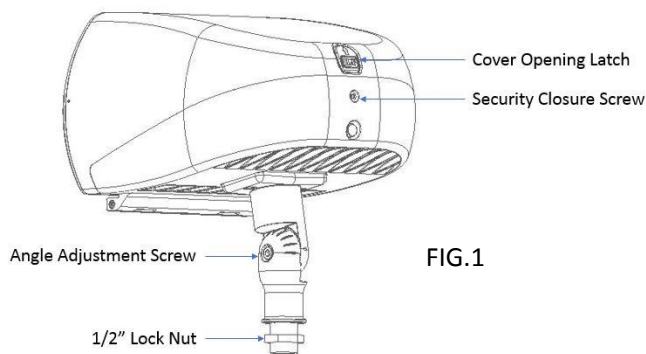
To avoid explosion:

- Make sure the supply voltage is the same as the rated luminaire voltage.
- Do not operate in ambient temperatures above those indicated for the luminaire.

**ILP – Industrial Lighting Products, LLC**

519 Codisco Way, Sanford, FL 32771  
Phone: (407) 478 3759 Fax: (407) 478 3760  
www.ilp-inc.com

## 2. Installation



### Step 1

Mount the fixture to any metal 1/2" NPS female threaded connection (supplied by others) and securely attach via the 1/2" Lock Nut (FIG.1). Please mount the fixture prior to making wiring connections.

### Step 2

Open the back cover by using the provided tool to loosen the security closure screw (FIG.1), hold and compress fixture lightly while depressing the cover opening latch. Make any dimming adjustments via the dimmer knob (FIG.2) and if the photocell is to be used make sure the switch is on the "YES" position (FIG.2).

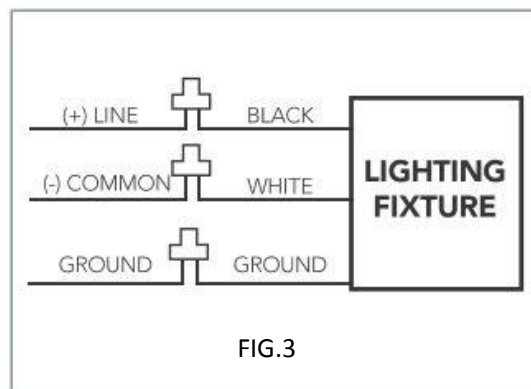
### Step 3

Close the back cover and tighten the security closure screw using the provided tool to approx. 10 ft lbs.

## 3. Electrical Connections

### Step 1

Make the necessary wiring connections (FIG.3).



### After installation, please

- Ensure the lighting fixture is firmly secure to its mount.
- Ensure wires are connected correctly before applying power.

To complete installation, turn power ON, check for proper operation of luminaire.

**ILP – Industrial Lighting Products, LLC**

519 Codisco Way, Sanford, FL 32771  
Phone: (407) 478 3759 Fax: (407) 478 3760  
www.ilp-inc.com