



Item#: **PLT-10772B**  
**LED 8" RETROFIT CAN**  
 INDOOR FIXTURE

**FEATURES**

- Energy efficient: save up to 80% in energy costs
- High lumen output
- Instant-On
- For covered ceilings only
- Suitable for TYPE IC or NON-IC

**APPLICATION**

Ideal for retrofitting inefficient fixtures in malls, hospitals, airports, offices, lobbies and other commercial applications.

**ELECTRICAL**

Wattage	30W
Voltage	100-277V
Output Voltage	36V, 700mA
Current	0.235A
Power Factor	0.95
Total Harmonic Distortion (THD)	<25

**LIGHTING PERFORMANCE**

Lumens	2350
Lumens Per Watt (Lm/W)	78
Color Temperature (CCT)	3000K
Color Rendering (CRI)	83
R9 (Red Value)	12
R13 (Skin Tones)	87
Beam Angle	95°
Light Distribution	Type VS
Dimmable Lighting Control	<i>Dimmable</i> **see note on page 2

**ENVIRONMENT**

Operating Temperature	-40° ~ 104°F
Suitable Location	<b>WET</b> Indoor / Covered Ceilings
Ingress Protection Rating	IP43

**LIFESPAN**

Average Life (Hours)	50,000
Warranty (Years)	<b>3</b>

**COMPONENTS**

LED Light Source	Hongli 2835D
------------------	--------------

**CONSTRUCTION**

Housing	Aluminum Alloy
Base / Power Supply	Hard Wired
Finish	White

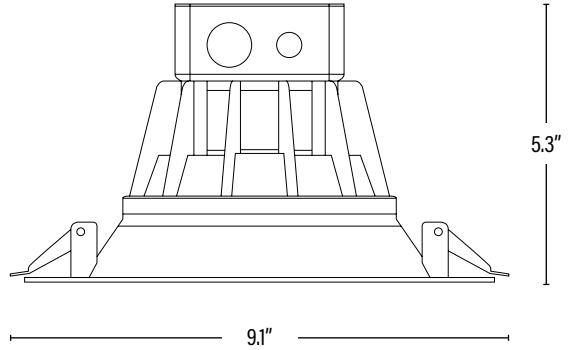
*Published lumens on LED products are approximate and may vary slightly. - Please check Energy Star website for the most current list of approved items - [www.energystar.gov](http://www.energystar.gov)*

Item#: **PLT-10772B**  
**LED 8" RETROFIT CAN**

**DIMENSIONS** (Inches)

Length	--
Width/Diameter	9.1"
Height	5.3"
Weight (Lbs)	--

Line drawings may not be to scale and are for general reference only.



PACKAGING		UPC	DIMENSIONS (LxWxH)	GROSS WEIGHT (Lbs)
Master Carton	6	10811768028604	--	--
Individual Box	1	811768028607	--	--
Country of Origin	China			
HS Tariff	9405.40.8200			

**ORDERING**

ITEM#	DESCRIPTION	CASE
PLT-10772B	LED RETROFIT 8" CAN/WHITE/30W/30K/100-277V/DIMMABLE - ENERGY STAR®	6

**ADDITIONAL INFORMATION:**

*\*\*PLT-10772B produced in 2016 thru 2017 are only dimmable at 120V, please reference compatibility chart.*

*\*\*PLT-10772B produced in 2018 and in the future are 0-10V dimming, no compatibility chart required. Production date code can be found on the etch.*