

Installation Instruction

WARNING

- To reduce the risk of death, personal injury or property damage from fire, electric shock, falling parts, cuts/abrasions, and other hazards read all warnings and instructions included with and on the fixture box and all fixture labels.
- Before installing, servicing, or performing routine maintenance upon this equipment, follow these general precautions.
- Commercial installation, service and maintenance of luminaires should be performed by a qualified licensed electrician.
- For the installation: If you are unsure about the installation or maintenance of the luminaires, consult a qualified licensed electrician and check your local electrical code.
- To prevent wiring damage or abrasion, do not expose wiring to edges of sheet metal or other sharp objects.
- Do not make or alter any open holes in an enclosure of wiring or electrical components during kit installation.

WARNING

- Turn off electrical power at fuse or circuit breaker box before wiring fixture to the power supply.
- Turn off the power when you perform any maintenance.
- Verify that supply voltage is correct by comparing it with the luminaire label information.
- All wiring connections should be capped with UL approved wire connectors.

CAUTION

- Avoid direct eye exposure to the light source while it is on.
- Account for small parts and destroy packing material, as these may be hazardous to children.
- Risk of burn. Disconnect power and allow fixture to cool before handling fixture.

NOTICE: Green ground screw provided in proper location. Do not relocate.

NOTICE: Minimum 90° supply conductors.

NOTICE: Specifications and dimensions subject to change without notice.

NOTICE: Suitable for Dry or Damp location.

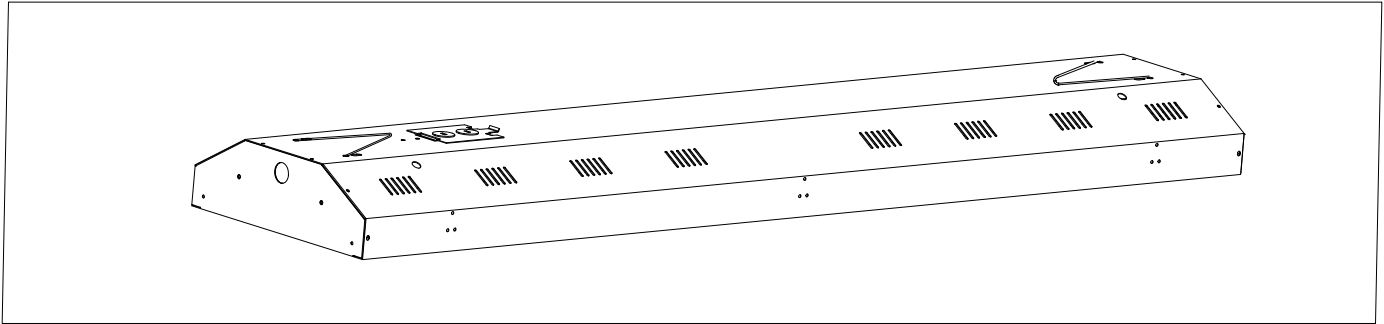


Any further questions or interests, pls visit
www.pltlighting.com

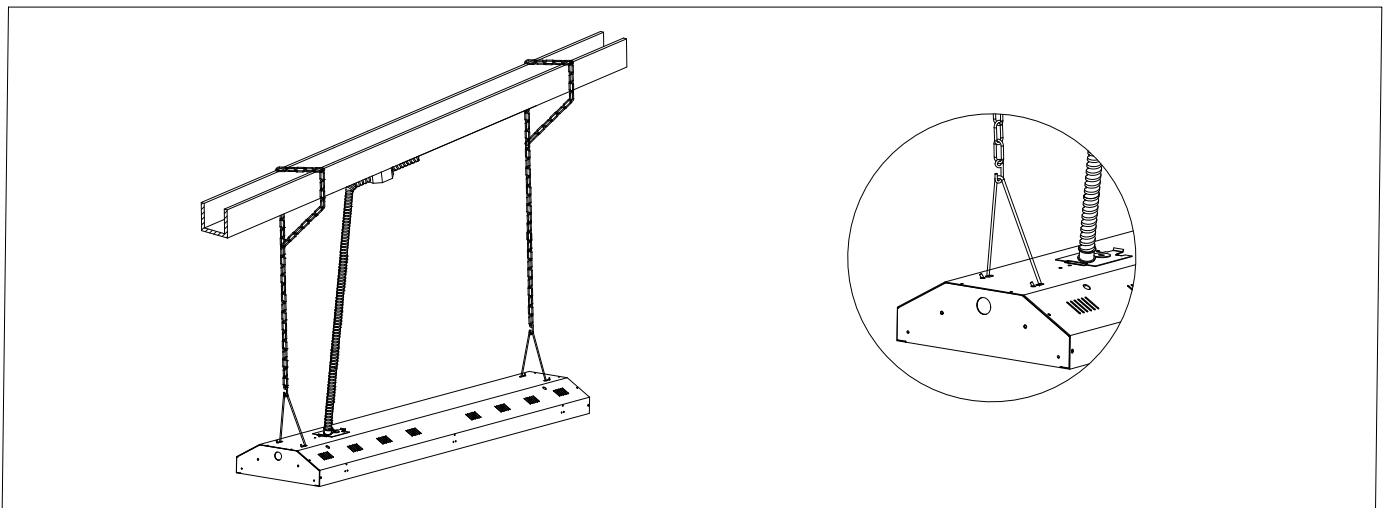
Installation Instruction

Always turn off the power supply from main circuit breaker first!

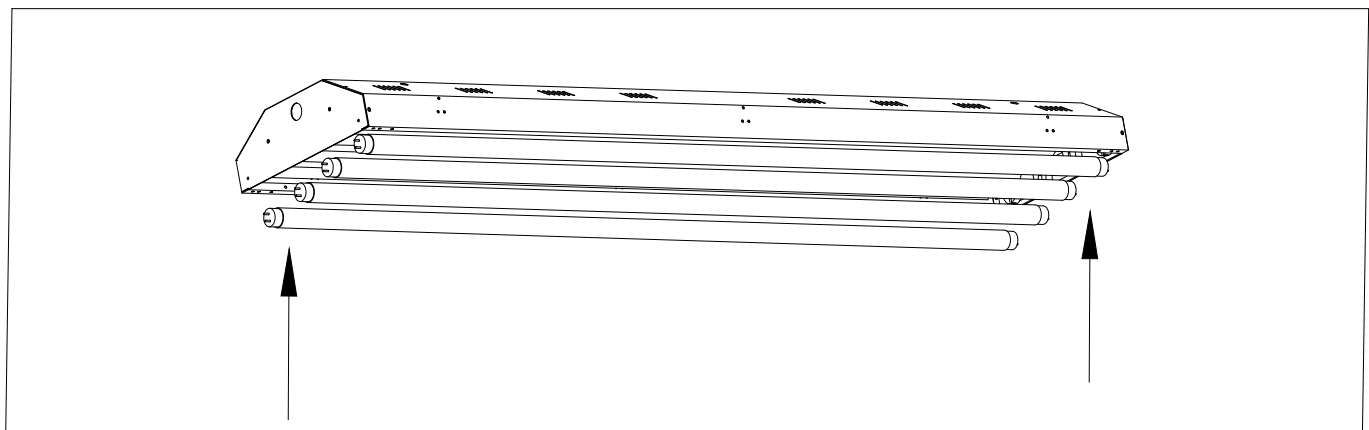
1.Remove product from packaging.



2.Install the fixture. Attach the provided chains to the included v-hooks,then insert the v-hooks into the slotted holes on top of both ends of the fixture.Connect the wires to the AC power and grounding leads.Make sure the wires are enclosed in the flexible metallic conduit.



3.Install the end of each LED lamp which is marked to receive power into a lamp holder to which power will be connected.

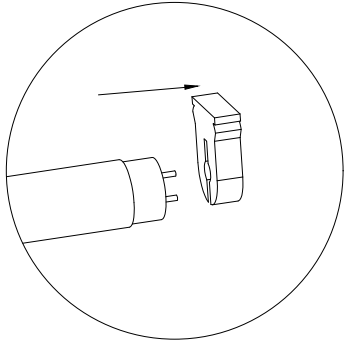


Any further questions or interests,pls visit
www.pltlighting.com

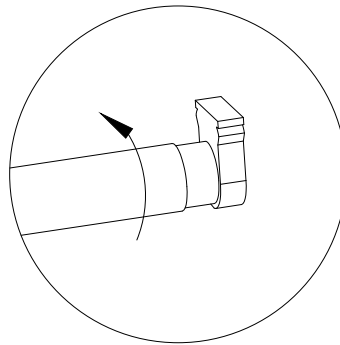
Installation Instruction

Always turn off the power supply from main circuit breaker first!

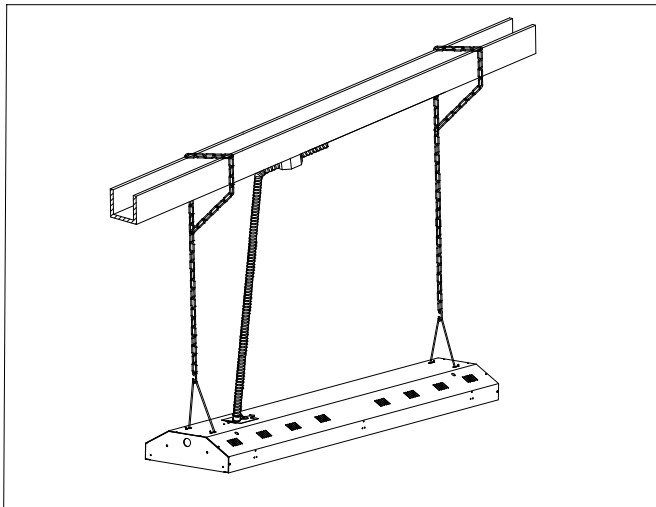
4. Insert the lamp into the lamp holder.



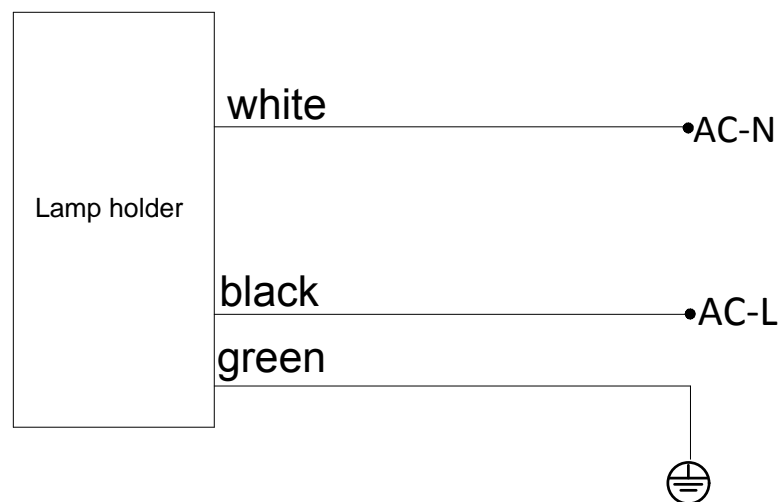
5. Rotate 90 degrees.



6. The installation is completed.



General Wiring Diagram



Any further questions or interests, pls visit
www.pltlighting.com