



Features & Benefits

- DLC Premium Qualified
- IP65 Rated
- 4kV surge protection
- Long life LED chips
- Uniform and consistent color
- Excellent thermal design
- Shatter-resistant polycarbonate lens
- Finish: Aluminum die-cast
- 0-10V Dimming



Optics designed for parking garage applications

Applications

- Warehouses
- Offices
- Factories
- Hospitals
- Hotels

- ▶ Optional Microwave Motion Sensor
- ▶ Optional Emergency Backup Driver



Specifications

- Input line voltage: 120-277V
- Powerfactor >0.9
- Operating temperature: -40°F - 122°F
- 50,000 hrs rated average life



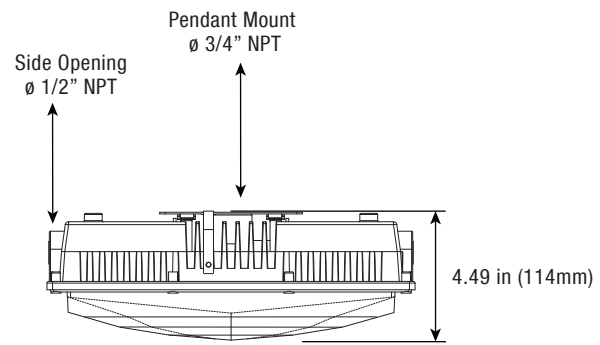
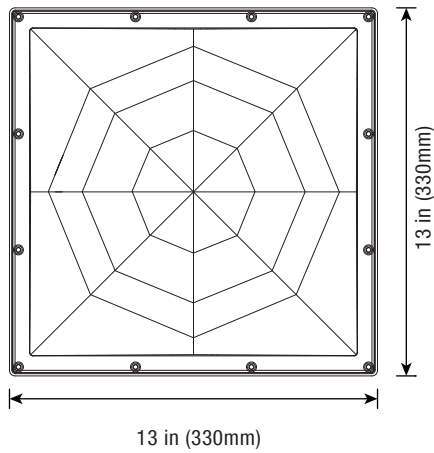
Ordering Information

Description	DLC Listing	CCT	Watt	Lumen	Efficacy (lm/W)	Equivalent Wattage	Power Factor	Rated Hrs	IP
PLT-11694		5000K	60	7,200	120	250W	>0.9	50,000	65
PLT-11695	PLTF142	5000K	100	12,000	120	>400W	>0.9	50,000	65

Product Dimensions

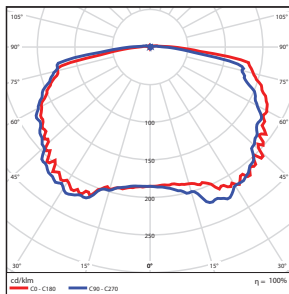
60W Weight: 7.65-lbs

100W Weight: 8.20-lbs



Photometric Data

60 Watt



Zonal Lumen Summary

Zone	Lumens	% Luminaire
0-30	1262.15	17.10
0-40	2241.87	30.30
0-60	4536.93	61.30
60-80	2246.26	30.40
70-80	1051.47	14.20
90-120	1	1.90
90-180	1	2.10
0-180	7396.61	100.00

Total Luminaire Efficiency = 100.00%

Illuminance at a Distance

	Center Beam fc	Beam Width	
2.5ft	367 fc	28.1 ft	24.9 ft
5.0ft	91.7 fc	56.2 ft	49.8 ft
7.5ft	40.8 fc	84.3 ft	74.8 ft
10.0ft	22.9 fc	112.4 ft	99.7 ft
12.5ft	14.7 fc	140.5 ft	124.6 ft
15.0ft	10.2 fc	168.7 ft	149.5 ft

■ Vert. Spread: 159.8°
■ Horiz. Spread: 157.3°