

### Features & Benefits

- IP65 Rated
- 4kV surge protection
- Long life LED chips
- Uniform and consistent color
- Excellent thermal design
- Shatter-resistant polycarbonate lens
- Finish: Aluminum die-cast
- 0-10V Dimming



### Applications

- Warehouses
- Offices
- Factories
- Hospitals
- Hotels

### Specifications

- Input line voltage: 120-277V
- Powerfactor >0.9
- Operating temperature: -40°F - 122°F
- 50,000 hrs rated average life

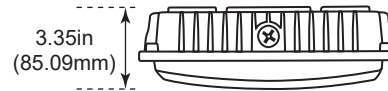
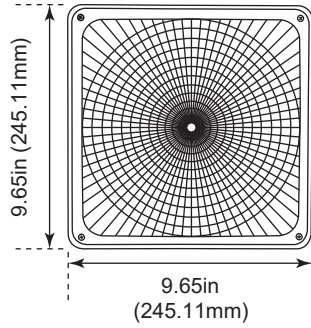


Description	DLC Listing	CCT	Watt	Lumen	Equiv Wattage	Color	Beam Angle	Sensor	Rated Hrs	IP 65
PLT-11692	PLTF112	5000K	42	5,040	175	Black	160°	-	50,000	•
PLT-11693		5000K	59	6,985	250	Black	160°	-	50,000	•

## Product Dimensions

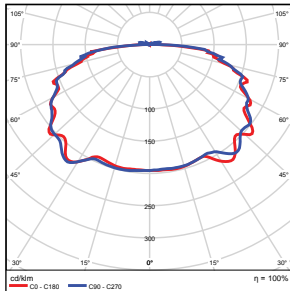
42/59-Watt

Weight: 5.10-lbs



## Photometric Data

### 42 Watt- Slim Lens



### Zonal Lumen Summary

Zone	Lumens	% Luminaire
0-30	808.51	16.60
0-40	1450.8	29.80
0-60	3045.56	62.50
60-80	1425.98	29.30
70-80	653.33	13.40
90-120		1.10
90-180		1.30
0-180	4873.43	100.00

Total Luminaire Efficiency = 100.00%

Distance	Illuminance at a Distance	
	Center Beam fc	Beam Width
5.0ft	38.1 fc	36.1 ft 52.9 ft
10.0ft	9.53 fc	72.2 ft 105.8 ft
15.0ft	4.23 fc	108.3 ft 158.6 ft
20.0ft	2.38 fc	144.4 ft 211.5 ft
25.0ft	1.52 fc	180.5 ft 264.4 ft
30.0ft	1.06 fc	216.6 ft 317.3 ft

■ Vert. Spread: 149.0°  
■ Horiz. Spread: 158.6°