



Input Specs	Rated input voltage	120-277Vac
	Range input voltage	108-305Vac
	Input current	<1.1A
	Input frequency	50/60Hz
	Input frequency range	47-63Hz
	Turn on delay time	≤500ms
	No-load power consumption	≤1.5W
	Stand-by power consumption	≤1W
	Inrush current	<60A
	Power factor(@70%Load to Full load)	≥0.9
THD(@70%Load to Full load)	≤15%	

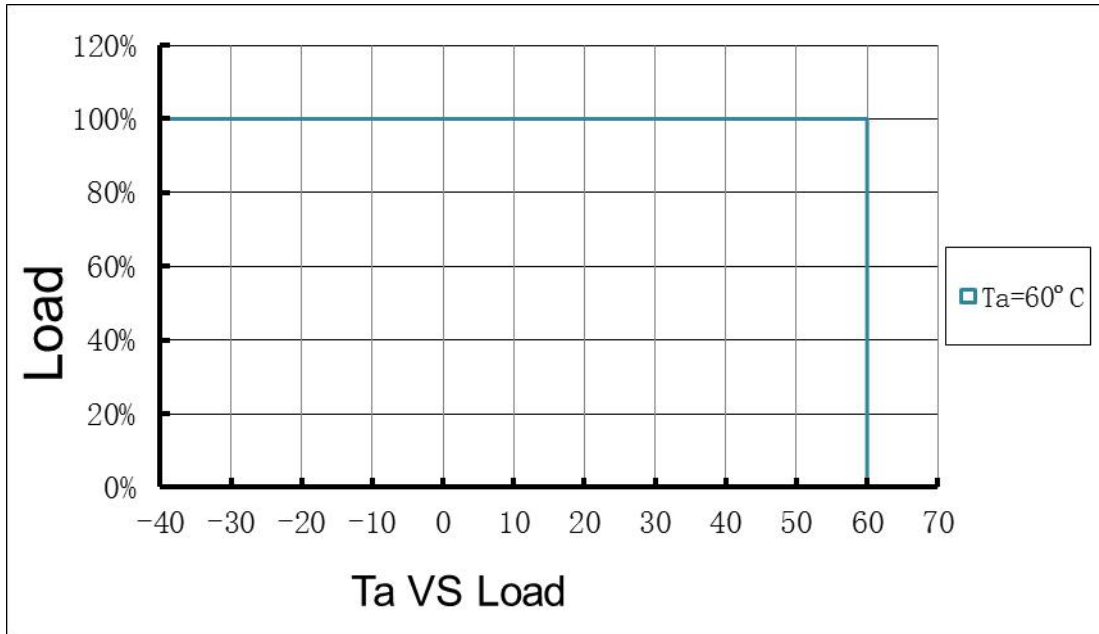
Model Number	Output Voltage Range	Rated Current	OVP	Output Power(Rated)	Efficiency (Full Load)		Output Ripple(Peak to Peak)
					@120Vac	@277Vac	
WP-HHA-100U0521850	35-52	1850	63	96.2	≥88	≥89	<4V

## Environmental

Safety&EMC	Safety Standards	UL8750/CAN/CSA-C22.2 NO. 250.13
	EMC	EN55015 and FCC part 15 class B.
Hi-Pot	I/P-O/P	1.6KVac,5mA,60S;
	I/P-FG	1.5KVac,5mA,60S;
	O/P-FG	1.5KVac,5mA,60S;
lightning surge	ICE61000-4-5	L-N :4KV L&N-PE:6KV
Insulation Resistance	I/P-O/P; O/P-FG; I/P-FG	100Mohm/500Vdc
Leakage current	277Vac input / 277V	<1.6mA
Environmental	MTBF	200,000 hours at 25°C ambient temperature
	Operation temperature	-40 °C to 60 °C
	Humidity	10% to 90%
	Storage temperature	-40°C to 85°C
	Protection Class	IP65
	Environment rating	RoHS
	Case Size(L*W*H)	L*W*H: 9.45" * 1.7" * 1.18"

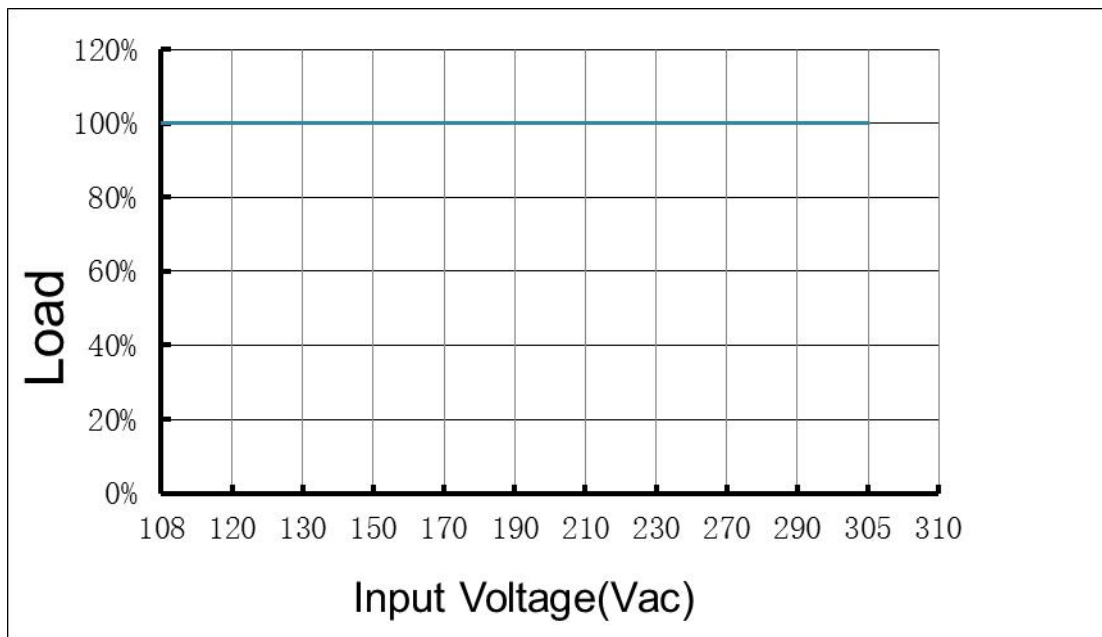
### Derating curve

	-40° C	-25° C	0° C	25° C	45° C	60° C
120V	100%	100%	00%	100%	100%	100%
277V	100%	100%	100%	100%	100%	100%

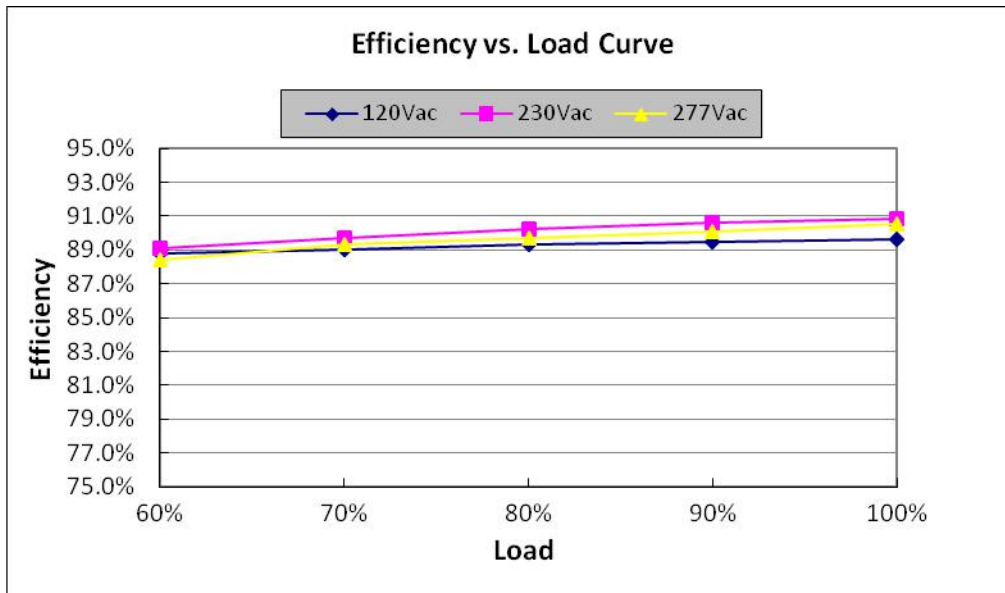


### Static characteristics

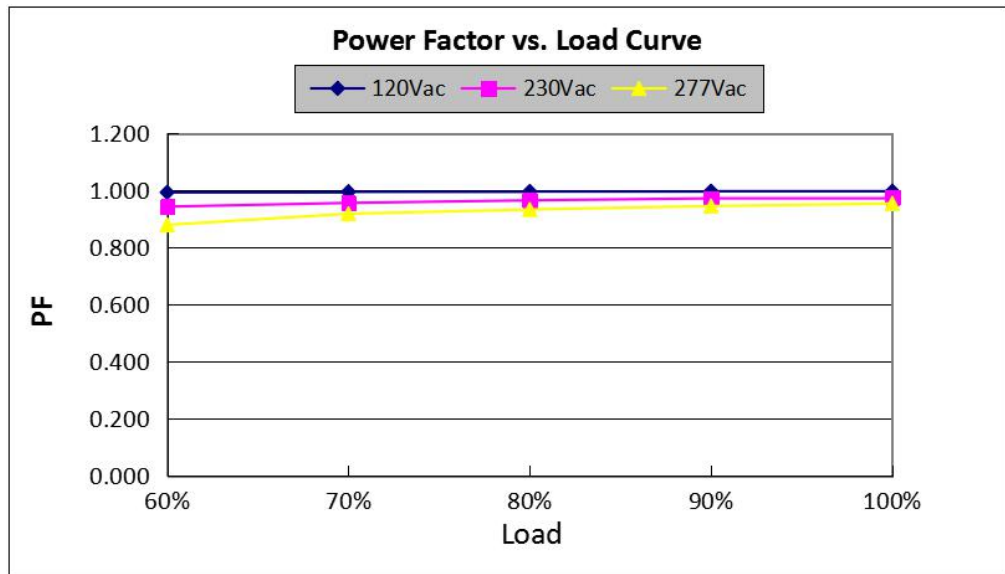
108Vac	120V	220V	240V	277V	305V
100%	100%	100%	100%	100%	100%



## Efficiency VS Load Curve

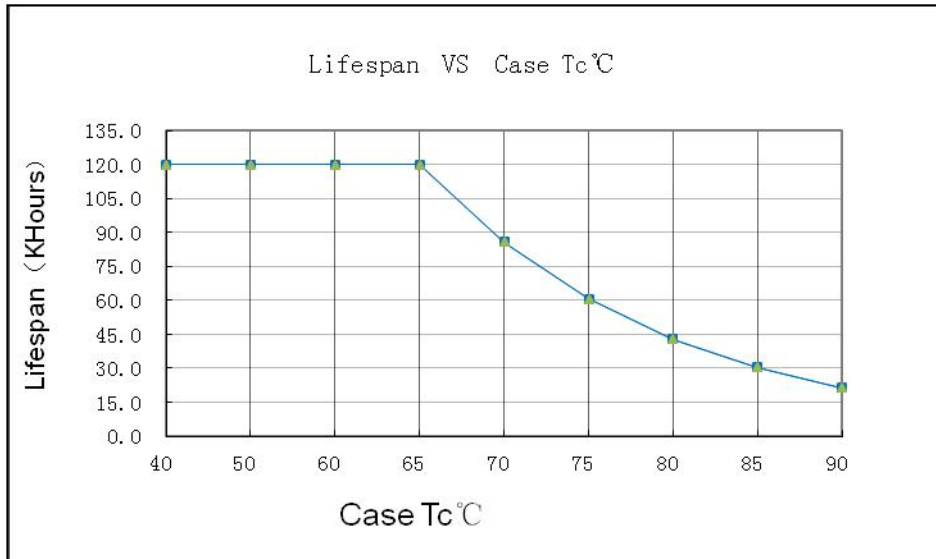


## Power Factor vs. Load Curve



## Product life reference diagram

Case Temperature	50°C	60°C	65°C	70°C	75°C	80°C	85°C	90°C
Lifespan	120	120	120	85.7	60.6	42.8	30.3	21.4



## Dimming function

0-10V Dimming/0-10V; 10-100% dimming scope 10-100%

Dimming Voltage (V)	0	1	2	3	4	5	6	7	8	9	10	OPEN
Percentage of rated current	10%	10%	20%	33%	46%	58%	71%	84%	97%	100%	100%	95%-105%