

## Classic Wall Pack Installation Guide

### Read These Instructions Completely and Carefully

**SAFETY:** This fixture must be wired in accordance with the national electrical code and applicable local codes and ordinances. Proper grounding is required to insure personal safety. Carefully observe the grounding procedure under installation section. All work should be done by a qualified electrician.

- > RISK OF ELECTRIC SHOCK - Disconnect power at fuse or circuit breaker before installing or servicing.
  - > RISK OF PERSONAL INJURY - Fixture may become damaged and/or unstable if not installed properly.
- Tighten all fixture components to their recommended torque values.

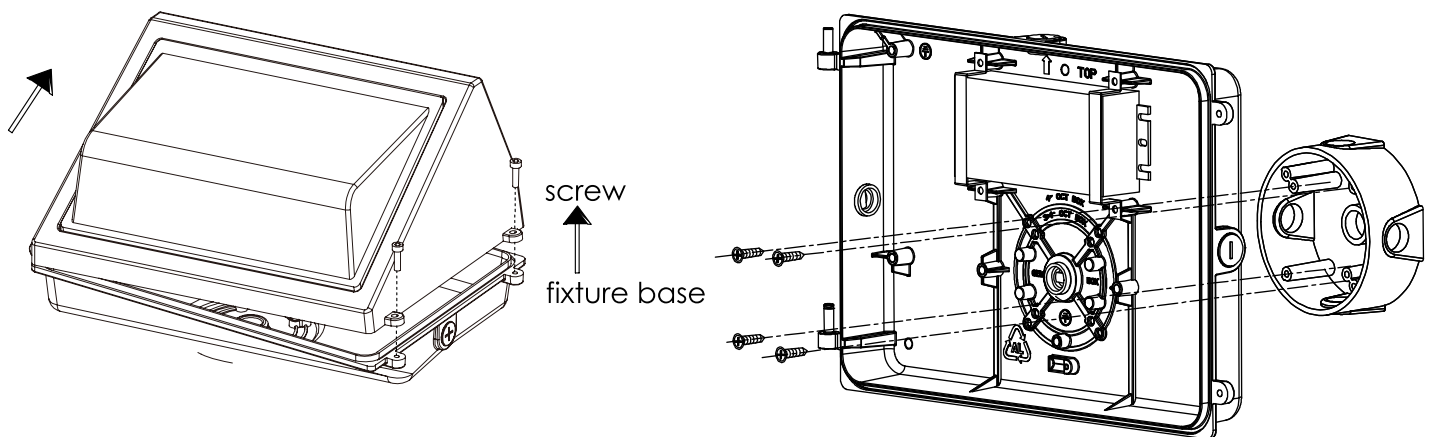
**WARNING:** Make certain power is **OFF** before starting installation or attempting any maintenance.

### INSTALLATION:

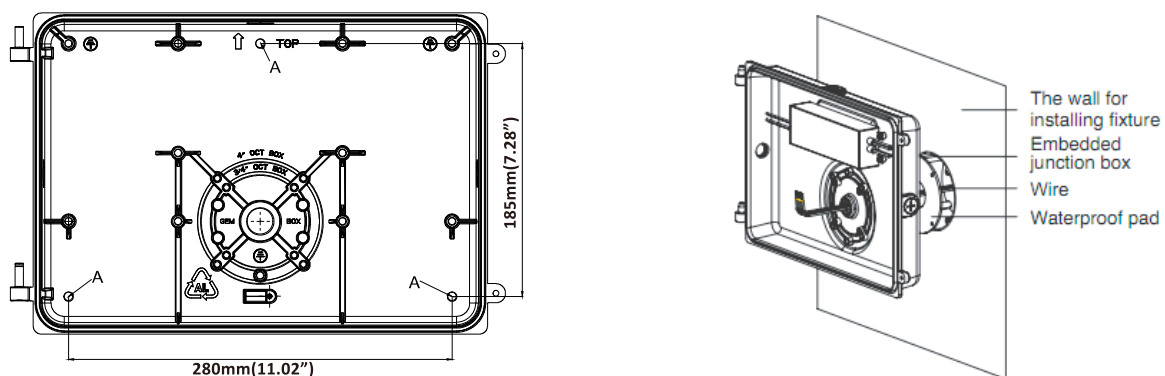
**Step 1:** Open the cover by unscrewing the screws that are located on the side of the wall pack.

**Step 2:** Fix the rear housing on the wall.

Method 1: Remove the pre-cast locators at the back of the rear housing, and fix the fixture with 4 screws (not provided) to the standard junction box on the wall.



Method 2: Drill holes at the required three mounting points, mount the fixture by securing mounting screws (not provided) through the drilled holes, and seal the screw heads with appropriate waterproofing material.

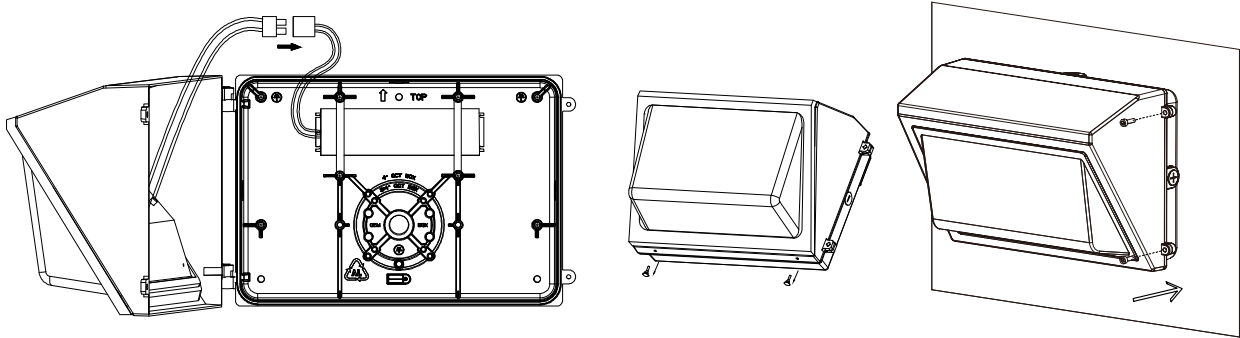


**Step 3:** Connect the output wires of driver with the wires of LED board.

**Step 4:** Remove the 2 locking plugs from the housing. Close the diffuser door and lock it with the 2 diffuser door screws.

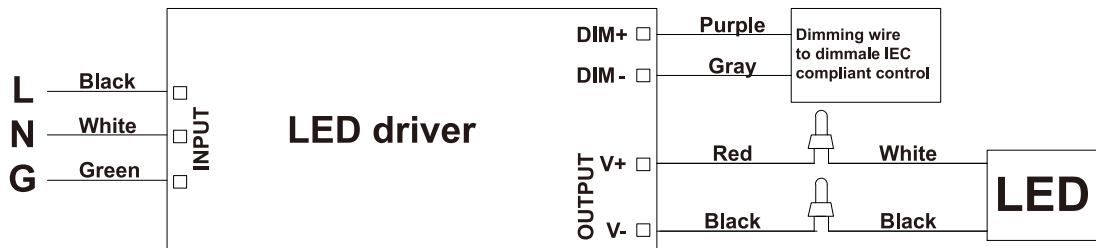
**Step 5:** Make sure all wiring access holes are sealed properly for waterproofing purposes.

**Step 6:** Turn on the electricity to verify your successful installation.



**Wiring Diagram:** 0-10V dimming for 35W/50W/75W/100W, 1-10V dimming for 120W.

### Without Photocell



### With Photocell

