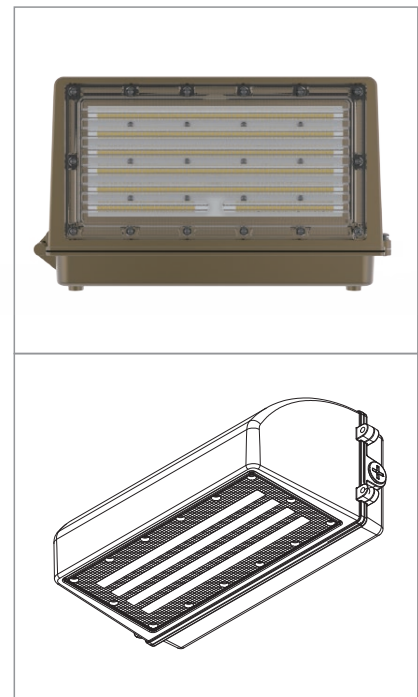


## FULL CUT-OFF LED WALL PACK



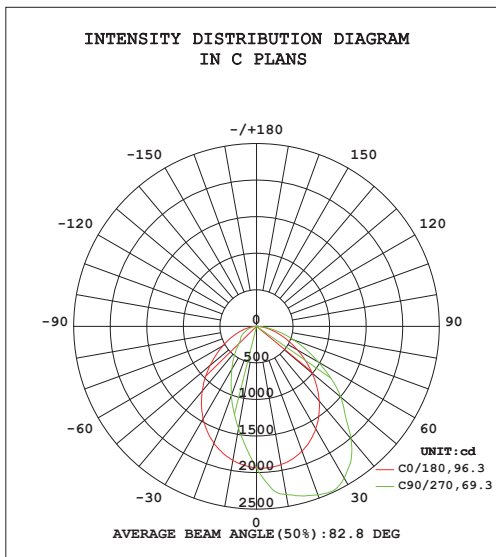
### Product Features

- High brightness, 130 LPW.
- Up to 82% energy saving compared to traditional fixtures.
- Heavy-duty die cast aluminum housing.
- Architectural bronze finish, anti-corrosion spray.
- Full cut-off distribution, dark sky compliant.
- Durable UV-stabilized PC lens resists corrosion and environmental conditions.
- IP65 rated, waterproofing material is used throughout the fixture.
- 0-10V dimming.
- Easy and fast installation.
- 3 Years Warranty.

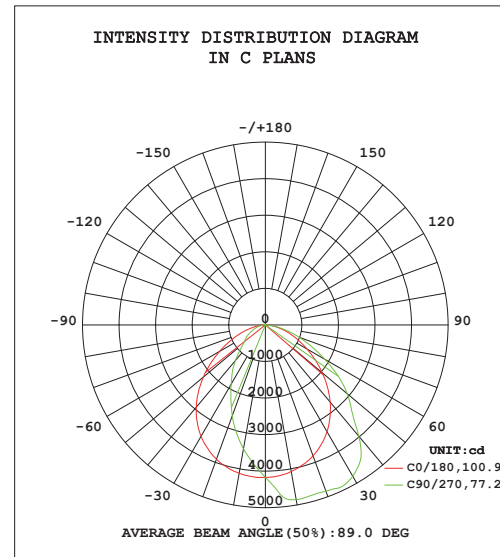
## Performance Summary

Model#	Power	Lumens	LED Chip	CRI	CCT	Input Voltage	Operation Temp.	Life Hrs
PLTBC1532/PLT-11720	35W	4550lm	Lumiled 3030	>70	5000K	120-277V	-40~+122°F -40~+50°C	>50,000hrs
PLTBC1432/PLT-11721	35W	4550lm	Lumiled 3030	>70	4000K	120-277V	-40~+122°F -40~+50°C	>50,000hrs
PLTBC2532/PLT-11722	50W	6500lm	Lumiled 3030	>70	5000K	120-277V	-40~+122°F -40~+50°C	>50,000hrs
PLTBC2432/PLT-11723	50W	6500lm	Lumiled 3030	>70	4000K	120-277V	-40~+122°F -40~+50°C	>50,000hrs
PLTBC3532/PLT-11724	75W	9750lm	Lumiled 3030	>70	5000K	120-277V	-40~+122°F -40~+50°C	>50,000hrs
PLTBC3432/PLT-11725	75W	9750lm	Lumiled 3030	>70	4000K	120-277V	-40~+122°F -40~+50°C	>50,000hrs

## Photometrics

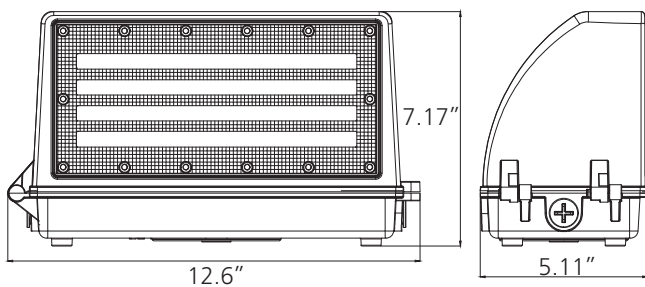


35W



75W

## Dimensions



35W/50W/75W