

LED SLIM WALL PACK BROCHURE



Product Features

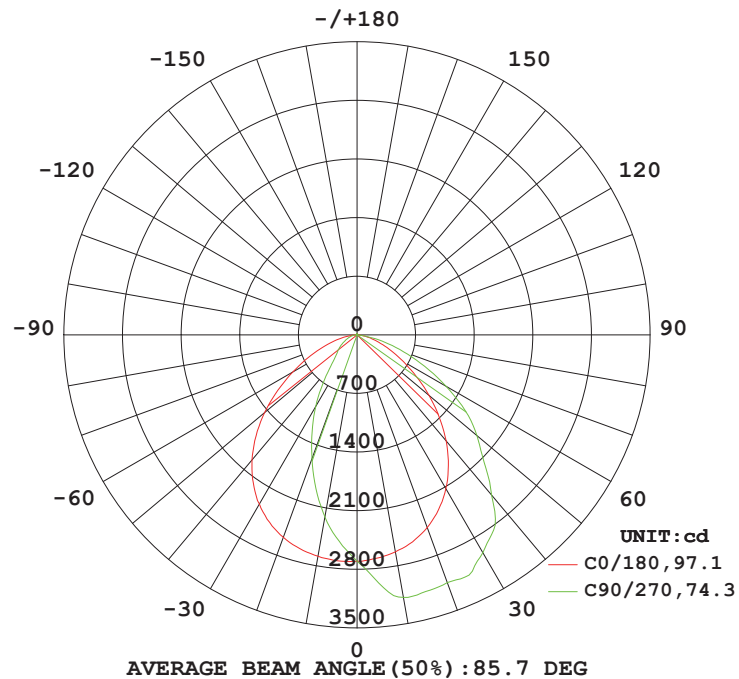
- *Corrosion-resistant coating, black or bronze color options.*
- *Integrated aluminum heat sink,superb heat dissipation.*
- *Easy Installation and maintenance.*
- *Stylish and slim profile design.*
- *Polycarbonate lens, anti-UV.*
- *130lm/w fixture efficacy.*
- *Lumiled 3030 LED chip.*
- *0-90deg adjustable.*
- *5 Years Warranty.*
- *IP65 rated.*

Performance Summary

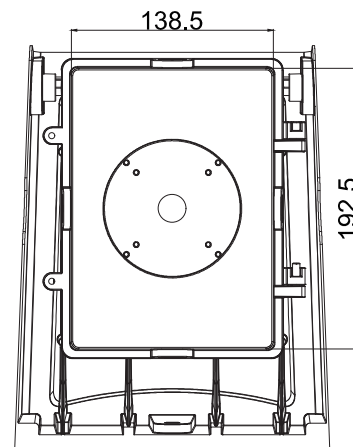
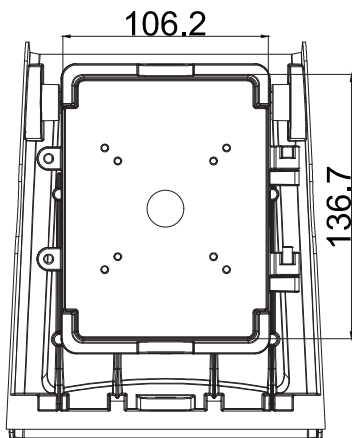
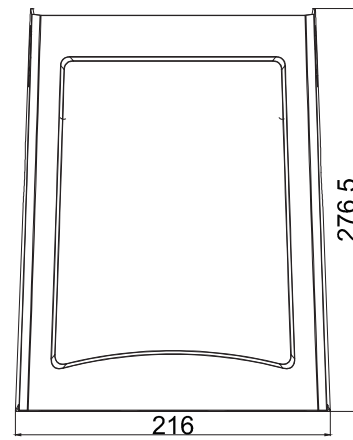
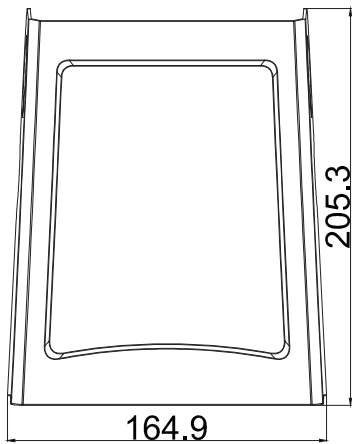
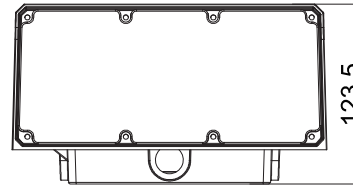
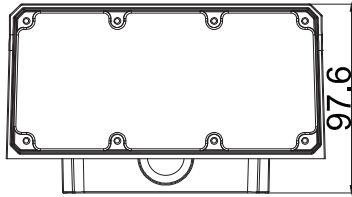
Model#	Power	Lumens	LED Chip	CRI	CCT	Input Voltage	Operation Temp.	Life Hrs
PLT-11636	12W	1560lm	Lumiled3030	>70	5000K	120-277V	-40~+122°F -40~+50°C	>50,000hrs
PLT-11568/ PLTB35	35W	4550lm	Lumiled3030	>70	5000K	120-277V	-40~+122°F -40~+50°C	>50,000hrs
PLT-11569/ PLTB45	50W	6500lm	Lumiled3030	>70	5000K	120-277V	-40~+122°F -40~+50°C	>50,000hrs

Photometrics

INTENSITY DISTRIBUTION DIAGRAM
IN C PLANS



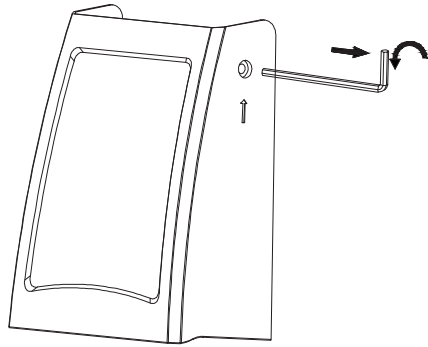
Dimensions



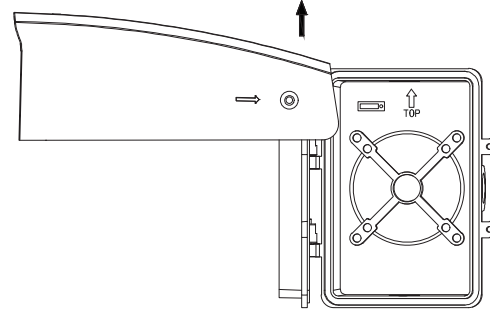
12W/35W

50W

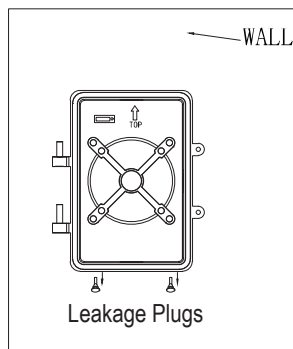
Installation Instructions



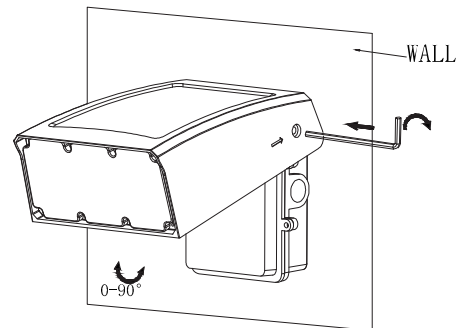
- ① Loosen the M6 Screw on the Fixture Housing.



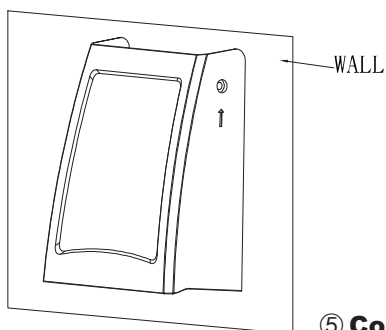
- ② Remove the Housing to install the Wall Mounting box.
a. Knock out appropriate holes when mounting to Junction Box(not provided)
b. Use the Level Bubble in the Wall Mounting Box, level the Fixture and secure to a sturdy wall. (shown as Fig3)



- ③ Place the Housing back to the Wall Mounting Box, and tighten the 2x M5 Flat Head Philips Screw. Remove the Leakage Plugs & check Door Gasket.



- ④ Adjust the Housing from 0-90° for desired beam angle via adjusting the M6 Screw.



- ⑤ Connect the Fixture to main power.