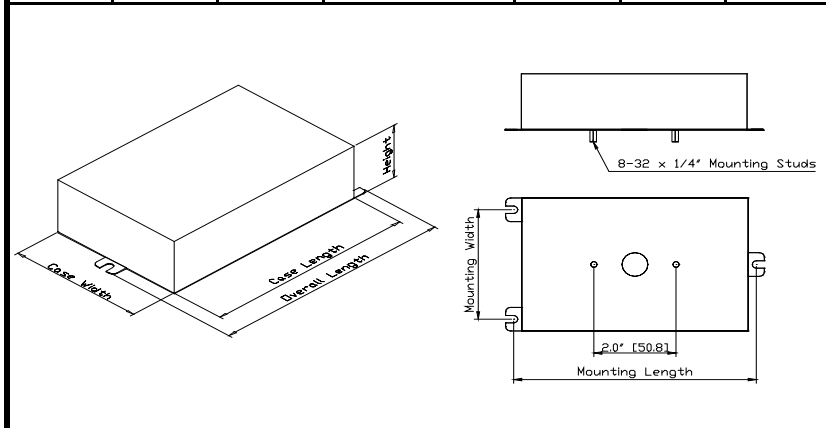


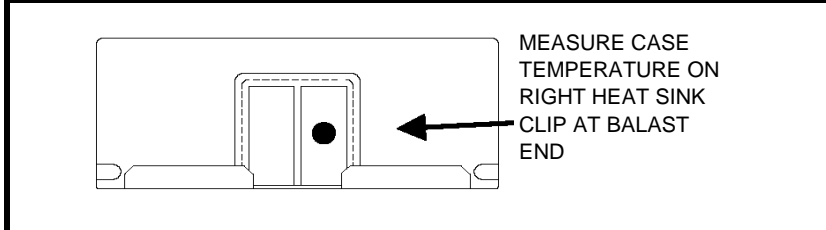
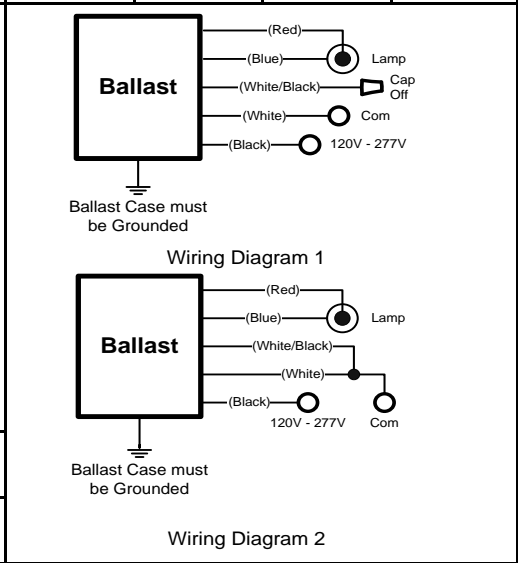
	<b>e-Vision® Electronic Ballast for Metal Halide Lamps</b>	Catalog Number: IMH-50-A For 39W or 50W Metal Halide Lamps ANSI M110 or M130 120-277V 50/60Hz Electronic Status: RELEASED
---	--	---

**DIMENSIONS AND DATA**

Lamp		Input Volts	Catalog Number*	Line Current (Amps)	Input Power (Watts)	Min Power Factor	Wiring Diag	Fig.	Weight (lb)	Max. Distance to Lamp (ft)
Number	Watts									
39 Watt Lamp, ANSI Code M130 Minimum Starting Temp -30°C/-20°F										
1	39	120	IMH-50-A-XXX	0.38	45	1	1	A/B	1.4	5
		277		0.16	44					
50 Watt Lamp, ANSI Code M110 Minimum Starting Temp -30°C/-20°F										
1	50	120	IMH-50-A-XXX	1.7	56	1	2	A/B	1.4	5
		277		0.7	55					



Case Figure	Overall Length	Case Length	Case Width	Height	Mounting Length	Mounting Width
A/B	140mm [5.5"]	120mm [4.7"]	92mm [3.6"]	38mm [1.5"]	132mm [5.2"]	73mm [2.9"]



- INSTALLATION & APPLICATION NOTES:**
- Maximum allowable case temperature is 85°C. See figure above for measurement location
  - Ignition pulse is 4 kV max
  - All leads are 12 inches long
  - Ballast output will shutdown after 20 minutes if lamp fails to ignite
  - Power must be cycled off – then on, after replacing lamp

<b>*Ordering Information</b>	
Order Suffix	Description
-LF	Ballast with side exit leads and mounting feet
-BLS	Ballast with bottom exit leads and mounting studs

Data is based on tests performed by Philips Advance in a controlled environment and is representative of relative performance. Actual performance can vary depending on operating conditions. Specifications are subject to change without notice. All specifications are nominal unless otherwise noted.