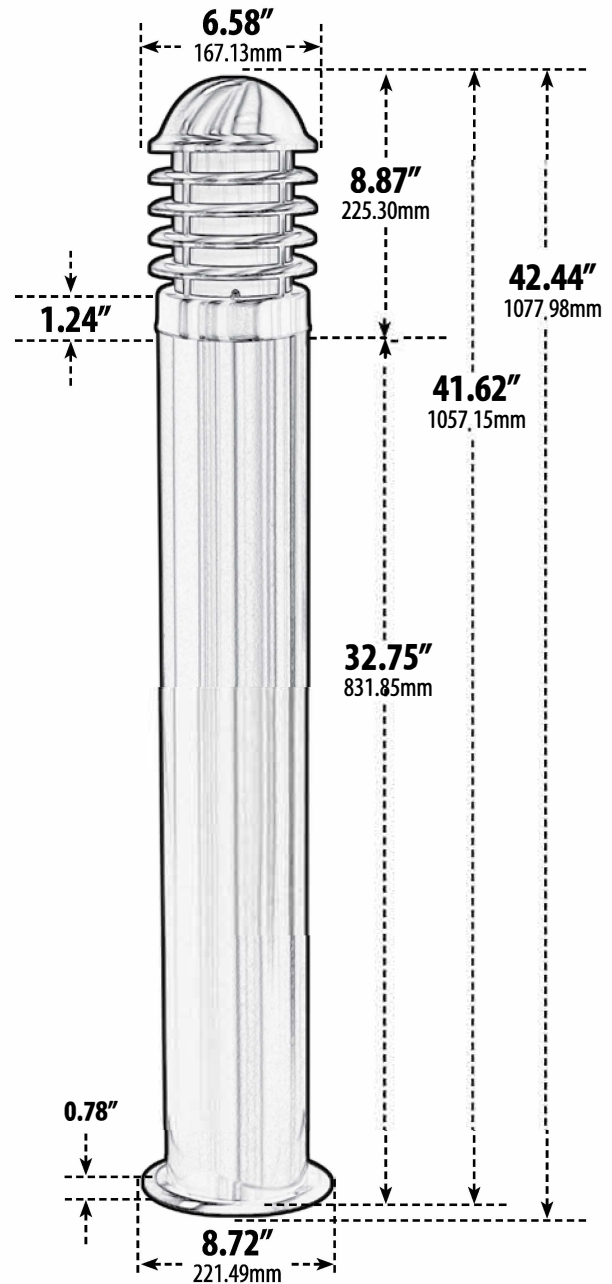


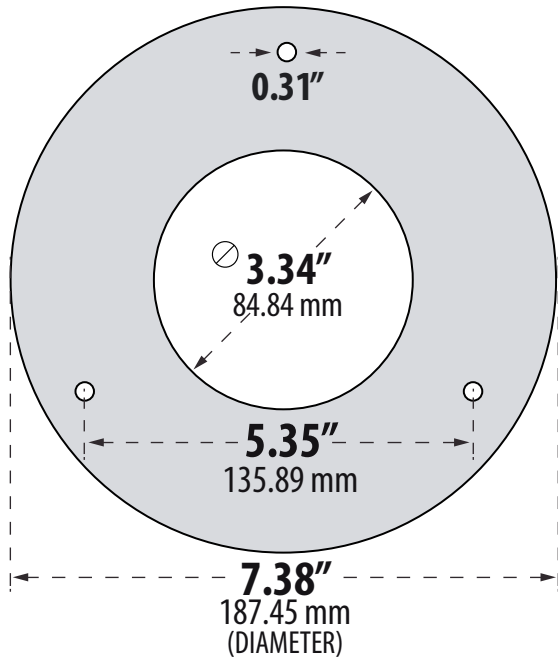
# D700-SS316

PATH, WALKWAY, DRIVEWAY and ENTRANCE AREA BOLLARD

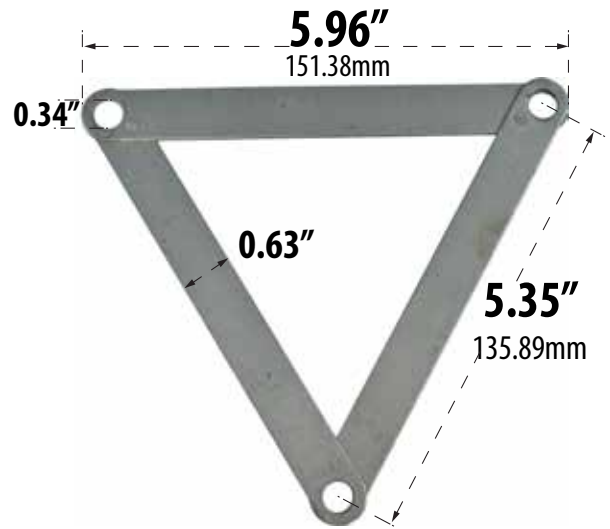


- ▶ **Material:** Stainless Steel 316
- ▶ **Lens:** White, Heat Resistant, Polycarbonate Lens
- ▶ **Available Finish:** Stainless Steel
- ▶ **ETL Approved**

**DABMAR**  
L I G H T I N G  
DABMAR LIGHTING INCORPORATED



**BASE PATTERN**



**TEMPLATE PATTERN**

**BOLT**



MODEL NUMBER	LAMP TYPE	ILLUMINANT TYPE	WATTS (W)	VOLTS (V)	LAMP(S) INCLUDED?
D700-SS316	A-Type	Incandescent	60	120	NO
D700-LED112-SS316	Tubular G24 2P	112 LEDs	20	120-277	YES
D713-SS316	S13-GU24	Fluorescent	13	120	YES
D726-SS316	S26-GU24	Fluorescent	26	120	YES
D735-SS316	HID	HPS	35	120	YES
D750-SS316	HID	HPS	50	120	YES
D750-SS316-MT	HID	HPS	50	MT	YES
D770-SS316	HID	MH	35	120	YES
D780-SS316	HID	MH	50	120	YES
D780-SS316-MT	HID	MH	50	MT	YES

Replacement Polycarbonate Lens: P-LENS-D700 (sold separately)

**LED included will be 50K unless otherwise specified to 30K**

Overall Dimensions:  
8.72"W x 42.44"H x 8.72"D

Maximum Height: 42.44"  
Width: 8.72"  
Maximum Depth: 8.72"

Weight: 9.8 lbs  
Box Dimensions: 11.13"W x 45.0"H x 11.13"D