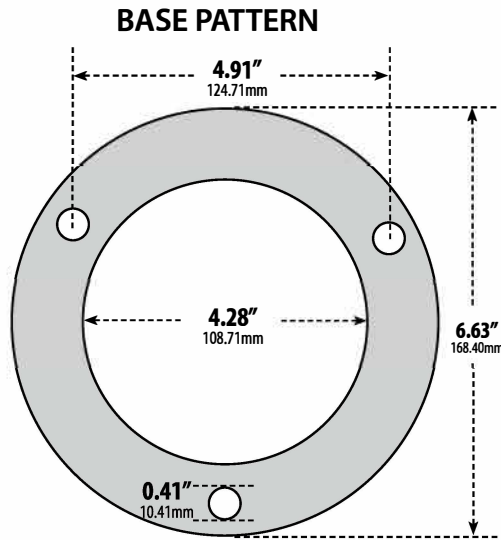
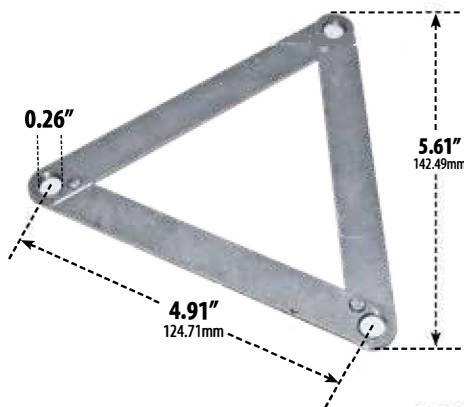


# D3390

## PATH, WALKWAY, DRIVEWAY and ENTRANCE AREA BOLLARD



**TEMPLATE PATTERN**



- ▶ **Material:** Cast Aluminum
- ▶ **Lens:** Clear, Heat Resistant, Polycarbonate Lens
- ▶ **Available Finish:** Black, Bronze, Verde Green
- ▶ **ETL Approved**

Overall Dimensions:  
6.69"W x 24.00"H x 6.69"D

Weight: 6.8 lbs  
Box Dimensions: 7.00"W x 24.75"H x 7.00"D

MODEL NUMBER	LAMP TYPE	ILLUMINANT TYPE	WATTS (W)	VOLTS (V)	LAMP(S) INCLUDED?
D3390	A-Type	Incandescent	60	120	NO
D3390-LED112	Tubular G24-2P	112 LEDs	20	120-277	YES
D3391	S13-GU24	Fluorescent	13	120	YES
D3392	S26-GU24	Fluorescent	26	120	YES
D3393	HID	HPS	35	120	YES
D3394	HID	HPS	50	120	YES
D3394-MT	HID	HPS	50	MT	YES
D3395	HID	HPS	70	120	YES
D3395-MT	HID	HPS	70	MT	YES
D3396	HID	MH	35	120	YES
D3397	HID	MH	50	120	YES
D3397-MT	HID	MH	50	MT	YES
D3398	HID	MH	70	120	YES
D3398-MT	HID	MH	70	MT	YES

*LED included will be 50K unless otherwise specified to 30K*