

VAPOR TIGHT

INSTALL INSTRUCTIONS

SAFETY INSTRUCTIONS

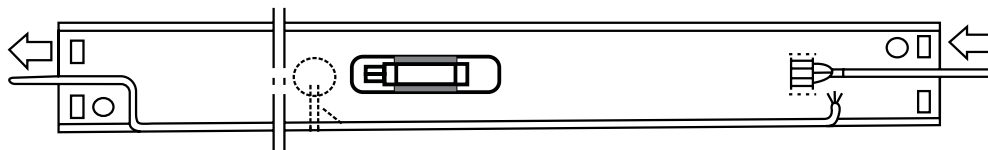
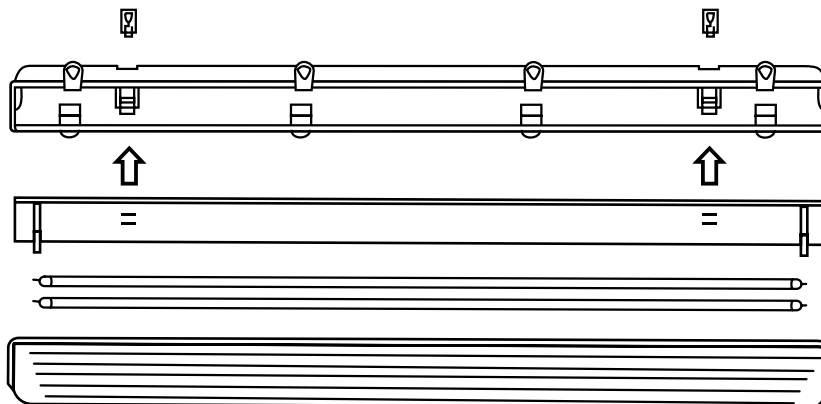
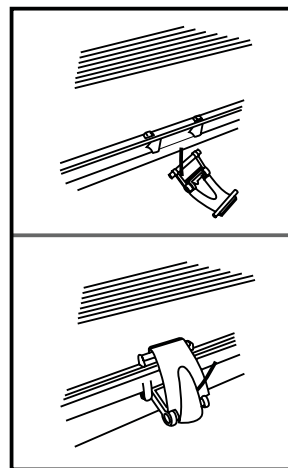
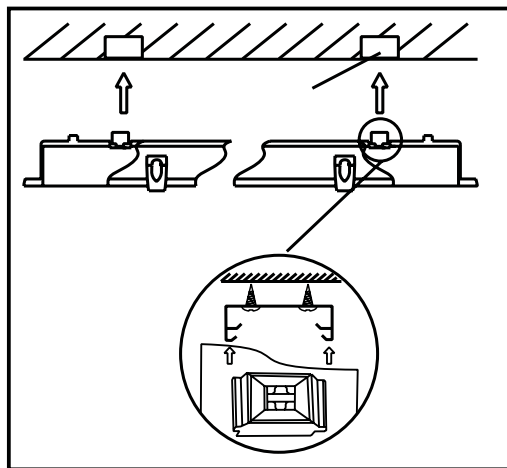
PLEASE FIND A QUALIFIED ELECTRICIAN FOR INSTALLATION.

Please read the instruction before you install and use the luminaire.

READ AND FOLLOW ALL SAFETY INSTRUCTIONS

- Disconnect the power supply while replacing or maintaining the product to prevent electrical shock
- Reconstruction or the use of accessory equipment is not recommended. May cause unsafe conditions and will void the warranty.
- Servicing of this equipment should be performed by a qualified electrician.
- Do not mount near electric or gas heaters.
- Do not use this equipment for other than its intended purpose
- This fixture is suitable for wet locations, IP65.
- SAVE THESE INSTRUCTIONS

INSTALLATION

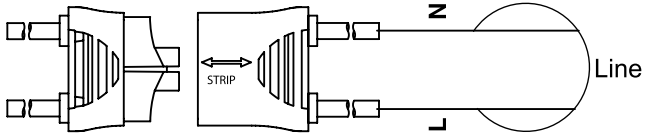


VAPOR TIGHT

INSTALL INSTRUCTIONS

INSTALLATION

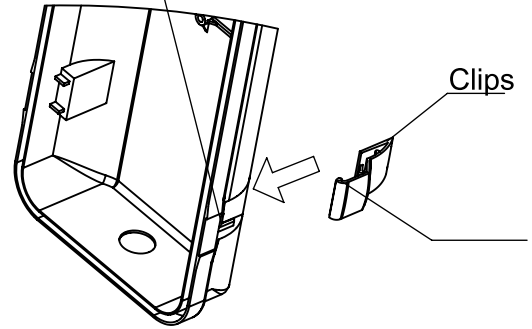
3. Power connection



4. Clip Installation

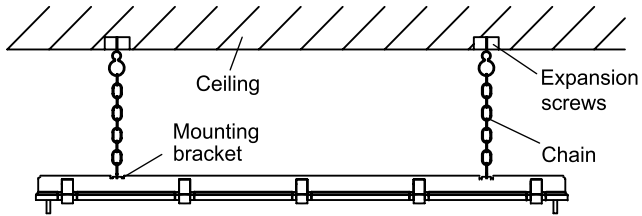
Clips' matching part of the housing

Make sure the shape of the clip and housing match and push into place.



MOUNTING

3. Chain Mounting



4. Ceiling Mounting

