

LUNERA MH LED VERTICAL FANLESS E26

50W-34W LED Replacement for Metal Halide Lamps (E26 Medium Base)

Type A - Ballast Driven

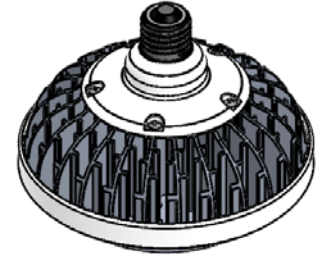
Description

The LUNERA MH LED VERTICAL FANLESS E26 is a plug and play (Type A, ballast driven) LED replacement for a Metal Halide (MH) lamp with a medium (E26) base. It is intended for installation in suspended pendant, surface mount, or recessed HID fixtures. This fanless LED MH lamp replaces 175W/100W/70W MH lamps and delivers up to 6,000 lumens of beautiful LED light. It is ideal for installations with low ambient noise level or low profile fixtures such as those found in parking garages.

Lunera's BallastLED technology makes the lamp truly plug and play by allowing it to operate directly off of the existing ballasts. Simply change the lamp with no additional fixture or socket re-wiring required.

This lamp incorporates Thermal IQ, a proprietary Lunera technology which uses airflow convection and thermal dimming to keep the lamp cool, enabling it to operate reliably up to 150°F ambient.

It is rated at 50,000 hours. This lamp does not contain mercury, allowing for non-hazardous waste disposal.



Frosted Lens

50W/40W/34W
6" Diameter

Features

- Directly replaces 175W/100W/70W MH lamps with a 50W/40W/34W LED
- Type A (ballast driven) Installation; supports existing MH CWA ballast
- Delivers up to 6,000 (@50W) / 5,100 (@40W) / 4,500 (@34W) lumens of usable light with >80 CRI
- CCT Options: 3500K, 4000K and 5000K
- Supports E26 medium base HID sockets
- Thermal IQ to support ambient temperatures up to 150°F without a cooling fan
- 50,000 hours life to L70
- Intended for installation in surface mount, recessed can, or suspended HID fixtures



MH Lamp Wattage Replaced	CWA Ballast Type	Lunera Lamp	
		Lamp Wattage	Max Lumens
175W	M57/M137	50W	6,000
100W	M90/M91/M140	40W	5,100
70W	M85/M98/M139	34W	4,500

Example: SN-V-E26-175W/100W/70W-5000

Ordering Information

Series	Version	Socket Type	Lamp Lumens (Wattage Replaced)	CCT
SN Lunera Ballast Driven MH LED	V Vertical	E26 Fits in medium (E26) base HID socket	175W/100W/70W: 175W: Replaced with 50W / up to 6,000lm 100W: Replaced with 40W / up to 5,100lm 70W: Replaced with 34W / up to 4,500lm	3500: 80CRI / 3500K 4000: 80CRI / 4000K 5000: 80CRI / 5000K

Product Specifications - Vertical Mount, Fanless Cooling

	50W / 6,000 lumens	40W / 5,100 lumens	34W / 4,500 lumens
Illumination			
Color Temperatures	3500K, 4000K, 5000K	3500K, 4000K, 5000K	3500K, 4000K, 5000K
Lumens	Up to 6,000lm	Up to 5,100lm	Up to 4,500lm
Color Consistency	Lunera TruColor LED Selection	Lunera TruColor LED Selection	Lunera TruColor LED Selection
Lumen Maintenance (L70)	50,000+ hours life	50,000+ hours life	50,000+ hours life
Electrical System			
Input Voltage*	MH CWA ballast	MH CWA ballast	MH CWA ballast
Lamp Power	50W	40W	34W
System Power**	74W	65W	59W
Ballast Types Supported	M57, M137	M90, M91, M140	M85, M98, M139
Lamp Wattage Replaced	175W	100W	70W
Dimming*	No	No	No
Physical			
Dimensions (H x W)	5.50" x 6.125"	5.50" x 6.125"	5.50" x 6.125"
Weight	1.5 lbs	1.5 lbs	1.5 lbs
Housing and Finish	Painted	Painted	Painted
Heat Sink Size	6"	6"	6"
Lens	Frosted	Frosted	Frosted
Environment			
Ambient Temperature***	-40°F to 150°F	-40°F to 150°F	-40°F to 150°F
Humidity Rating	Damp OK, no direct water spray	Damp OK, no direct water spray	Damp OK, no direct water spray
Fixture Type	Open or enclosed	Open or enclosed	Open or enclosed
Installation			
Socket Type	Medium base (E26) MH socket	Medium base (E26) MH socket	Medium base (E26) MH socket
Certifications & Qualifications			
UL (US and Canada)	Recognized	Recognized	Recognized
RoHS Compliant	Contains no lead or mercury	Contains no lead or mercury	Contains no lead or mercury
LM79, LM80, IES Files	Available. Contact Lunera.	Available. Contact Lunera.	Available. Contact Lunera.

* Do NOT install this lamp into line voltage or with an LED driver.

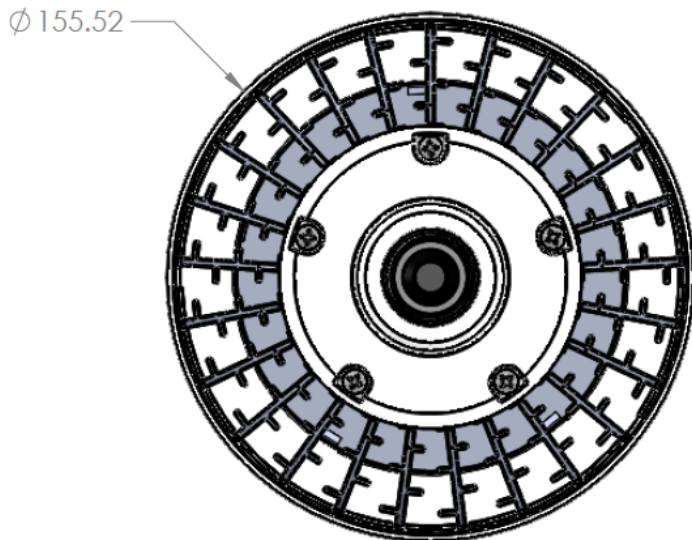
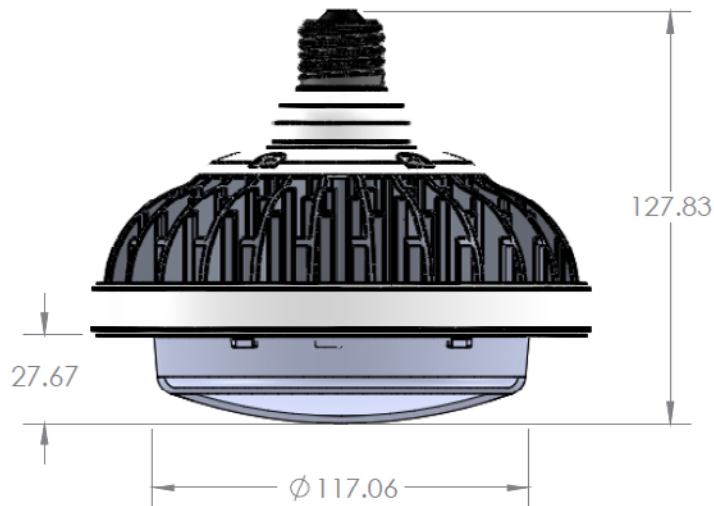
This lamp is not intended for dimming installations.

** System Power equals lamp power + ballast power.

*** Thermal IQ is a proprietary Lunera technology which enables the LUNERA MH LED VERTICAL FANLESS to operate reliably up to 150°F ambient by dimming itself based upon thermal characteristics of the fixture in which it has been installed.

Product Dimensions

Measurements are rounded up. Dimensions are shown in millimeters. Please contact your Lunera representative for exact dimensions.



Application Notes

- This product is NOT rated for direct installation into line voltage.
- This lamp is compatible with Metal Halide 175W, 100W and 70W CWA ballasts.
- Do NOT install this lamp with High Pressure Sodium ballasts, HX-HPF ballasts, or LED drivers.
- This lamp is suitable for installation into open and ventilated fixtures.

CAUTION

Turn power OFF to the fixture prior to installation.

CAUTION - IF THE LAMP OR LUMINAIRE EXHIBITS UNDESIRABLE OPERATION (BUZZING, FLICKERING, ETC.), IMMEDIATELY TURN OFF POWER, REMOVE LAMP FROM LUMINAIRE AND CONTACT MANUFACTURER.