

Linear Fluorescent Lampholders for Today's Energy-Efficient Lighting Fixtures



T-8 and T-5 Linear Fluorescent Lampholders

Leviton's new line of bi-pin fluorescent lampholders offer manufacturers a wealth of opportunities to incorporate energy-efficient lamps into their fixtures. With industry-leading wiring and mounting options, our miniature and medium bi-pin lampholders provide fast, easy assembly for a wide variety of streamlined, energy-efficient designs. From decorative and architectural lighting to ceiling lighting in virtually any commercial environment, Leviton's new lampholders "cover all the bases." We've been meeting the needs of OEMs for 100 years, always leading the industry with innovative products built to the highest quality and performance standards.

Medium Bi-Pin Lampholders for T-8 Lamps with G13 Base



New Selection Offers Total Design Flexibility

- Tall, Medium and Short Profile
- Bottom Wiring
- Slide-On or Snap-In Mounting

Applications:

- Ceiling lighting in a wide range of commercial environments including offices, schools, hotels and libraries
- Troffers and shop fixtures

Features and Benefits:

- Available in tall profile (30mm lamp center), medium profile (23mm lamp center) and new short profile (16mm lamp center)
- Bottom-load wiring
- Four-position, positive-stop lamp-lock socket for easy relamping in service
- Available with internal shunt connection for instant start ballasts or non-shunted versions
- Chemical-resistant white thermoplastic body
- Slide-On models fit thin 22 gauge panels for streamlined fixture designs
- Knife-edge contacts on Tall and Medium Slide-On models
- Snap-In models available with optional locator pin for added stability



Tall Snap-In 13660-SWP

Medium Snap-In 13661-SWP

Short Snap-In 13662-SWP

Rating:

660W-600V

Agency Standards:

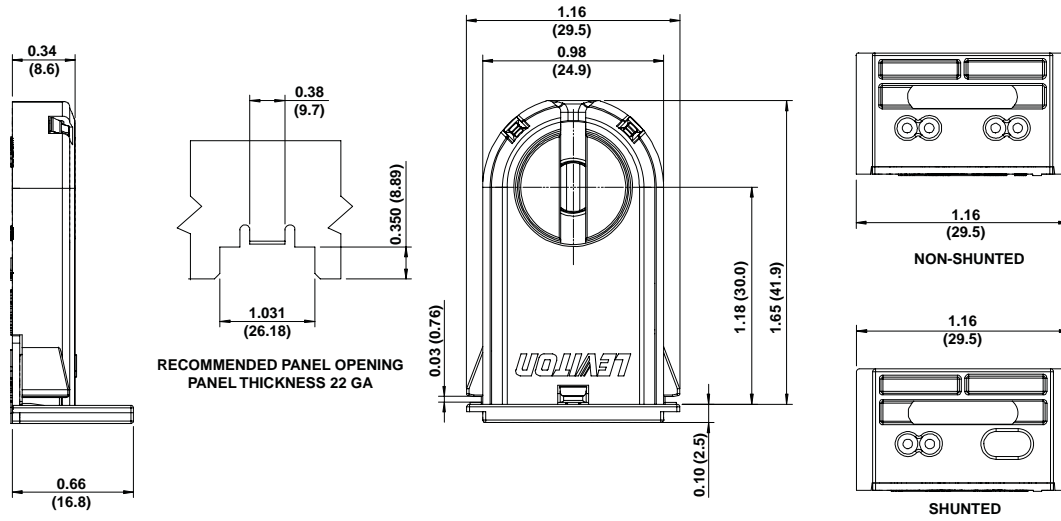
UL Listed  us (File #E-5833)
 NOM Certified (File #057)
 VDE Certified to IEC

ORDERING INFORMATION:

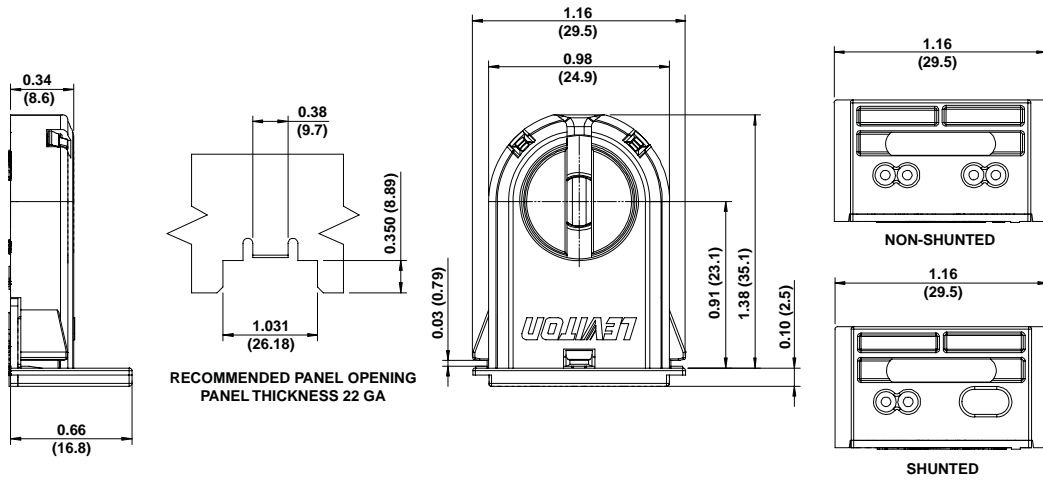
Cat. No.	Description
13660-SL	Tall Profile Slide-On, 30mm lamp center height
23660-SL	Same as above, except with internal shunt connection
13661-SL	Medium Profile Slide-On, 23mm lamp center height
23661-SL	Same as above, except with internal shunt connection
13662-SL	Short Profile Slide-On, 16mm lamp center height
23662-SL	Same as above, except with internal shunt connection
13660-SWP	Tall Profile Snap-In with locator pin, 30mm lamp center height
13660-SNP	Same as above, except without locator pin
23660-SWP	Tall Profile Snap-In with locator pin and internal shunt connection, 30mm lamp center height
23660-SNP	Same as above, except without locator pin
13661-SWP	Medium Profile Snap-In with locator pin, 23mm lamp center height
13661-SNP	Same as above, except without locator pin
23661-SWP	Medium Profile Snap-In with locator pin and internal shunt connection, 23mm lamp center height
23661-SNP	Same as above, except without locator pin
13662-SWP	Short Profile Snap-In with locator pin, 16mm lamp center height
13662-SNP	Same as above, except without locator pin
23662-SWP	Short Profile Snap-In with locator pin and internal shunt connection, 16mm lamp center height
23662-SNP	Same as above, except without locator pin

Slide-On Medium Bi-Pin Lampholders for T-8 Lamps with G13 Base

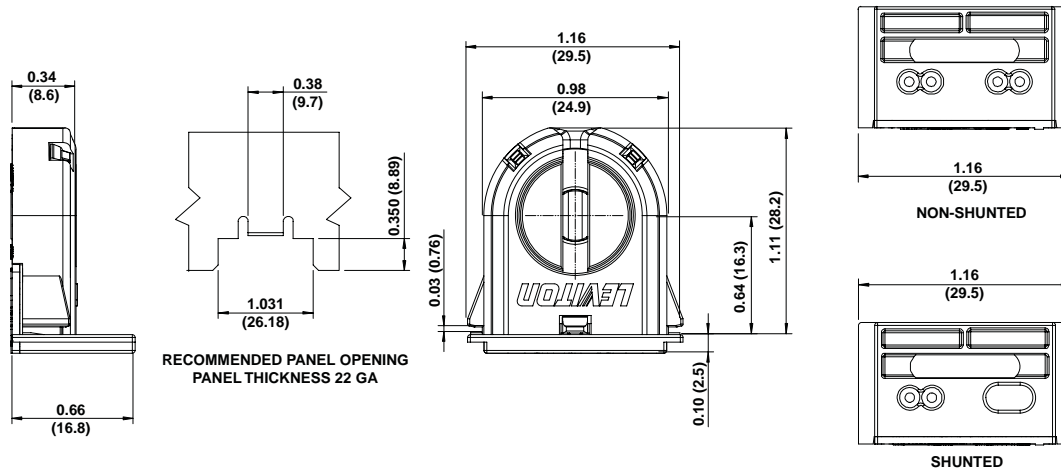
Cat. No. 13660-SL/23660-SL



Cat. No. 13661-SL/23661-SL

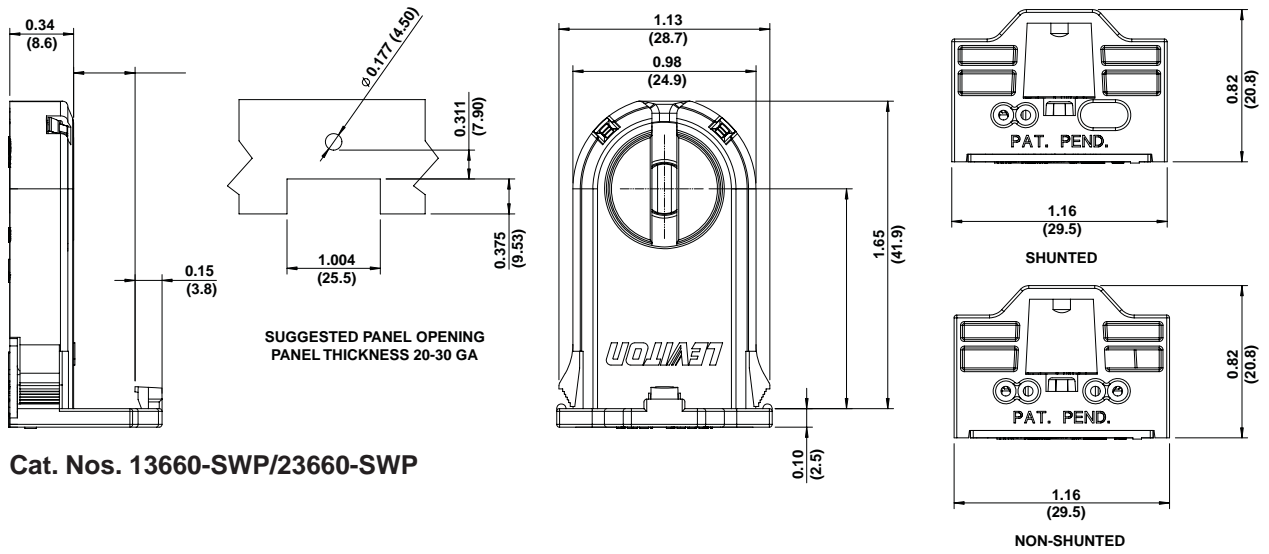


Cat. No. 13662-SL/23662-SL

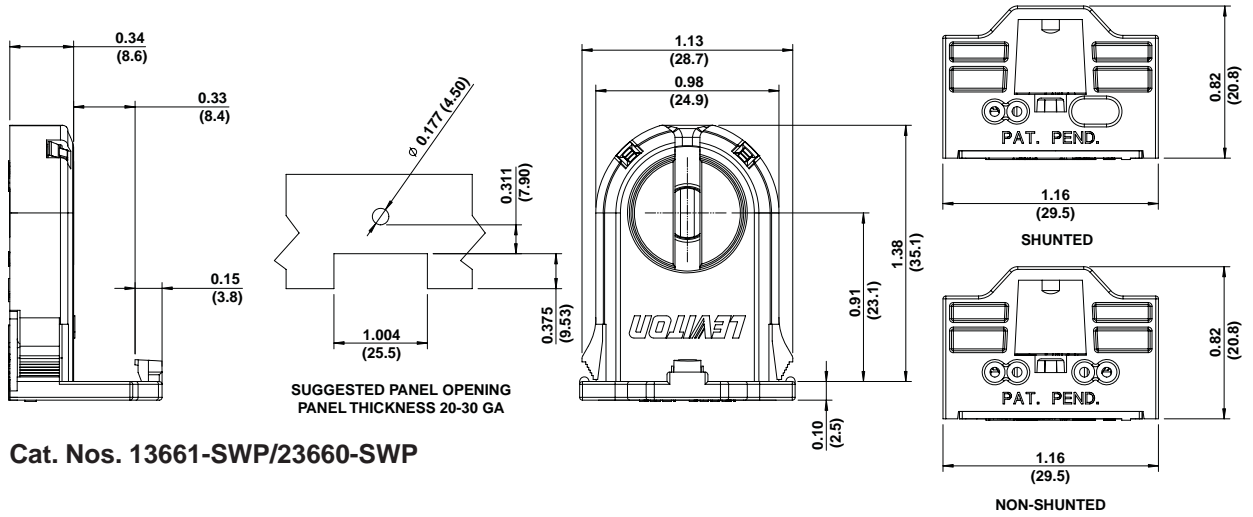


Snap-In Medium Bi-Pin Lampholders for T-8 Lamps with G13 Base

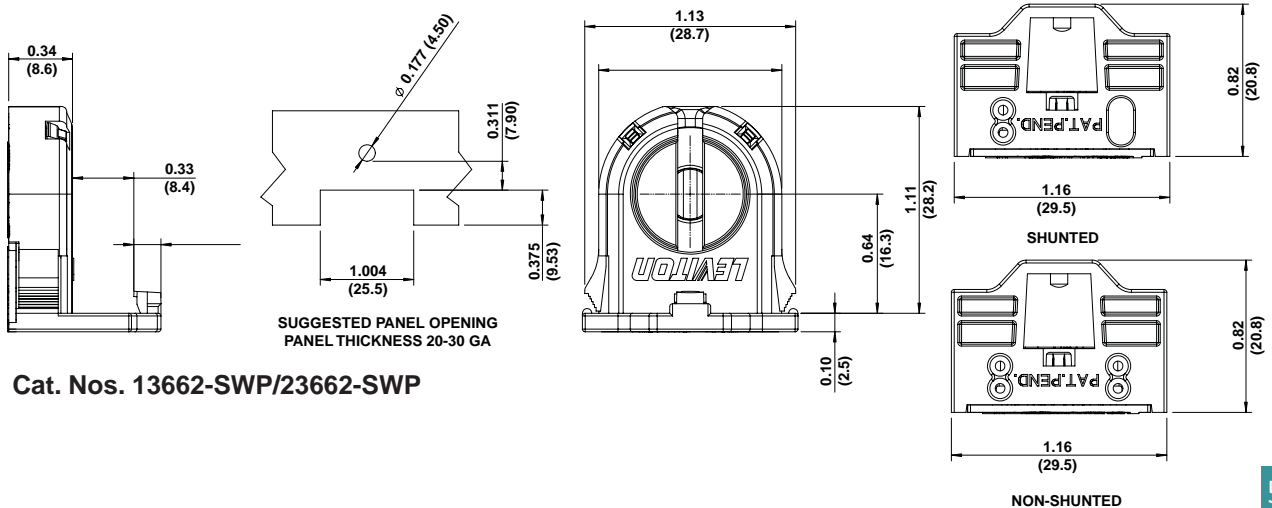
Cat. Nos. 13660-SWP/13660-SNP, 23660-SWP/23660-SNP



Cat. Nos. 13661-SWP/13661-SNP, 23661-SWP/23661-SNP



Cat. Nos. 13662-SWP/13662-SNP, 23662-SWP/23662-SNP



T-8 to T-5 Adapter

Adapts T-8 Linear Fluorescent Fixture to Accept Energy-Efficient T-5 Lamps with G5 Base



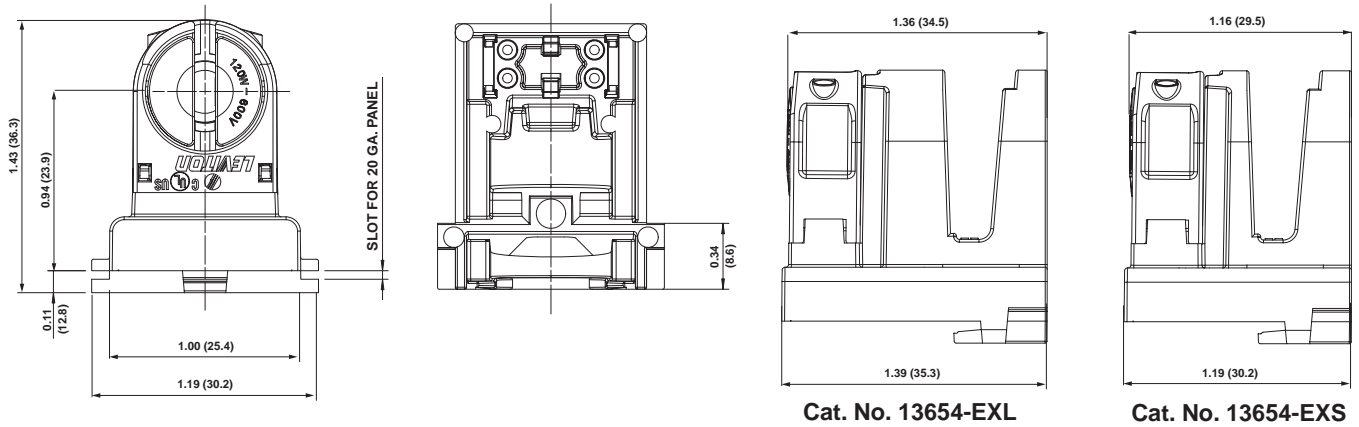
Applications:

- General, decorative and architectural lighting in offices, schools, hotels and libraries
- Pendant lighting in offices, schools and libraries
- Retail cove, soffit, showcase and display lighting

Features and Benefits:

- Simple, cost-effective solution enables OEM's to incorporate miniature bi-pin T-5 lamps into an existing T-8 fixture design
- No change in socket bar tooling required
- Fits existing slide-on T-8 lampholder cutouts and compensates for variations in T-5 lamp lengths
- 4-position, positive-stop lamp-lock socket makes it simple for end-users to relamp in service
- Long and short lengths available
- Cat. No. 23654 provides internal shunt connection for use with instant-start ballasts
- Chemical-resistant white thermoplastic body

Dimensional Drawings



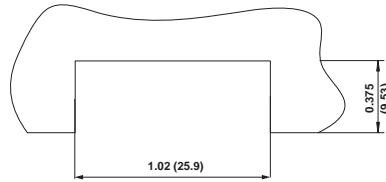
Rating:

120W-600V

Agency Standards:

- UL Listed (File #E-5833)
- CSA Certified (File #LR-1863)
- NOM Certified 057

Patent Pending



SUGGESTED PANEL OPENING

Note: Dimensions in parentheses are in millimeters. All other dimensions are in inches.

ADAPTER CONVERSION GUIDE				
Nominal T-8 Lamp Length (in.)	T-8 Lamp Length, Actual (in.)	T-5 Lamp Length, Actual (in.)	Length Difference (in.)	Leviton Dash Nos. Needed
60	59.555	57.606	1.949	2 Long (-EXL)
48	47.725	45.795	1.930	2 Long (-EXL)
36	35.725	33.984	1.741	1 Long (-EXL), 1 Short (-EXS)
24	23.725	22.173	1.552	2 Short (-EXS)

ORDERING INFORMATION:	
Cat. No.	Description
13654-EXL	Long T-8 to T-5 adapter converts existing T-8 fixtures to accept energy-efficient T-5 lamps. With positive-stop lamp-lock socket. See chart for conversion requirements.
23654-EXL	Same as 13654-EXL, except shunted for use with instant-start ballasts.
13654-EXS	Short T-8 to T-5 adapter converts existing T-8 fixtures to accept energy-efficient T-5 lamps. With positive-stop lamp-lock socket. See chart for conversion requirements.
23654-EXS	Same as 13654-EXS, except shunted for use with instant-start ballasts.

Miniature Bi-Pin Snap-In/Slide-In Lampholders for Energy-Efficient T-5 Lamps with G5 Base



Applications:

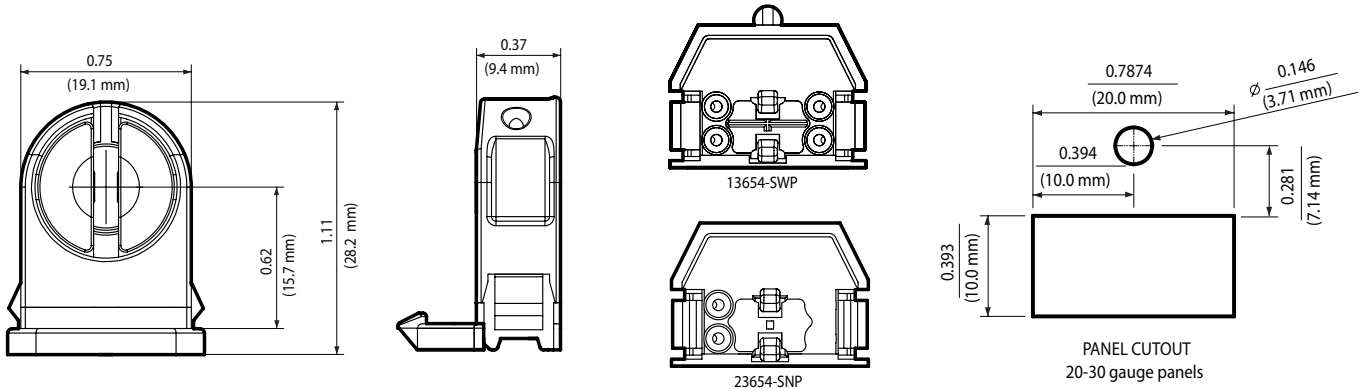
- Decorative and architectural lighting in offices, schools, hotels, libraries and high-end residential environments
- Pendant lighting in offices, schools and libraries
- Retail cove, soffit, showcase and display lighting

Features and Benefits:

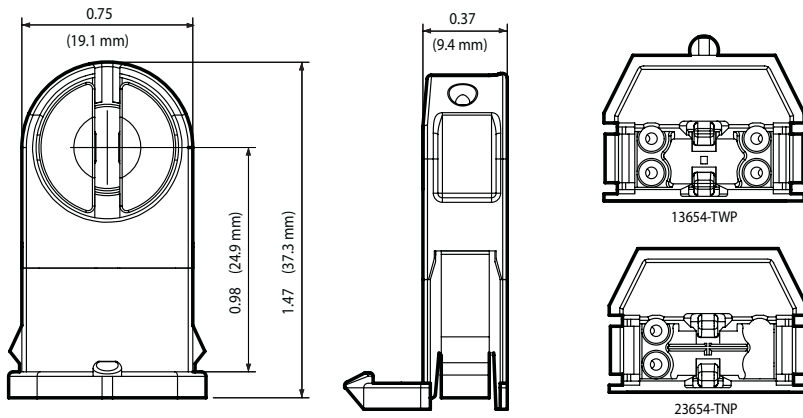
- Designed for energy-efficient, high-output T-5 lamps with a slender 5/8" (16mm) diameter
- Versatile snap-in or slide-on mounting reduces fixture assembly time
- Available in tall-profile (25mm) and short-profile (16mm) versions, both fit 20 to 23 gauge panels
- Bottom-load wiring
- Four-position, positive-stop lamp-lock socket for easy relamping in service
- Horizontal rear split pins, available with or without spring adjustment
- Available with internal shunt connection for instant start ballasts (Cat. No. 23654) or non-shunted (Cat. No. 13654)
- Chemical-resistant white thermoplastic body
- Test ports to verify proper wiring after assembly

Dimensional Drawings

Cat. Nos. 13654-SWP, 23654-SWP



Cat. Nos. 13654-TWP, 23654-TWP



Rating: 120W-600V Agency Standards

- UL Listed (File #E-5833)
- CSA Certified (File #LR-1863)
- NOM Certified (File #057)
- IEC Pending

ORDERING INFORMATION:

Cat. No.	Description
13654-TWP	Tall Profile Snap-In/Slide-On with locator pin
13654-TNP	Same as above, except without locator pin
23654-TWP	Tall Profile Snap-In/Slide-On with locator pin and internal shunt connection
23654-TNP	Same as above, except without locator pin
13654-SWP	Short Profile Snap-In/Slide-On with locator pin
13654-SNP	Same as above, except without locator pin
23654-SWP	Short Profile Snap-In/Slide-On with locator pin and internal shunt connection
23654-SNP	Same as above, except without locator pin

Miniature Bi-Pin Butt-On Lampholders for Energy-Efficient T-5 Lamps with G5 Base



Applications:

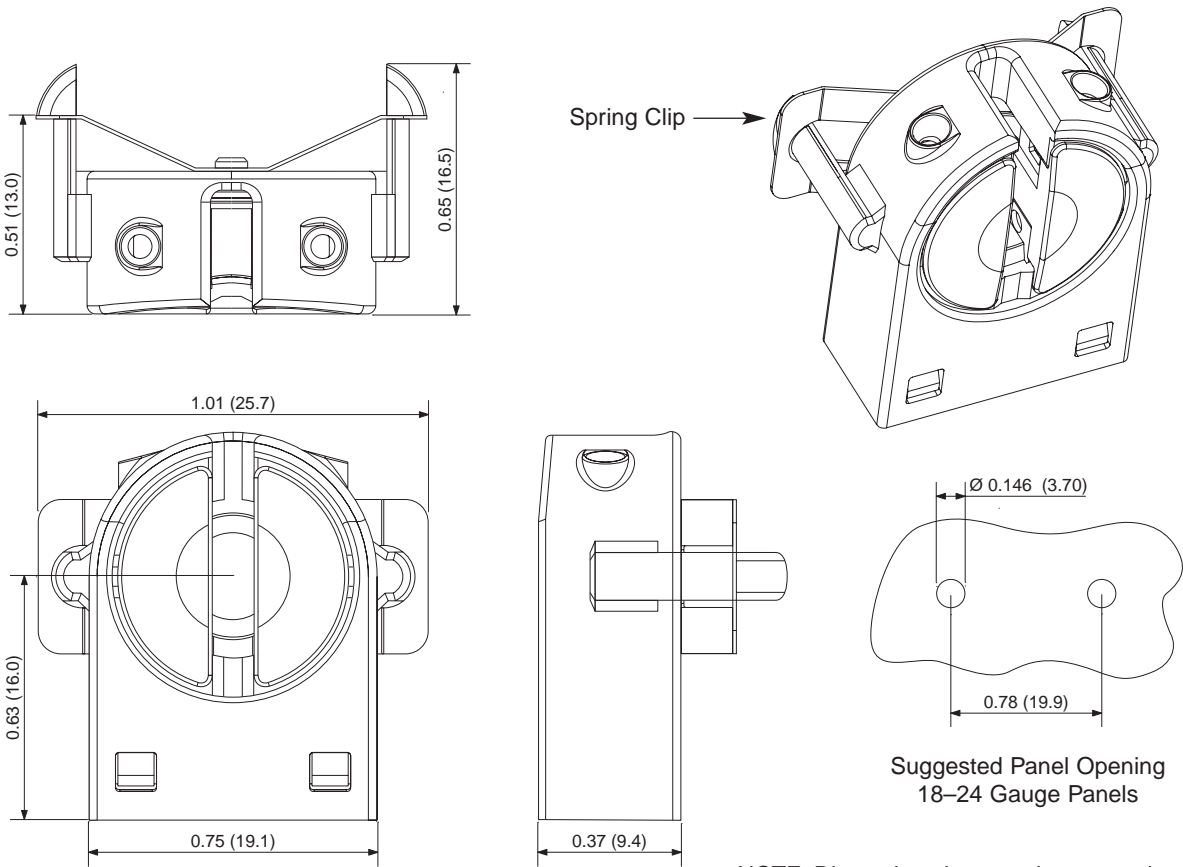
- Decorative and architectural lighting in offices, schools, hotels, libraries and high-end residential environments
- Pendant lighting in offices, schools and libraries
- Retail cove, soffit, showcase and display lighting

Features and Benefits:

- Designed for energy-efficient, high-output T-5 lamps with a slender 5/8" (16mm) diameter
- Four-position, positive-stop lamp-lock socket for easy relamping in service
- Horizontal rear split pins, available with or without spring adjustment
- Available with internal shunt connection for instant start ballasts (Cat. No. 23666) or non-shunted (Cat. No. 13666)
- Chemical-resistant white thermoplastic body
- Test ports to verify proper wiring after assembly

Dimensional Drawings

Cat. No. 13666



NOTE: Dimensions in parentheses are in millimeters.
All other dimensions are in inches.

Rating:

120W-600V

Agency Standards:

UL Listed c  us (File #E-5833)
NOM Certified (File #057)

ORDERING INFORMATION:

Cat. No.	Description
13666	Butt-On Lampholder for T-5 lamps with a G5 Base. Non-shunted.
23666	Butt-On Lampholder for T-5 lamps with a G5 Base. Shunted.



Leviton Manufacturing Co., Inc.

59-29 Little Neck Parkway, Little Neck, NY 11362-2591

Tel: 1-800-833-3532 • Tech Line (8:30AM – 7:30PM ET, Mon.-Fri): 1-800-824-3005 • FAX: 1-800-832-9538

Website: www.leviton.com • Email: infor@leviton.com

Leviton Manufacturing of Canada, Ltd.

165 Hymus Boulevard, Pointe Claire, Quebec H9R 1E9

Telephone: 1-800-469-7890 • FAX: 1-800-563-1853

