

## LED Corn Bulb Lamp Series



5 Years Warranty

### Specifications

Model	PLT-6102B
Rate Power	45W
Input Voltage	AC100-277V 50-60Hz
CCT	4000K
Power Factor	≥ 0.9
CRI	>80
Lumen	5850 lm
LED Quantity	135LEDs 0.3W
LED LM80	Yes



Rubycon

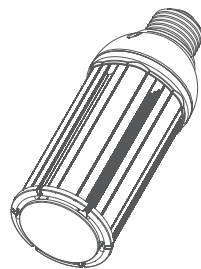
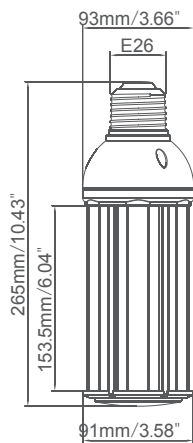


E26

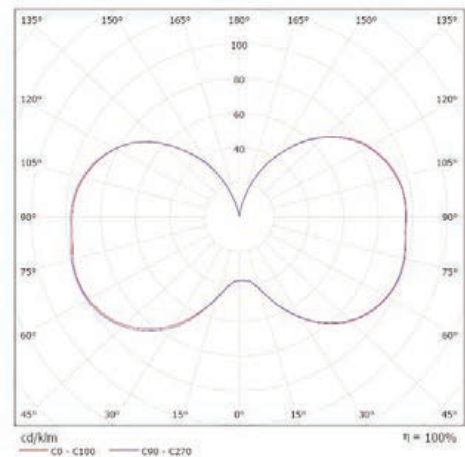


JAE Connector

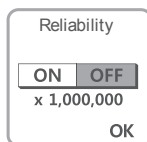
### Dimension



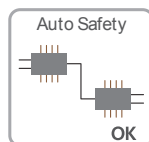
### Luminous emittance



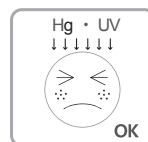
Long Lifespan of 10years



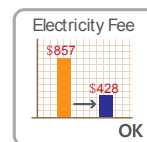
Reliability Test



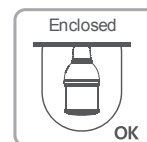
Safety Protection Circuit



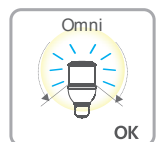
No Mercury  
No UVLight



Big Saving(87%)  
on Electricity Costs

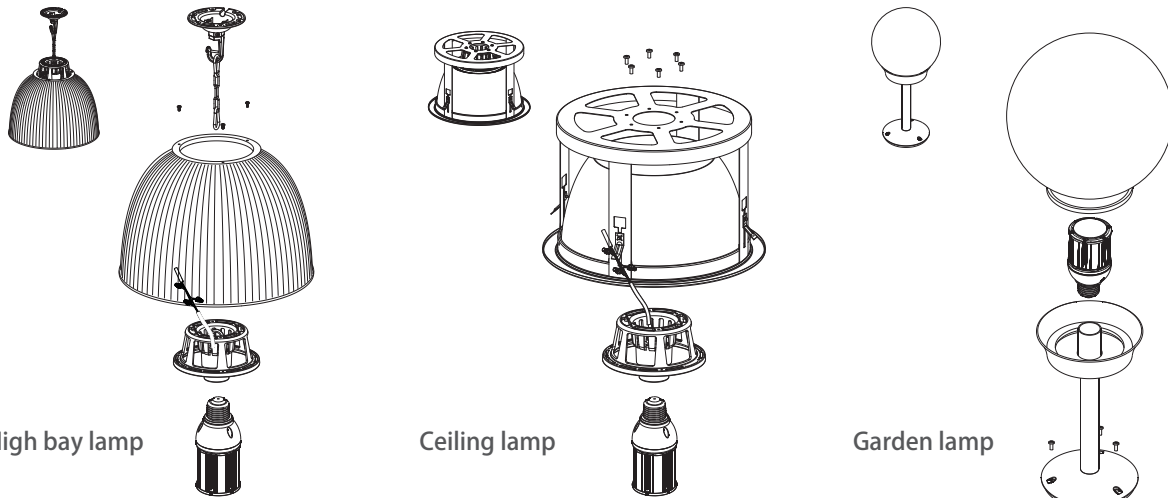


Usable in Enclosed  
Luminaires



Omni Wide Angle

## Installation



High bay lamp

Ceiling lamp

Garden lamp

## Absolute Maximum Rating

Parameter	Rating	Units
Aluminum Heat Sink Temperature	64.9	° C
Operating Temperature	-20~+65	° C
Storage Temperature	-40~+80	° C
Equilibrium Temperature	25	° C

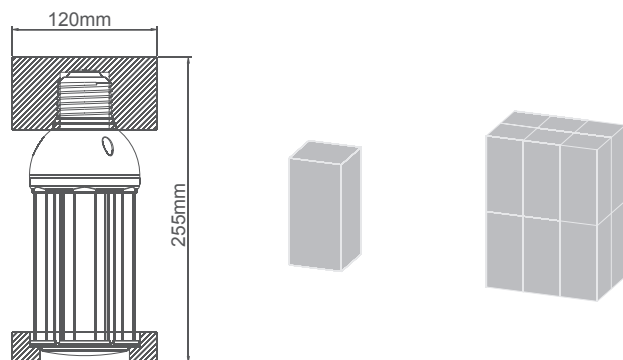
## Label

LED Corn Bulb lamp  
Model:PLT-6102  
AC100-277V 50-60Hz  
Power:45W CCT:4000K

LED Corn Bulb lamp  
Model:PLT-6102  
AC100-277V 50-60Hz  
Power:45W CCT:4000K

## Product Packing Specification

Packing Details	
Pack Quantity	12pcs
Net Weight	2lbs/933g
Gross Weight Per CTN	30.2lbs/13.7kg
Box Size	126*126*296mm
CTN Size	395*266*612mm



## ⚠ CAUTIONS

- Make sure remove the traditional ballast before replace the LED corn light.
- Don't take apart the product or replace mechanical and electronic components.
- Don't stare at the strong light for a long time as it may cause injury to eyes.