

LED Corn Bulb Lamp Series



5 Years Warranty

Specifications

Model	PLT-3104
Rate Power	18W
Input Voltage	AC100-277V 50-60Hz
CCT	5700K
Power Factor	≥0.9
CRI	>80
Lumen	2084lm
Chips	Samsung
LED Quantity	56LEDs 0.3W
LED LM80	Yes



Samsung LM561B



Rubycon

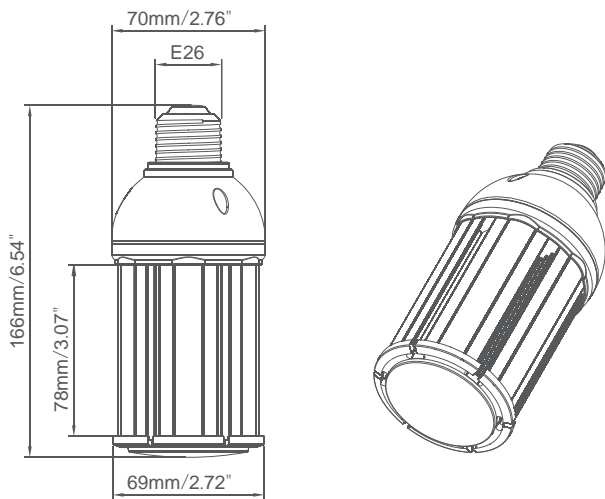


E26

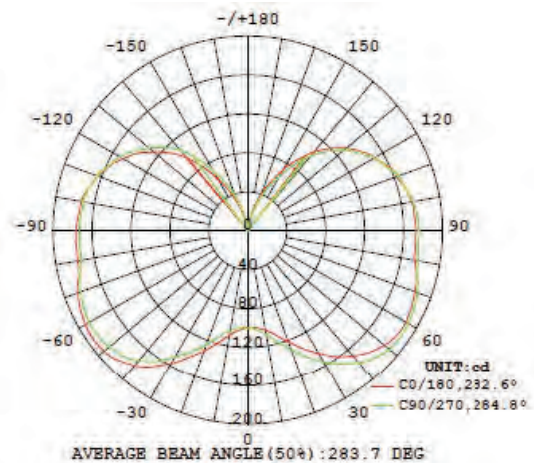


JAE Connector

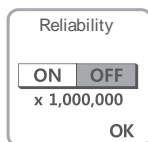
Dimension



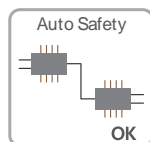
Luminous emittance



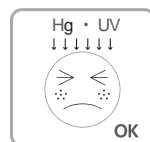
Long Lifespan of 10years



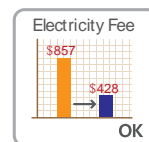
Reliability Test



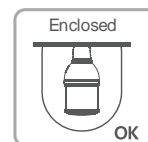
Safety Protection Circuit



No Mercury No UVLight



Big Saving(87%) on Electricity Costs

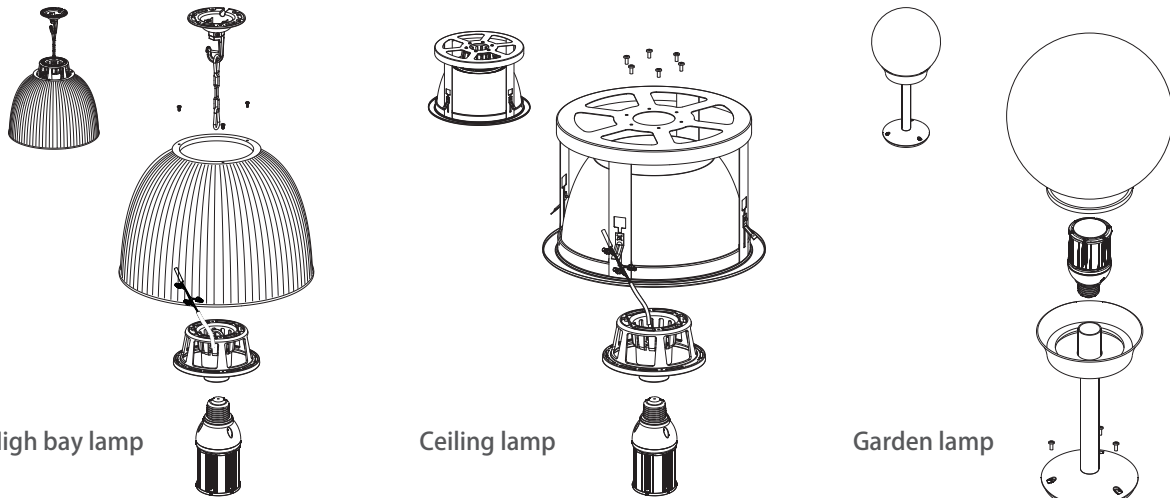


Usable in Enclosed Luminaires



Omni Wide Angle

Installation



High bay lamp

Ceiling lamp

Garden lamp

Absolute Maximum Rating

Label

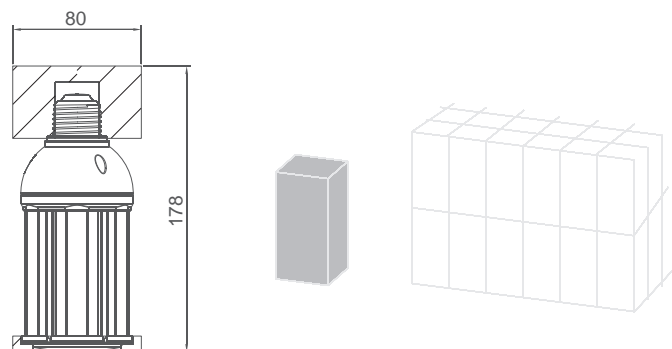
Parameter	Rating	Units
Aluminum Heat Sink Temperature	57	° C
Operating Temperature	-20~+65	° C
Storage Temperature	-40~+80	° C
Equilibrium Temperature	25	° C

LED Corn Bulb lamp
Model:PLT-3104
AC100-277V
50-60Hz Power:18W
CCT:5700K

LED Corn Bulb lamp
Model:PLT-3104
AC100-277V
50-60Hz Power:18W
CCT:5700K

Product Packing Specification

Packing Details	
Pack Quantity	24pcs
Net Weight	0.76lbs/345g
Gross Weight Per CTN	22.04lbs/10kg
Box Size	83*83*195mm
CTN Size	350*265*410mm



⚠ CAUTIONS

- Make sure remove the traditional ballast before replace the LED corn light.
- Don't take apart the product or replace mechanical and electronic components.
- Don't stare at the strong light for a long time as it may cause injury to eyes.