

Features & Specifications



LED Strip Lights

INTENDED USE – LED strip light fixtures can be used for warehouses, indoor storage facilities and office buildings. These LED fixtures will yield a significant reduction in energy consumption compared to standard fluorescent fixtures and virtually eliminate ongoing maintenance expenses with a long-lasting lifespan. Designed for use in damp locations, the LED strip light fixture will provide a brighter light output to utility areas and stairwells.

CONSTRUCTION – Heavy-duty die cast aluminum housing with white polyester powder paint for corrosion-free durability. Resistant to rough vibrations and external impacts. Heavy duty frosted lens protects the LEDs and provides even light distribution.

OPTICS – High-performance LEDs maintain a 6,500 Lumen output at 4000K for 50,000 hours of use. ≥80 CRI.

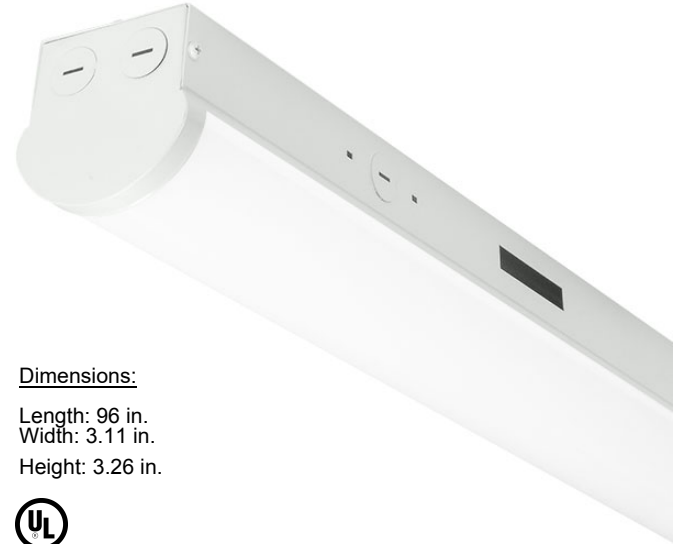
These LED strip lights are designed to have more Lumen output than fluorescent fixtures so more light is displayed to your desired area. These LED fixtures also do not lose Lumens in the same way as a CLF lamps, meaning the brightness stays consistent longer and needs to be replaced far less frequently.

ELECTRICAL – Input voltage of 120-277 VAC, 50/60Hz. Consider adding a surge protector to protect your fixtures from power surges in your electrical system as an added insurance policy to your investment.

INSTALLATION – Features two metal buckle plates that snap-on to the strip light fixture for surface mounting or can be suspended using the included v-shaped hooks and pendant cords. Dimmable down to 10% using a 0-10V dimmable driver.

LISTINGS – UL Certified to safety standards for damp location. Rated for -40°C to 50°C ambient temperature.

WARRANTY – 3-year warranty. PLT products that are damaged or defective will be repaired or replaced at PLT's choosing for a period of 3 years. Contact 1-800-624-4488 for more information.



Dimensions:

Length: 96 in.
Width: 3.11 in.
Height: 3.26 in.



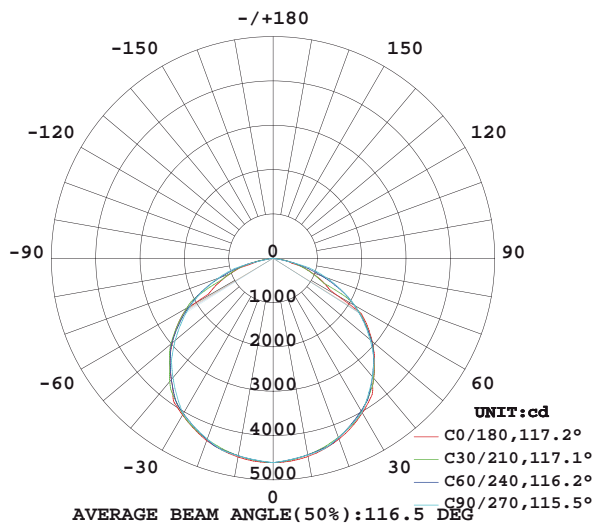
Additional Photos:



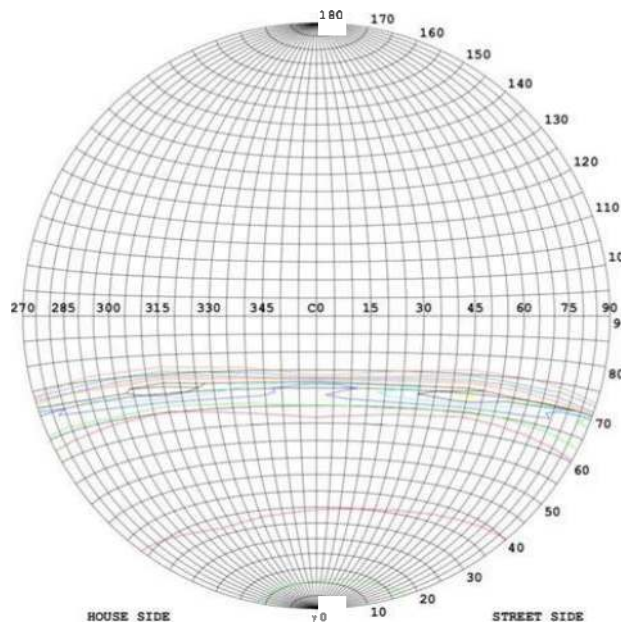
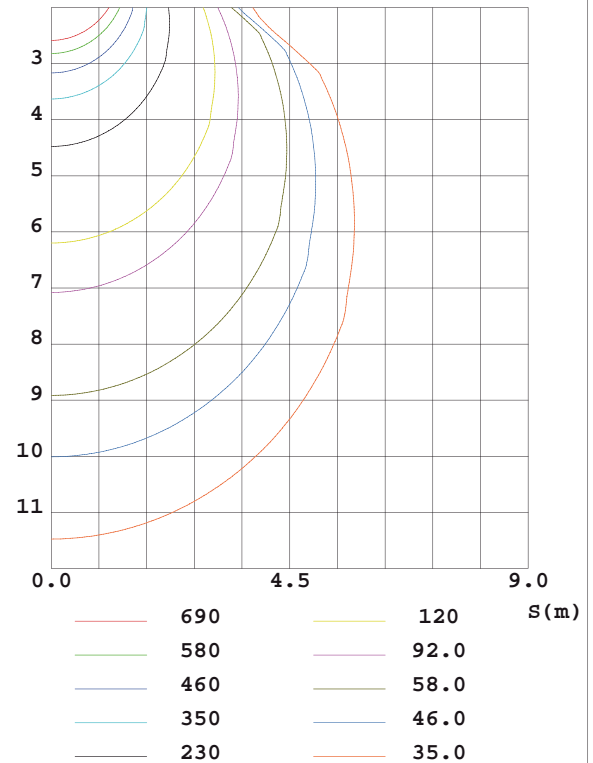
SKU #	Kelvin	Lumens	CRI	Wattage	Voltage	DLC	Mounting	Life Hours	Warranty
PLT-11390	4000	6,500	80	50	120-277	NO	Surface/Suspended	50,000	3 YEAR

PHOTOMETRICS

LUMINOUS INTENSITY DISTRIBUTION DIAGRAM



C0 PLANE ISOLUX DIAGRAM (UNIT:lx)



Classification:

IES:Type V - Short
 CIE:Broad - Short
 IES:Cut-off
 CIE:Full cut-off
 Max. At80:3.738cd/klm
 Max. At90:0.1814cd/klm
 Max. 80-90:3.738cd/klm

ISOCANDELA DIAGRAM

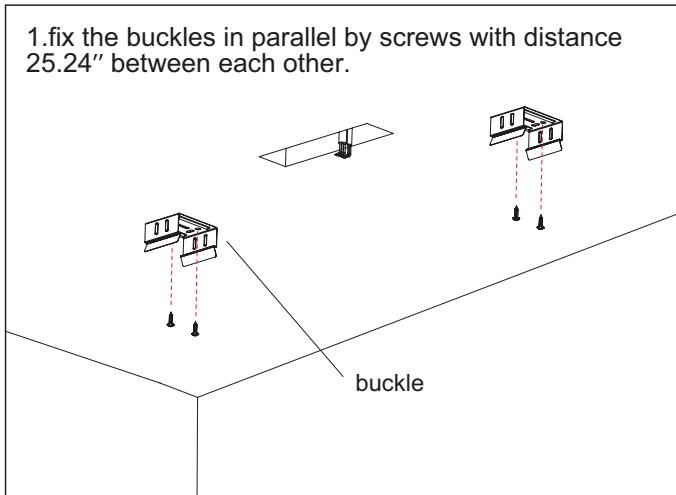
UNIT	cd
I _{max} =100%	4003
90%	3603
80%	3202
70%	2802
60%	2402
50%	2001
40%	1601
30%	1201
20%	801
10%	400
5%	200

Strip Light Fixture

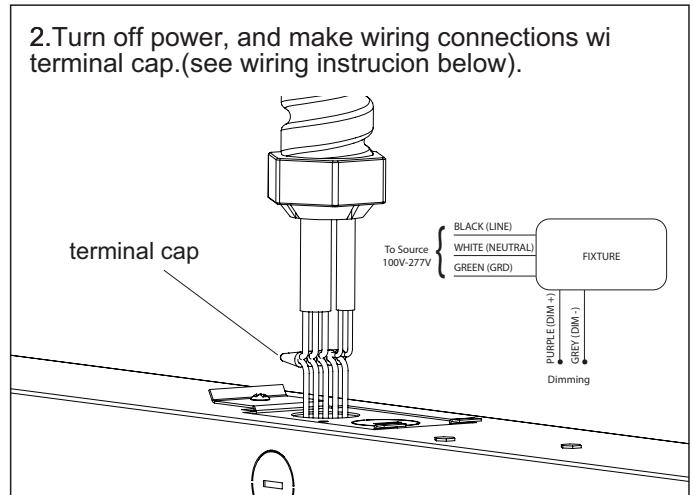
Installation Instructions:

Surface Mounted Installation

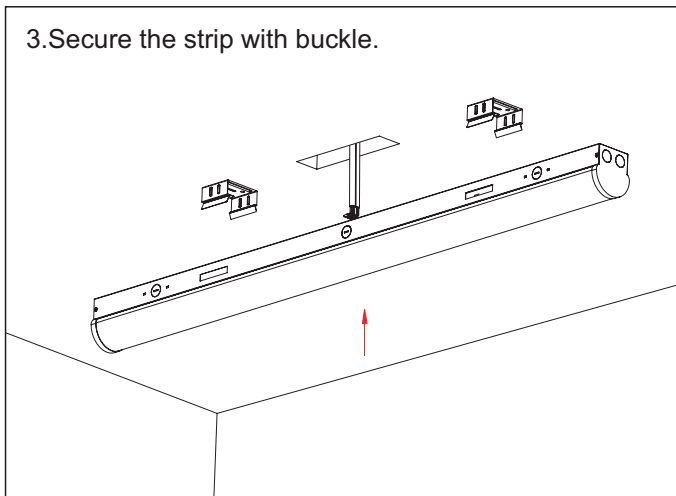
1. fix the buckles in parallel by screws with distance 25.24" between each other.



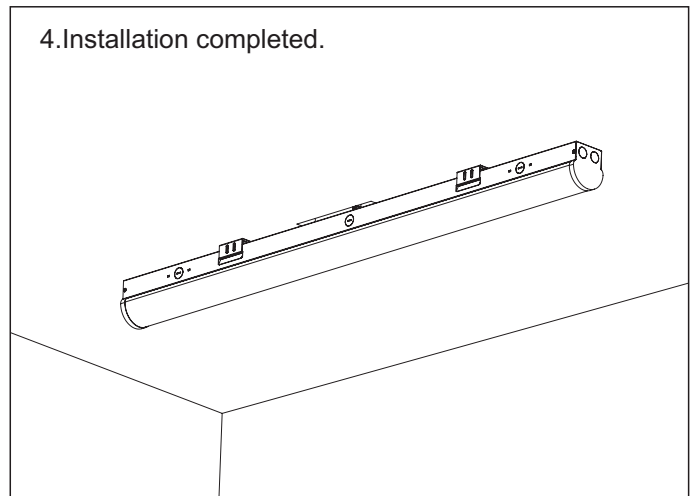
2. Turn off power, and make wiring connections with terminal cap. (see wiring instruction below).



3. Secure the strip with buckle.

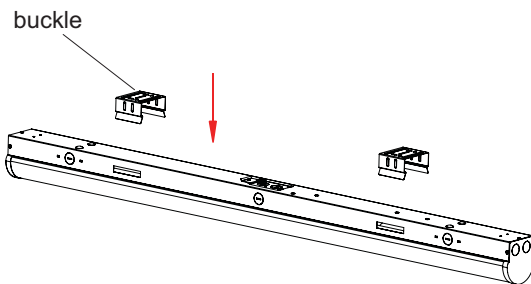


4. Installation completed.

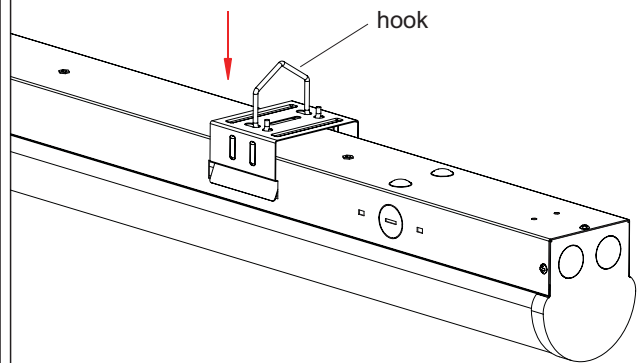


Chain Installation

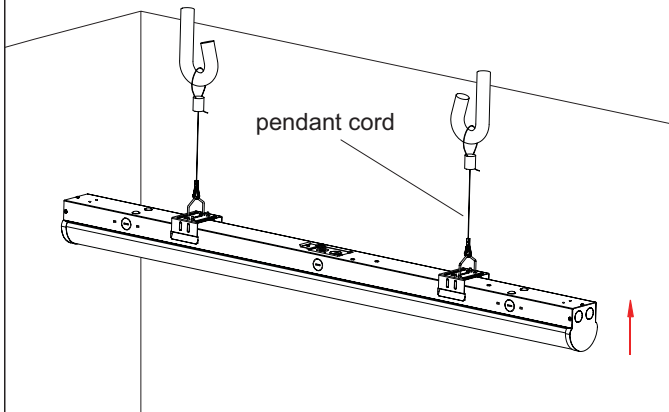
1. Snap buckle into the lamp body.



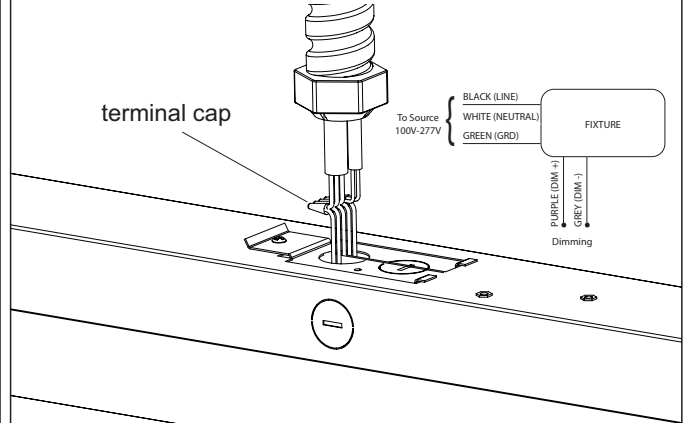
2. Attach the hook at the slotted holes of the buckle.



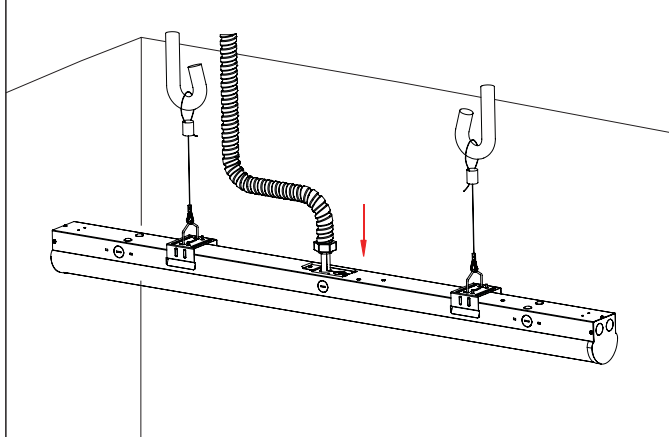
3. Hook the buckle with pendant cord and suspend the light to the desired height.



4. Turn off power, and make wiring connections with terminal cap. (see wiring instruction below)



5. Insert the terminal block and wires into the strip.



6. Insert the wire terminal joint to the wire entry.

