

# UNIVERSAL PL RETROFITS INSTALLATION AND USER'S GUIDE

## LED-7320-G3 | LED-7324-G3

**PRIOR TO INSTALLATION, PLEASE READ THE ENTIRE INSTALLATION INSTRUCTIONS**

**DANGER** Risk of Electric shock. Disconnect power to the luminaire at the source before installation.

**WARNING - RISK OF FIRE OR ELECTRIC SHOCK**

LED Retrofit Kit installation requires knowledge of luminaires electrical systems. If not qualified, do not attempt installation. Contact a qualified electrician. Installation should be performed by a qualified electrician in accordance with the National Electrical Code and relevant local code.

Install this kit only in the luminaires that have the construction features and dimensions shown in the photographs and/or drawings and where the input rating does not exceed the input rating of the luminaire.

**WARNING** To prevent wiring damage or abrasion, do not expose wiring to edges of sheet metal or other sharp objects.

**CAUTION** If the lamp or luminaire exhibits undesirable operation, immediately turn off the power, remove the lamp and contact the manufacturer.

**THIS DEVICE IS NOT INTENDED FOR USE WITH EMERGENCY EXITS**

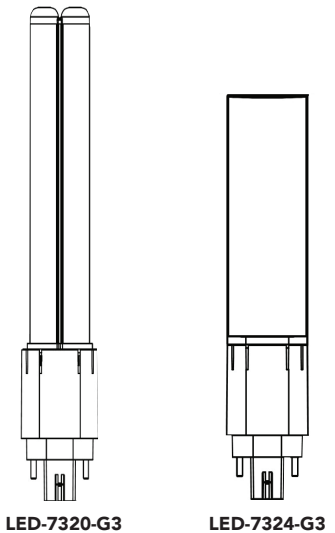
Suitable for use in damp locations. Do not use where exposed to water.

Suitable for use with 120-277VAC or compatible electronic ballast. Please see list below.

Suitable for use in open, semi-enclosed or recessed fixtures.

Not for use in fully enclosed fixtures.

This lamp is not compatible with all electronic ballasts. If the ballast is not listed as compatible, then bypass the ballast and run on 120-277VAC line voltage



LED-7320-G3

LED-7324-G3

**CONTENTS**

- 1 PC LED RETROFIT LAMP
- 1 PC RE-LAMPING LABEL
- 1 PC INSTALLATION INSTRUCTIONS

## INSTALLATION REQUIREMENTS

MODEL	VOLTAGE	BALLAST COMPATIBILITY	BASE TYPE	ENVIRONMENT	ACCEPTABLE FIXTURES	MIN. COMPT. DIMENSIONS	
						DIAMETER	HEIGHT
LED-7320-XXK-G3	120-277VAC	SEE LIST BELOW	G24q & GX24q	SUITABLE FOR DAMP LOCATIONS	INDOOR - OPEN FIXTURE INDOOR RECESSED	3.5"	7.0"
LED-7324-XXK-G3							

**LED-7320-G3 & LED-7324-G3  
BALLAST COMPATIBILITY LIST**

	COMPATIBLE BALLASTS	1 LAMP		2 LAMP	
		120V	277V	120V	277V
PHILIPS / ADVANCE	2S13-H1-LD	✓	✓	✓	✓
	2S18-H1-LD	✓	✓	✓	✓
	2S26-H1-LD	✓	✓	✓	✓
	2S42-M2-LD	✓	✓	✓	✓
UNIVERSAL / TRIAD	C213UNVME	✓	✓	✓	✓
	C218UNVME	✓	✓	✓	✓
	C2642UNVME	✓	✓	✓	✓
	C242UNVME	✓	x	✓	x
OSRAM / SYLVANIA	QTP1/2X18CF/UN DM	✓	✓	✓	✓
	QTP 2X26CF/UNV DM	✓	✓	✓	✓
KEYSTONE	KTEB-226-UV-TP-PIC-DW	✓	✓	✓	✓

✓ = COMPATIBLE  
x = NOT COMPATIBLE



# UNIVERSAL PL RETROFITS INSTALLATION AND USER'S GUIDE

## LED-7320-G3 | LED-7324-G3

### INSTALLATION INSTRUCTIONS

1. Turn off power to the luminaire at switch and circuit breaker.
2. Allow luminaire to cool and remove lamps.
3. Ensure that the luminaire, ballast and electrical input meet the requirements listed above.
4. If using the ballast, please confirm that it is a compatible ballast and then proceed to step 9. If a compatible ballast is not present, then bypass the ballast and run on line voltage.
5. If bypassing the ballast, please refer to the wiring diagrams.
6. Cut or disconnect the wires to and from the ballast.
7. If desired, remove the ballast.
8. Connect the wires from the power source to the socket leads as shown in the wiring diagrams.
9. Insert the lamp into the lamp holder. Confirm that the socket is in good condition and that the lamp is fully seated in the socket.
10. Apply the silver adhesive label to the inside of the luminaire where it will be visible during re-lamping.
11. Turn on the power to the fixture and verify proper operation.

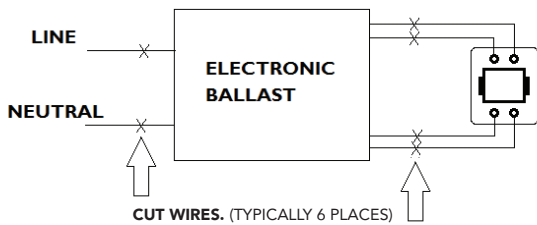
**NOTE** IF INSTALLING THE LAMP WITH A BALLAST, AND THE LAMP DOES NOT OPERATE PROPERLY, PLEASE BYPASS THE BALLAST (SEE STEP 5). IF THE LAMP DOES NOT OPERATE CORRECTLY, PLEASE CONTACT THE MANUFACTURER.

### WIRING DIAGRAM

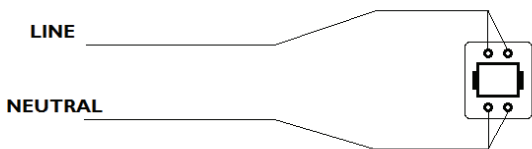
#### 4PIN BALLAST BYPASS | SINGLE LAMP

##### ► DISCONNECT EXISTING BALLAST

Either disconnect or cut wires



##### ► CONNECT LAMP TO LINE VOLTAGE



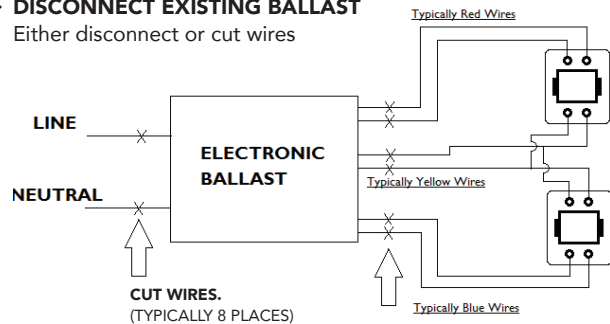
**NOTE** Lamp is not polarity sensitive.  
Line and Neutral can be connected to either pair of pins

### WIRING DIAGRAM

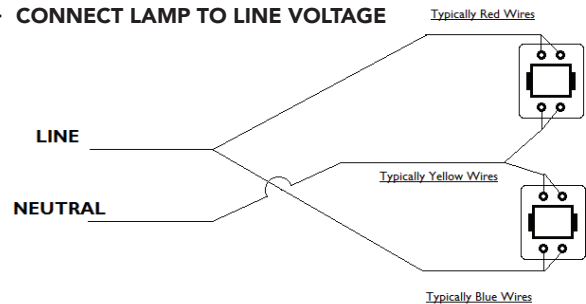
#### 4PIN BALLAST BYPASS | TWO LAMP

##### ► DISCONNECT EXISTING BALLAST

Either disconnect or cut wires



##### ► CONNECT LAMP TO LINE VOLTAGE



**NOTE** Lamp is not polarity sensitive.  
Line and Neutral can be connected to either pair of pins

