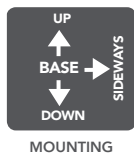
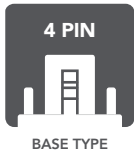


PL RETROFITS 4 PIN TYPE A/B UNIVERSAL



Universal PL Lamps

high output



LED-7320
Omni-Directional

quad-tube design

- Replace CFL lamps with reliable, long-lasting, energy efficient LED
- Universal products operate on 120-277V or a compatible ballast
- 10W, 11W and 12W replacing up to 42W CFL lamps
- Up to 1,600 lumen output
- Suitable for damp environments and semi-enclosed recessed fixtures (Not for use in enclosed fixtures)
- Rotating base on LED-7324 allows for optimal light output



LED-7318
Vertical

rotating base



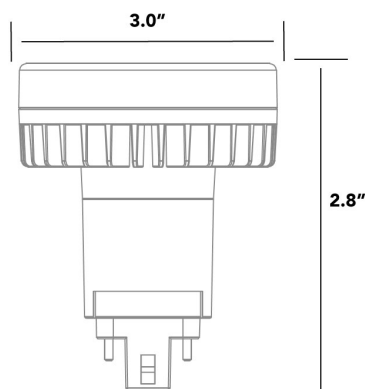
LED-7324
Horizontal

| PART # | REPLACES UP TO | WATTAGE | LUMENS | CCT (K) | BASE |
|-----------------|----------------|---------|--------|---------|---------|
| LED-7318-40A | 26W 4 Pin CFL | 12W | 1198 | 4000K | G/GX24q |
| LED-7320-40K-G3 | 42W 4 Pin CFL | 10W | 1600 | 4000K | G/GX24q |
| LED-7324-40K-G3 | 42W 4 Pin CFL | 11W | 1200 | 4000K | G/GX24q |

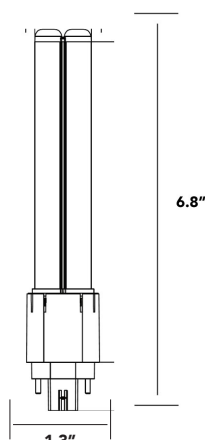
*For ballast compatibility list, see page 3



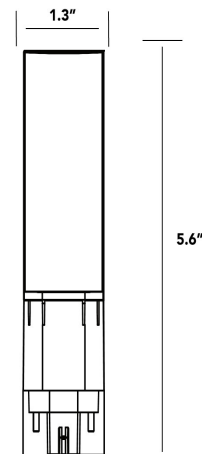
PL RETROFITS 4 PIN TYPE A/B UNIVERSAL



LED-7318



LED-7320



LED-7324

ORDERING GUIDE

| PART # | UPC | REPLACES | WATTAGE | LUMENS | CCT (K) | BASE |
|-----------------|--------------|---------------|---------|--------|---------|---------|
| LED-7318-27A | 844006073503 | 26W 4 Pin CFL | 12W | 837 | 2700K | G/GX24q |
| LED-7318-35A | 844006073510 | 26W 4 Pin CFL | 12W | 1157 | 3500K | G/GX24q |
| LED-7318-40A | 844006073527 | 26W 4 Pin CFL | 12W | 1198 | 4000K | G/GX24q |
| LED-7320-27K-G3 | 844006024703 | 42W 4 Pin CFL | 10W | 1350 | 2700K | G/GX24q |
| LED-7320-35K-G3 | 844006024727 | 42W 4 Pin CFL | 10W | 1550 | 3500K | G/GX24q |
| LED-7320-40K-G3 | 844006024734 | 42W 4 Pin CFL | 10W | 1600 | 4000K | G/GX24q |
| LED-7320-50K-G3 | 844006024741 | 42W 4 Pin CFL | 10W | 1635 | 5000K | G/GX24q |
| LED-7324-27K-G3 | 844006024758 | 42W 4 Pin CFL | 11W | 1050 | 2700K | G/GX24q |
| LED-7324-35K-G3 | 844006024772 | 42W 4 Pin CFL | 11W | 1125 | 3500K | G/GX24q |
| LED-7324-40K-G3 | 844006024789 | 42W 4 Pin CFL | 11W | 1200 | 4000K | G/GX24q |
| LED-7324-50K-G3 | 844006024796 | 42W 4 Pin CFL | 11W | 1200 | 5000K | G/GX24q |

Additional Notes:

- This lamp is not compatible with all electronic ballasts. If the ballast is not listed as compatible, then bypass the ballast and run on 120-277VAC Line Volatage.
- Instructions available on led-llc.com
- Do not use in fully enclosed fixtures
- Non-Dimmable
- For dimming applications, LED-7330 or 7334 may work better

PL RETROFITS 4 PIN TYPE A/B UNIVERSAL



LED-7318 BALLAST COMPATIBILITY LIST

| COMPATIBLE BALLASTS | | 1 LAMP | | 2 LAMP | |
|---------------------|-------------------|--------|------|--------|------|
| | | 120V | 277V | 120V | 277V |
| PHILIPS / ADVANCE | 2S13-H1-LD | ✓ | ✓ | ✓ | ✓ |
| | 2S18-H1-LD | ✓ | ✓ | ✓ | ✓ |
| | 2S26-H1-LD | ✓ | ✓ | ✓ | ✓ |
| | 2S42-M2-LD | ✓ | x | ✓ | ✓ |
| UNIVERSAL / TRIAD | C213UNVME | ✓ | ✓ | ✓ | ✓ |
| | C218UNVME | ✓ | ✓ | ✓ | ✓ |
| | C2642UNVME | ✓ | ✓ | ✓ | ✓ |
| | C242UNVME | ✓ | x | ✓ | x |
| OSRAM / SYLVANIA | QTP1/2X18CF/UN DM | ✓ | ✓ | ✓ | ✓ |
| | QTP 2X26CF/UNV DM | ✓ | ✓ | ✓ | ✓ |

*For full LED-7318 ballast compality list, see instruction sheet

LED-7320-G3 LED-7324-G3 BALLAST COMPATIBILITY LIST

| COMPATIBLE BALLASTS | | 1 LAMP | | 2 LAMP | |
|---------------------|-----------------------|--------|------|--------|------|
| | | 120V | 277V | 120V | 277V |
| PHILIPS / ADVANCE | 2S13-H1-LD | ✓ | ✓ | ✓ | ✓ |
| | 2S18-H1-LD | ✓ | ✓ | ✓ | ✓ |
| | 2S26-H1-LD | ✓ | ✓ | ✓ | ✓ |
| | 2S42-M2-LD | ✓ | ✓ | ✓ | ✓ |
| UNIVERSAL / TRIAD | C213UNVME | ✓ | ✓ | ✓ | ✓ |
| | C218UNVME | ✓ | ✓ | ✓ | ✓ |
| | C2642UNVME | ✓ | ✓ | ✓ | ✓ |
| | C242UNVME | ✓ | x | ✓ | x |
| OSRAM / SYLVANIA | QTP1/2X18CF/UN DM | ✓ | ✓ | ✓ | ✓ |
| | QTP 2X26CF/UNV DM | ✓ | ✓ | ✓ | ✓ |
| KEYSTONE | KTEB-226-UV-TP-PIC-DW | ✓ | ✓ | ✓ | ✓ |

✓ = COMPATIBLE
x = NOT COMPATIBLE

