

The retrofit kit includes one (1) LED tube, one (1) installation instruction, and one (1) field-applied "Modified Luminaire" label.

Instructions are for the following lamps:

T8045030E T8045035E T8045041E T8045050E

T8044630E T8044635E T8044641E T8044650E

The T8 LED tubes are intended to retrofit a type Non-IC or type IC recessed enclosed fluorescent luminaire with straight tubular lamps.

Installation Instructions

STEP 1: Check all the items of the retrofit kit.

STEP 2: Shut off power before work.

STEP 3: Check if the LED tubes rating parameters can be replaced in this luminaire, below is the original wiring drawing, shown as below Fig. 1 (Preheating Ballast) or Fig. 2 (Magnetic/Electronic Ballast):

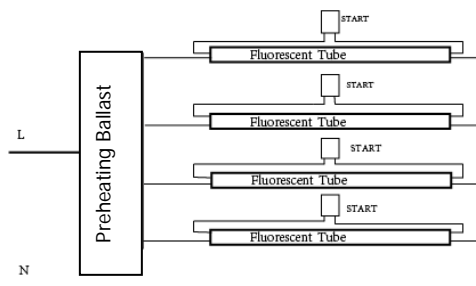


Fig. 1 (Existing Preheating Ballast)

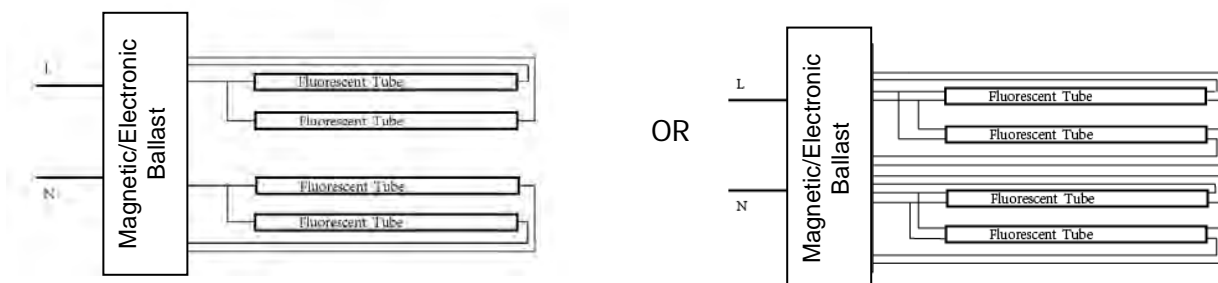


Fig. 2 (Existing Magnetic/Electric Ballast)

STEP 4: Take off the diffuser of lamp panel (if applicable), then remove the fluorescent lamp tube(s) which need to be replaced.

STEP 5: In accordance with the bellow drawing, cut off all wires connected to the ballast and starter (if provided), shown as below, Fig. 3 (Preheating Ballast) or Fig. 4 (Magnetic/Electronic Ballast):

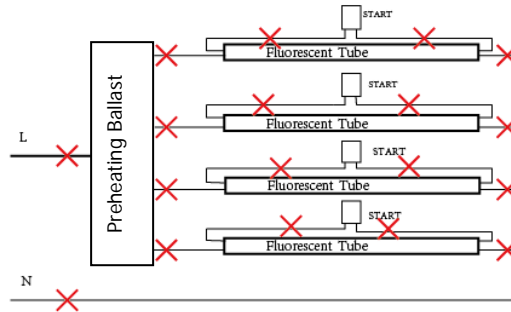


Fig. 3 (Removing Preheating Ballast) or

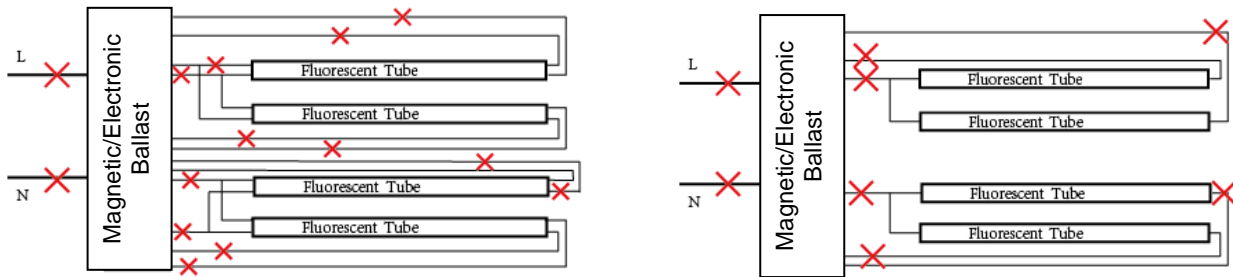



Fig. 4 (Removing Magnetic/Electronic Ballast)

<p>Typical Non-Shunted Lampholder</p>  <p>Connect wires directly to these terminals</p>	<p>CAUTION: Use only non-shunted lampholders.</p> <p>Do not install product in a fixture with shunted lampholders (found in all fixtures using instant start ballasts). If the current lampholders are shunted, remove them and replace them with non-shunted lampholders. Make new connections directly to terminals as indicated above.</p>
--	--

STEP 6: In accordance with the below drawing, connect the wires of "L" and "N", shown as below Fig. 5:

