

Incandescent Rope Light

Safety instructions for 13MM-150 Series and 10MM-150(120V)



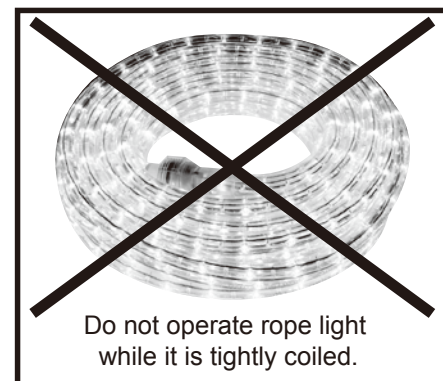
WARNING: These products may represent a possible shock or fire hazard if improperly installed or attached in any way. Products should be installed in accordance with these instructions, current electrical codes and/or the current National Electric Code (NEC). Only use this fixture with the plug-in power cord that is supplied with the fixture. Any other power cord or feed may damage the fixture.

IMPORTANT SAFETY INSTRUCTIONS

READ AND FOLLOW ALL SAFETY INSTRUCTIONS

CAUTION: To reduce risk of fire, electric shock or injury to persons:

1. Do not cover this product as the covering may cause the flexible light to overheat and melt or ignite.
2. Risk of fire and electric shock, uncoil flexible light prior to plugging into receptacle.
3. Do not operate with the flexible light tightly coiled.
4. Do not puncture, cut, shorten or splice the flexible lighting.
5. Do not route the cord or flexible lighting through walls, doors, windows or any like part of the building structure.
6. Do not use if there is any damage to the light or cord insulation. Inspect periodically.
7. Do not submerge flexible light in liquids, or use the product in the vicinity of standing water or other liquids.
8. Secure this flexible light using only the hangers or clips provided. Do not secure this product or its cord with staples, nails, or like means that may damage the insulation.
9. Do not subject flexible lighting to continuous flexing.
10. Do not exceed the length in feet permitted by the marking on the body of the Rope Light.
11. Ensure that all connections including the end cap on the last segment, are tightly secured to preclude the entry of water.
12. Do not install on gates or doors, where subject to flexing.
13. Do not install in cabinets, tanks, or enclosures of any kind.
14. Do not mount or secure rope light in a manner that can cut the outer jacket or damage cord insulation. Inspect the rope light carefully before use and discard any rope light that has a broken outer jacket, loose connection or frayed wire insulation.
15. Risk of fire. Do not replace attachment plug. Plug contains a safety device (fuse) that should not be removed. Discard product if attachment plug is damaged.
16. This product has a polarized plug (one blade is wider than the other) as a safety feature to reduce the risk of electric shock. This plug will fit in a polarized outlet only one way. If the plug does not fit fully in the outlet, reverse the plug. If it still does not fit, contact a qualified electrician. Never use with an extension cord unless plug can be fully inserted. Do not alter plug.



SAVE THESE INSTRUCTIONS

WARNING: Risk of fire

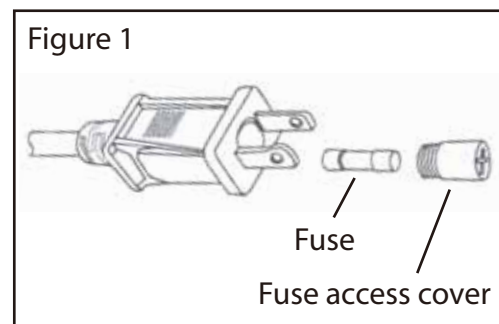
Do not replace attachment plug! Plug contains a safety feature (fuses) that should not be removed.

ALTERNATE FUSE ACCESS AND REPLACEMENT INSTRUCTIONS:

This plug contains an electrical fuse as a safety feature.

To replace the fuse (see Figure 1):

1. Disconnect power before replacing the fuse.
2. Grasp plug and remove from the receptacle or other outlet device.
3. Do not unplug by pulling on the cord.
4. Unscrew the fuse access cover on top of the attachment plug.
5. Remove old fuse carefully.
6. Never attempt to replace the fuse with a higher wattage fuse. Use only 5 Amp 125 Volt fuse. Failure to do so may be a fire hazard.
7. Set new fuse in holder.
8. Reinstall the fuse access cover.



Incandescent Rope Light

Safety instructions for 13MM-150 Series and 10MM-150(120V)



CUTTING ROPE LIGHT (see Figure 2)

NOTE: Cutting the rope light bulk reel and/or altering the power cord in any way will void the UL Listing.

NOTE: Do not exceed 150 foot maximum run distance in any single run!

1. Determine the required length for Rope Light.
2. Cut the Rope Light at the end/beginning of the nearest series increment. NOTE: Rope Light is wired in series parallel and every 24" comprises a series increment. Cutting anywhere other than the end/beginning of a series increment will result in a loss of 24" (total) of light. See Figure 2.
3. Attach power connector to cut Rope Light section per Figure 3.
4. Attach the plastic cap on the other end of the cut section of Rope Light by pressing firmly until seated. For outdoor applications, use dielectric grease inside the end cap before attaching and seal the connection with heat shrink tube.

INSTALLING ROPE LIGHT

1. Attach mounting clips with nails or screws onto wooden surfaces. Be sure that surface is mechanically sound. See Figure 4.
2. For best results, mounting clips should be evenly spaced and be a maximum of 12 inches apart.
3. Make sure that the distance between any two lines of Rope Light are at least 1/2" apart.
4. Gently press rope light into clips so that it snaps into place.

Figure 2

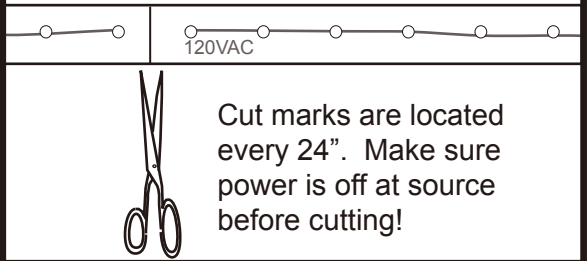


Figure 3

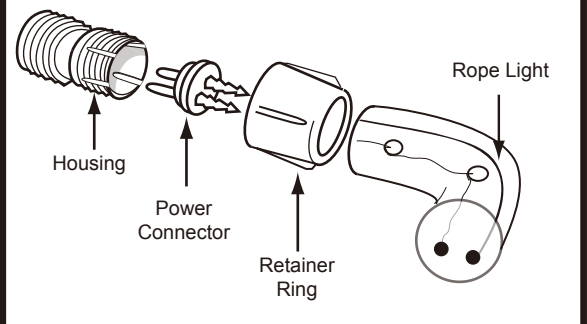
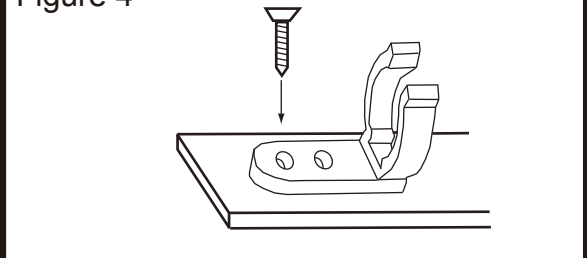


Figure 4



NOTE: Cutting the rope light bulk reel and/or altering the power cord in any way including, but not limited to, cutting, splicing and/or adding any power accessories will void the UL (c/ULus) Listing.

PROP 65 WARNING

Handling the coated electrical wires of this product exposes you to lead, a chemical known to the State of California to cause cancer, birth defects and other reproductive harm.

WASH HANDS AFTER USE