

Catalog Number	
Notes	Type

FEATURES & SPECIFICATIONS

INTENDED USE

Drill mount tenon adaptor converts pole-top tenons to accommodate arm-mounted luminaires.

CONSTRUCTION

Adaptor is formed from aluminum 6061 alloy schedule 40 pipe, heat-treated to a T6 temper after welding. Welding follows industry-standard best practices.

Hardware: Stainless steel set screws included.

Top cap: Plastic top cap included.

Finish: Must specify finish.

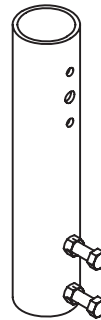
INSTALLATION

Slide slipfitter over pole tenon and tighten down set screws. Proceed with arm installation.

Drill-Mount Tenon Slipfitter

TXX/ASTXX

STANDARD (TXX) OR AERIS™/OMERO™ (ASTXX)
DRILL PATTERN



(See next page for dimensions and drawings.)

ORDERING INFORMATION

Lead times will vary depending on options selected. Consult with your sales representative.

Example: T20-280 DDB

Drilling and slipfitter size ^{1,2}		Drilling orientation	
T20	2-15/32" I.D.	190	1 at 90°
T25	3-3/8" I.D.	280	2 at 180°
T35	4-1/4" I.D.	290	2 at 90°
AST20	2-15/32" I.D.	320	3 at 120°
AST25	3-1/16" I.D.	390	3 at 90°
AST35	4-3/32" I.D.	490	4 at 90°

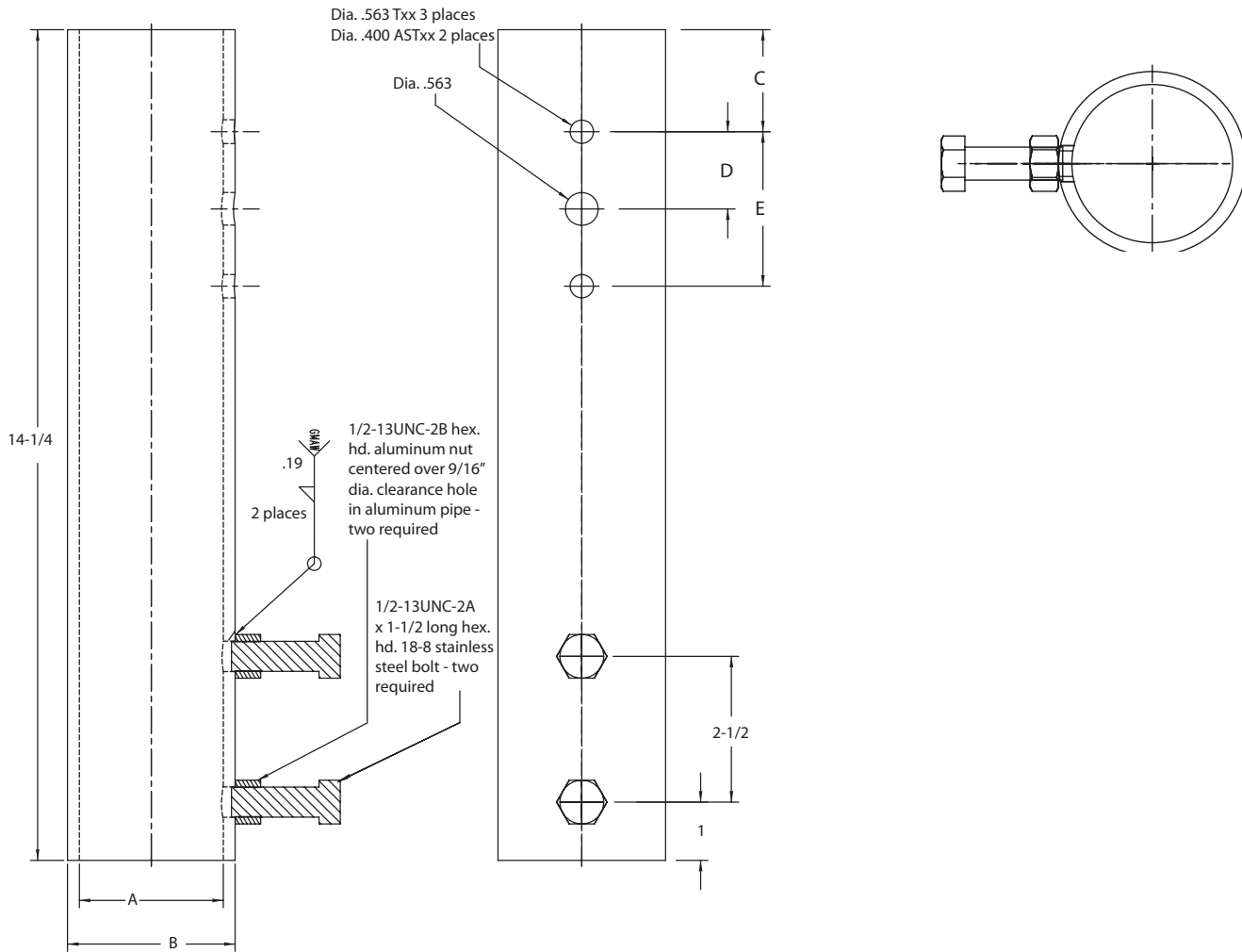
Finish ³	
<u>Standard colors</u>	
DDB	Dark bronze
DWH	White
DBL	Black
DMB	Medium bronze
BA	Brushed aluminum
<u>Classic colors</u>	
DSS	Sandstone
DGC	Charcoal gray
DTG	Tennis green
DBR	Bright red
DSB	Steel blue
<u>Primer finish</u>	
DPRM	Red primer
<u>Class 1 architectural anodized</u>	
ABL	Black
ADB	Dark bronze
ANA	Natural

Architectural colors³ (powder finish)

NOTES:

- 1 Txx is drill template #5. ASTxx is drill template #8. Special drillings available; consult factory.
- 2 Additional custom sizes are available; consult factory.
- 3 Finish must be specified. Additional colors available; see www.lithonia.com/archcolors or the Architectural Colors brochure (Form No. 794.3).

Txx/ASTxx Drill-Mount Tenon Slipfitter; Metal, Fiberglass or Concrete Poles



Txx-xxx/ASTxx-xxx Drill-Mount Tenon Slipfitter

Lithonia Lighting Catalog Number	Drilling Template Pattern	Dimensions (inches)				
		A	B	C	D	E
T20-xxx	#5	2.468	2.875	1.750	2.125	4.250
T25-xxx	#5	3.062	3.500	1.750	2.125	4.250
T35-xxx	#5	4.100	4.574	1.750	2.125	4.250
AST20-xxx	#8	2.468	2.875	1.750	1.325	2.650
AST25-xxx	#8	3.062	3.500	1.750	1.325	2.650
AST35-xxx	#8	4.100	4.574	1.750	1.325	2.650

IMPORTANT:

- These specifications are intended for general purposes only. Lithonia Lighting reserves the right to change material or design, without prior notice, in a continuing effort to upgrade its products.

CAUTION:

- The arms described herein are designed for applications in areas of normal winds. Consult the factory prior to the design of systems to be mounted on structures such as bridges or buildings, or areas known to have abnormal winds such as airports or coastal areas. Failure to consider these factors in the system design could result in the failure of the pole or mast arm, and consequently personal injury or property damage.

