



Project	
Notes	
Type	Date
Cat. No.	

UCL™ Series

Dual Kelvin LED Undercabinet Fixture

DESCRIPTION

The UCL series is a next generation, direct wire undercabinet fixture that Provides task or accent lighting in commercial, retail, hospitality and residential applications. Standard knockouts are located on top, back or ends for direct connection. A direct wire UL listed connector is included and is suitable for 3/8" flexible conduit or 3 wire Romex. Ideal for use under and over cabinets, display cases, task lighting, office lighting, coves, and utility/work areas.



Specification Features



Construction

Low profile steel housing available in white, nickel, satin, or oil rubbed bronze finishes. Designed to prevent "hot spots" on counter tops. Lens design and materials provide uniform appearance without pixleation.

Qualifications

All luminaires are built to UL 1598 and 2108 standards, and bear appropriate ETL labels. Damp location labeling is standard. Emergency equipped fixtures labeled UL924. Adheres to LM70, LM80, and TM21 industry standards. ENERGY STAR® certified product (for 3000K and 4000K only) and Title 24 qualified. Dedicated 120V Models are FCC Title 47 CFR, Part 15, Class B for residential and commercial applications. California Title 24 Compliant, JAB compliant, CEC Listed.

Electrical

Equipped standard with 120V 15-100% dimming driver, operating at 60Hz. Dims to 10%.

Installation

Each unit is secured to mounting surface using two fasteners. All mounting hardware included.

Warranty

3-year Limited Warranty. See warranty documentation for more information.

UCL Series

- 9" Length
- 12" Length
- 18" Length
- 24" Length
- 33" Length
- 42" Length

Rated Life 50,000 hours
Limited Warranty 3 years
Efficacy Up to 51 LPW
Continuous Dimming



Quick Ship

- UCL-9-5-120D-930/40-WH
- UCL-12-5-120D-930/40-WH
- UCL-18-9-120D-930/40-WH
- UCL-21-9-120D-930/40-WH
- UCL-24-9-120D-930/40-WH
- UCL-33-14-120D-930/40-WH
- UCL-42-18-120D-930/40-WH

Ordering Information

Example: UCL-12-5-120D-930-WH

UCL	12	5	120D	9	30/40	WH
Series UCL LED Undercabinet Fixture	Form Factor 9- 9" Length 12- 12" Length ² 18- 18" Length ² 21- 21" Length ² 24- 24" Length ² 33- 33" Length ² 42- 42" Length ²	Rated Wattage 5-5W, 9" Length ² 5- 5W, 12" Length ² 9-9W, 18" Length ² 9-9W, 21" Length ² 9- 9W, 24" Length ² 14-14W, 33" Length ² 18-18W, 42" Length ²	Driver Type 120D- 120V Dimming, Dims to 10% MV- 120-277V ¹	CRI 9 90+ CRI	Color Temp 30/40-3000-4000 Kelvin Dual color switch ²	Finish NS- Nickel Satin ^{1 2} ORB- Oil Rubbed Bronze ^{1 2} WH- White ²
Options						
Accessories						
RS- Rock Switch						
O- Convenience Outlit						

Specifications and Dimensions subject to change without notice.

Performance Summary

Input Voltage	120V
Input Frequency	50/60 Hz
Rated Wattage	See Performance Table
Delivered Lumens	See Performance Table
Efficacy	> 51.1 LPW (typ.)
CRI	93+, R9 > 0
Available CCT ¹	3000K,4000K
Color Consistency ²	5-step MacAdam Ellipse
Rated Life	50,000 hours
L70 ³	> 72,000 hours or > 45,000
Power Factor	>0.98
THD	< 20%
Dimming	120V Dimming (15-100%)
Operating Temp.	-18°C to 40°C (30°C in room temp. when on)

Performance Data

Lens Type	Form Factor	Catalog No.	Rated Wattage (W)	Delivered Lumens	Efficacy (lm/W)
Opal	3.5"	UCL-12-5-120D-930/40-WH	4.5	230	51.1
		UCL-18-9-120D-930/40-WH	9	460	51.1
		UCL-24-9-120D-930/40-WH	9	460	51.1
		UCL-42-18-120D-930/40-WH	18	900	50

NOTES:

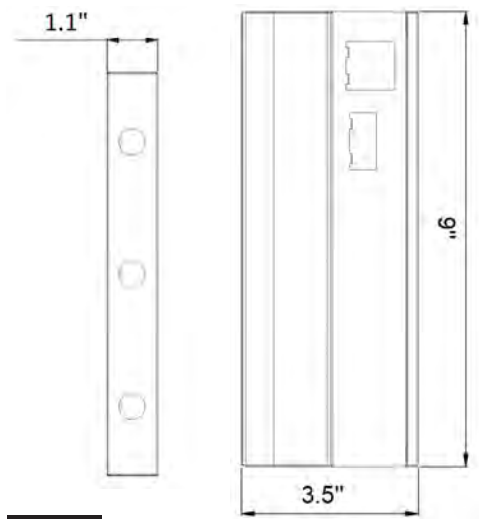
- ¹ Made to order items. Minimum 90 day lead time. Minimum 500 order quantity.
- ² Energy star listed
- ³ Quick ship: 3000K,4000K. Other CCTs may require a lead time or be special order
- ⁴ Typical color consistency. May vary or be changed.
- ⁵ L70 hours calculated based on LED package manufacturer LM80 report and ISTMT report of LED in luminaire. Stated values are for select catalog numbers. Contact manufacturer for detailed information
- ⁶ Actual performance may differ as a result of end-user environment and application. All values are design or typical values, measured under laboratory conditions at 25 °C.



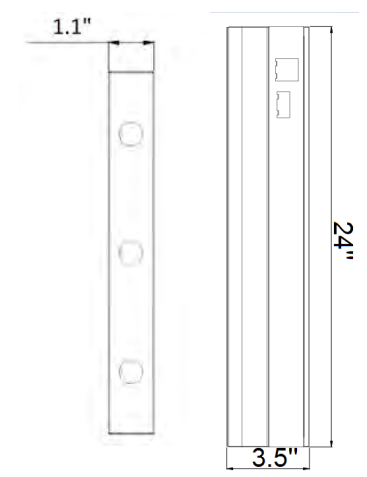
Specifications and Dimensions subject to change without notice.

Product Dimensions

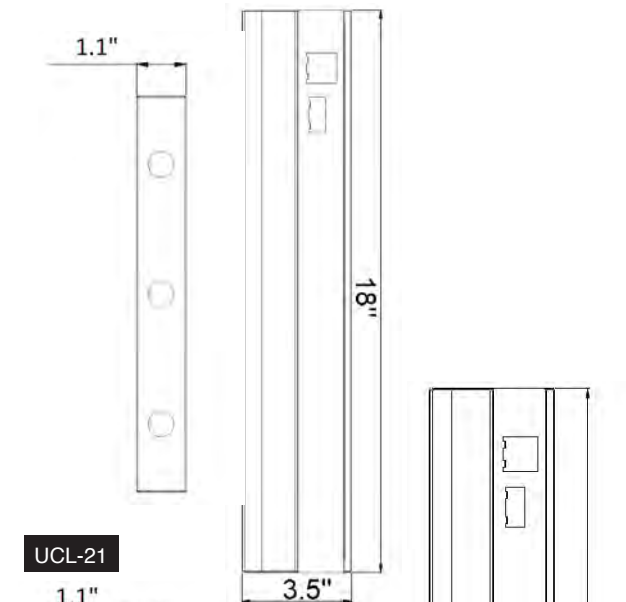
UCL-9



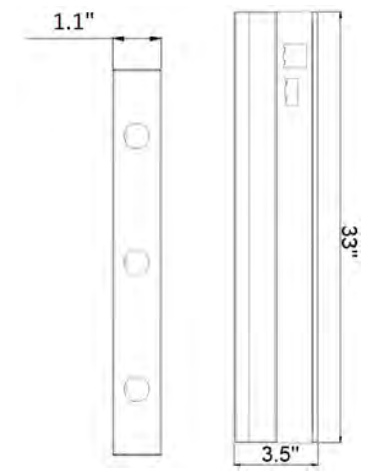
UCL-24



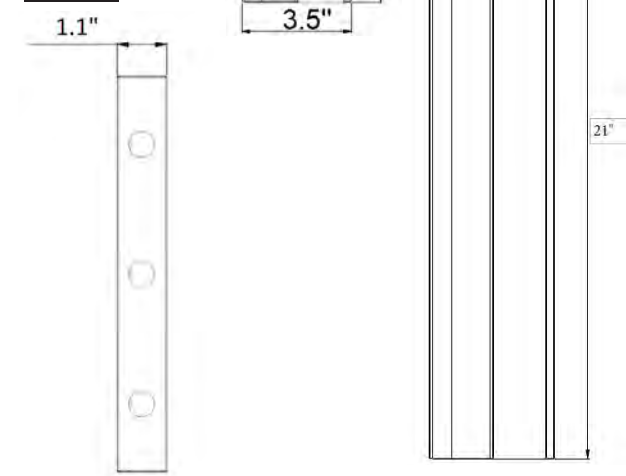
UCL-18



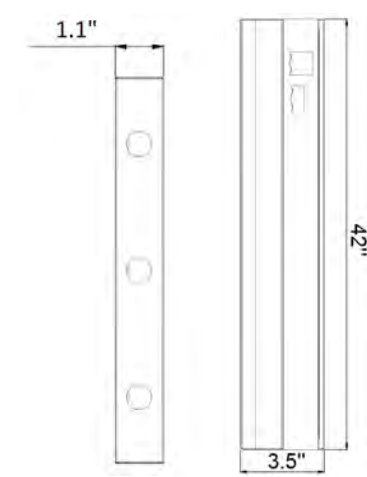
UCL-33



UCL-21



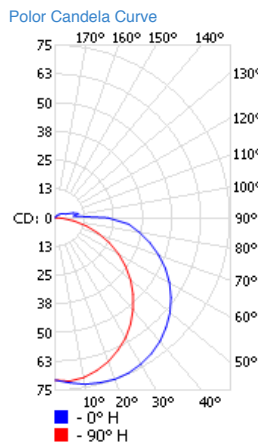
UCL-42



Specifications and Dimensions subject to change without notice.

Photometric Data

UCL-12-5-120D-930/40-WH Tested in accordance to IESNA LM-79



Zonal Lumen Summary

Zone	Lumens	% Lamp	% Luminaire
0-30	54.8	23.70%	23.70%
0-40	90.2	39%	39.10%
0-60	162.9	70.50%	70.50%
60-90	60.8	26.30%	26.30%
0-90	223.6	96.80%	96.80%

Coefficients of Utilization

Effective Floor Cavity Reflectance 20%

RCC %:	80				70				50			
	RW %:	70	50	30	0	70	50	30	0	50	30	
RCR: 0	1.18	1.18	1.18	1.18	1.15	1.15	1.15	0.97	1.09	1.09		
1	1.06	1.01	0.96	0.91	1.03	0.98	0.94	0.79	0.93	0.9		
2	0.96	0.87	0.8	0.73	0.93	0.85	0.78	0.65	0.81	0.75		
3	0.87	0.76	0.67	0.6	0.84	0.74	0.66	0.54	0.71	0.64		
4	0.8	0.67	0.58	0.51	0.77	0.65	0.57	0.46	0.62	0.55		
5	0.73	0.6	0.5	0.43	0.71	0.58	0.49	0.4	0.56	0.48		
6	0.67	0.54	0.44	0.38	0.65	0.52	0.44	0.35	0.5	0.42		
7	0.62	0.48	0.39	0.33	0.6	0.47	0.39	0.31	0.46	0.38		
8	0.58	0.44	0.35	0.29	0.56	0.43	0.35	0.28	0.42	0.34		
9	0.54	0.4	0.32	0.26	0.53	0.4	0.32	0.25	0.38	0.31		
10	0.51	0.37	0.29	0.24	0.49	0.37	0.29	0.23	0.35	0.28		



© 2019 GlobaLux Lighting, LLC. All rights reserved. For informational purposes only. Reproduction in whole or part is prohibited without prior written consent of the copyright owner. The information presented in this document does not form part of any quotation or contract, is believed to be accurate and reliable and may be changed without notice. No liability will be accepted by the publisher for any consequences of its use. GlobaLux Lighting reserves the rights make changes in specification at any time without notice.

GlobaLux Lighting LLC
 www.globaluxlighting.com
 2037 S. Vineyard Ave
 Ontario, CA 91761
 Ph: 909-591-7506